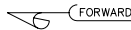
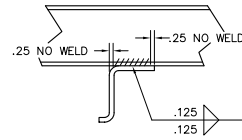


BOTTOM VIEW
BODY RAIL PLACEMENT



This Print remains the property of Hendrickson. All information contained thereon is confidential. It is loaned, subject to return on demand and on express condition that it is not to be copied or used directly or indirectly for any purpose other than the purpose for which it has been loaned to you.

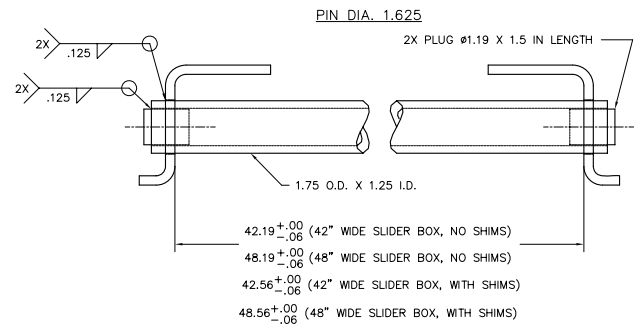
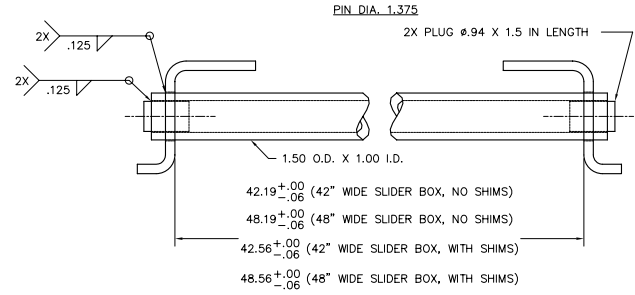
REAR END OF BODY RAILS SHOULD BE SECURED TO BUMPER OR TRAILER STRUCTURE PER TRAILER MANUFACTURERS REQUIREMENT.



TYPICAL BODY RAIL ATTACHMENT SECTION

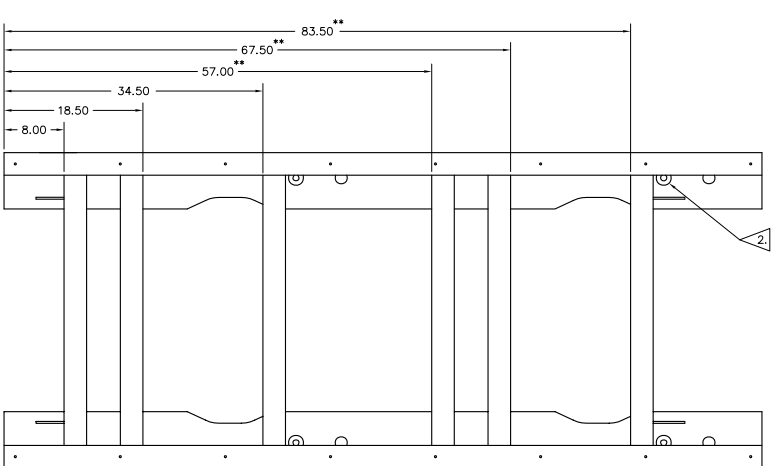
NOTES:

1. // // // // // DENOTES WELD AREA

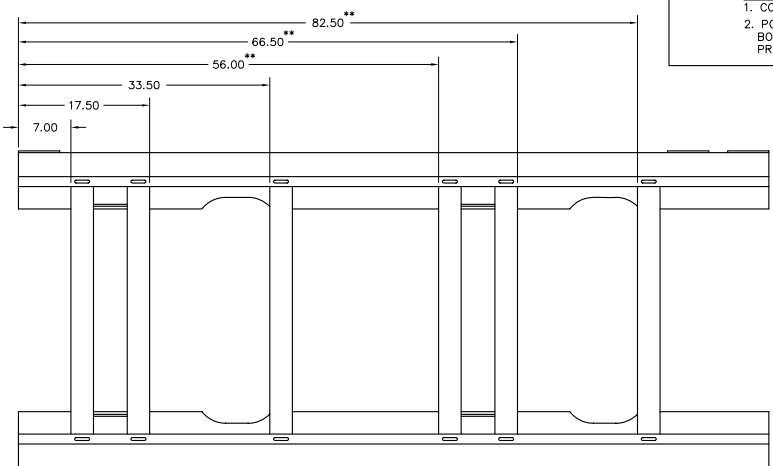
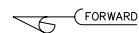


NOTES:

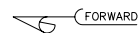
1. CONTROL SPACING OF BODY RAILS EVERY 48 INCHES.
2. POSITIVE STOPS MUST BE PROVIDED BY INSTALLER ON BOTH ENDS OF RAILS (LOCATE IN FIRST AND LAST HOLES). PROPOSED METHOD SHOWN ABOVE.



TOP VIEW (PIN DIA. 1.375)



TOP VIEW (PIN DIA. 1.625)



SLIDER BOX CROSSMEMBER LOCATIONS

INSTALLATION NOTES

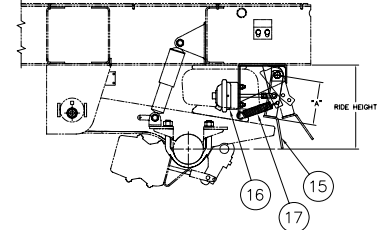
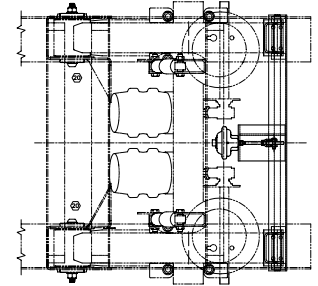
1. INSTALL UPPER RAILS AND POSITIVE STOPS AS SHOWN. RECOMMENDED PLACEMENT AND SIZE OF WELDS ATTACHING THE UPPER RAILS TO THE TRAILER CROSSMEMBERS IS GIVEN. THE SIZE AND PLACEMENT OF WELDS MAY VARY AND ARE THE RESPONSIBILITY OF THE TRAILER MANUFACTURER.
2. REMOVE THE WASHER (4X) FOR 14.5, 15, 16, 17, AND 19 INCH RIDE HEIGHTS.
3. BEFORE INSTALLING THE SUSPENSIONS ONTO THE SLIDER BOX, PLEASE REFER TO THE INSTALLATION INSTRUCTIONS (DOCUMENT L-577) AND SUSPENSION DRAWING.
4. LOOSEN THE BOLTS SECURING THE BODY RAIL CLIPS UNTIL THEY ARE APPROXIMATELY 1.25" OUT FROM THE SLIDER BOX. DO NOT REMOVE THE NUTS.
5. PULL ACTUATOR ARM OUT AND LOCK INTO PLACE.
6. POSITION SLIDER BOX ASSEMBLY UNDER THE TRAILER AND LOWER THE TRAILER ONTO THE SLIDER BOX ASSEMBLY.
7. POSITION BODY RAIL CLIPS WITH ADEQUATE CLEARANCE THEN TIGHTEN BOLTS TO 90-110 FT. LB.
8. RELEASE ACTUATOR ARM TO ENGAGE LOCKING PINS AND VISUALLY CHECK ALL LOCKING PINS FOR PROPER ENGAGEMENT. THE MAIN BODY OF ALL PINS MUST EXTEND THROUGH THE HOLES IN THE BODY RAILS.

** ADD 12.0 INCHES FOR 61.0 AXLE CENTERS OR
ADD 24.0 INCHES FOR 73.0 AXLE CENTERS

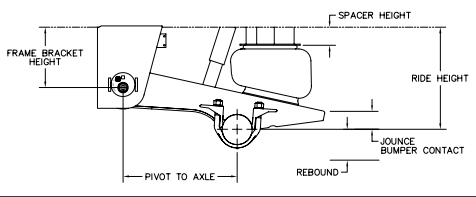
	UNLESS OTHERWISE NOTED:	20	1/12/07	COMP	11/19/07	DESIGN BY	J.C. GOYETTE	7-2-06	THIS DRAWING IS THE PROPERTY OF HENDRICKSON.
	TOLERANCES ARE:	19	1/15/03	SEP	4/2/07	DRAWN BY	J. SUKOSD		
	FRAMES ARE:	18	1/22/09	COMP	11/22/09	CHECK BY			OVERALL SLIDER ASSEMBLY
	AXES ARE:	17	1/20/08	T/C	3-22-08	DATE	TIM HESS		
DIMENSIONS REFER TO AXIS UNLESS SPECIFIED OTHERWISE									SCALE: 1.25=1.000 SHEET NO. D PAGE 2 OF 3

SLIDER BOX ASSEMBLY (FOR HTSS ENG. REF. ONLY)	14" RH WELDED-ALIGN	14" RH QUIK-ALIGN*	15-17" RH WELDED-ALIGN	15-17" RH QUIK-ALIGN*	19" RH QUIK-ALIGN*	OVERALL WIDTH	
CONFIGURATION	PART NO.	PART NO.	PART NO.	PART NO.	PART NO.	42" BOX	48" BOX
Ø1.37" LOCK PINS, WITH SHIMS	D-15089	D-15090	D-15085	D-15086	N/A	42.36"	48.36"
Ø1.37" LOCK PINS, NO SHIMS	D-15093	D-15124	D-15094	D-15123	D-15123	42.00"	48.00"

(ITEMS NOT SHOWN)		ITEM #20	
VALVE OPTION	PART NO.	QTY.	
MANUAL BYPASS	A-22535	1	
	L-730	1	
	A-22535	1	
	A-23588	1	
MANUAL BYPASS DUMP	A-24988	1	
	A-27360	1	
	A-27361	1	
	L-747	1	
SPECIALIZED AUTO DUMP	A-24053	1	
	A-27314-1	1	
	SA-2200-5	1	
	L-373	1	
MANUAL BYPASS & SPECIALIZED AUTO DUMP	A-24053	1	
	A-27314-1	1	
	SA-2200-5	1	
	A-22535	1	
NO VALVE	---	---	



	SUSPENSION RIDE HEIGHT					
	14	14.5	15	16	17	19
FRAME BRACKET HEIGHT	8.00	8.00	8.00	10.00	10.00	13.19
SPACER HEIGHT	0	.81	1.00	2.00	3.00	5.00
JOUCE (190T)	3.0	3.1	3.2	3.0	3.2	3.0
REBOUND (190T)	4.4	4.4	4.4	4.2	4.4	4.1
BUMPER CONTACT (190T)	2.6	2.7	2.8	2.6	2.8	2.5
JOUCE (230)	2.8	3.0	3.1	3.0	3.1	-
REBOUND (230)	5.1	5.0	5.0	4.8	5.0	-
BUMPER CONTACT (230)	2.3	2.5	2.7	2.5	2.7	-
PIVOT TO AXLE	19.40	19.20	19.00	19.40	19.00	19.42

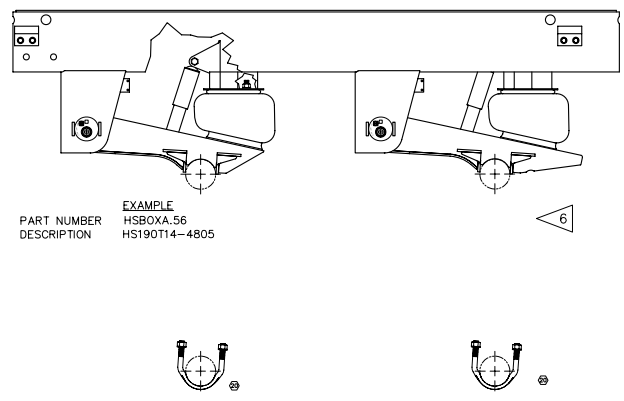


FRAME WIDTH		42"				48"			
ITEM	DESCRIPTION	14.00"	15.00"	16.00"	17.00"	14.00"	15.00"	16.00"	17.00"
15	RIDE HEIGHT LOCK ASS'Y	D-21443-1	D-21443-2	D-21766-1	D-21443-4	D-21443-5	D-21443-6	D-21766-5	D-21443-8
	RIDE HEIGHT LOCK ASSEMBLY "A" DIM	7.21	8.91	9.22	10.87	7.21	8.91	9.22	10.87

This Print remains the property of Hendrickson. All information contained thereon is confidential. It is loaned, subject to return on demand and on express condition that it is not to be copied or used directly or indirectly for any purpose other than the purpose for which it has been loaned to you.

BEAMS D-21736-1C & D-21736-2C REPLACE D-20000-1C & D-20000-2C IN REAR POSITION WHEN SURELOK® OPTION IS ORDERED.

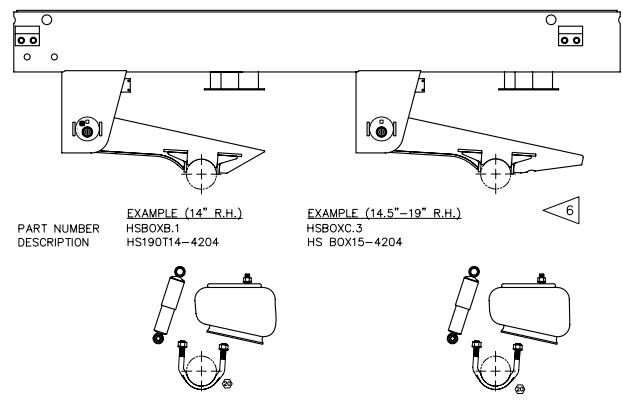
SET UP OPTION 05, 44, 45



EXAMPLE
PART NUMBER HSBOXA.56
DESCRIPTION HS190T14-4805

EXAMPLE
PART NUMBER A-21140
DESCRIPTION U-BOLT KIT

SET UP OPTION 04



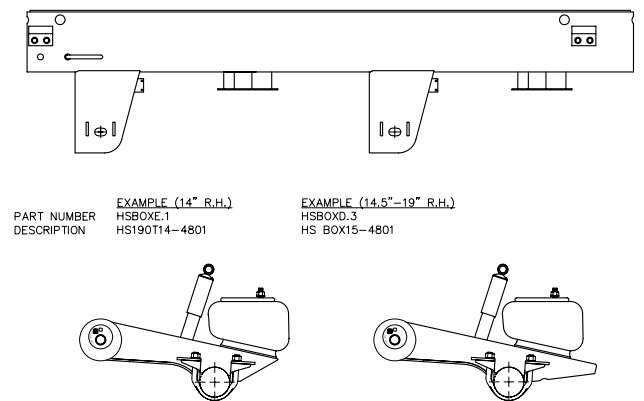
EXAMPLE (14" R.H.)
PART NUMBER HSBOXB.1
DESCRIPTION HS190T14-4204

EXAMPLE (14.5"-19" R.H.)
PART NUMBER HSBOXC.3
DESCRIPTION HS BOX15-4204

EXAMPLE
PART NUMBER PARTSV.1
DESCRIPTION HS PARTS 190T

SET UP OPTION 01

SLIDER BOX STYLE 2, 5, & 8 ONLY AVAILABLE WITH SET UP OPTION 01.



EXAMPLE (14" R.H.)
PART NUMBER HSBOXE.1
DESCRIPTION HS190T14-4801

EXAMPLE (14.5"-19" R.H.)
PART NUMBER HSBOXD.3
DESCRIPTION HS BOX15-4801

EXAMPLE
PART NUMBER HTSUSPA.1
DESCRIPTION HT SUSP HT190T 4 01