

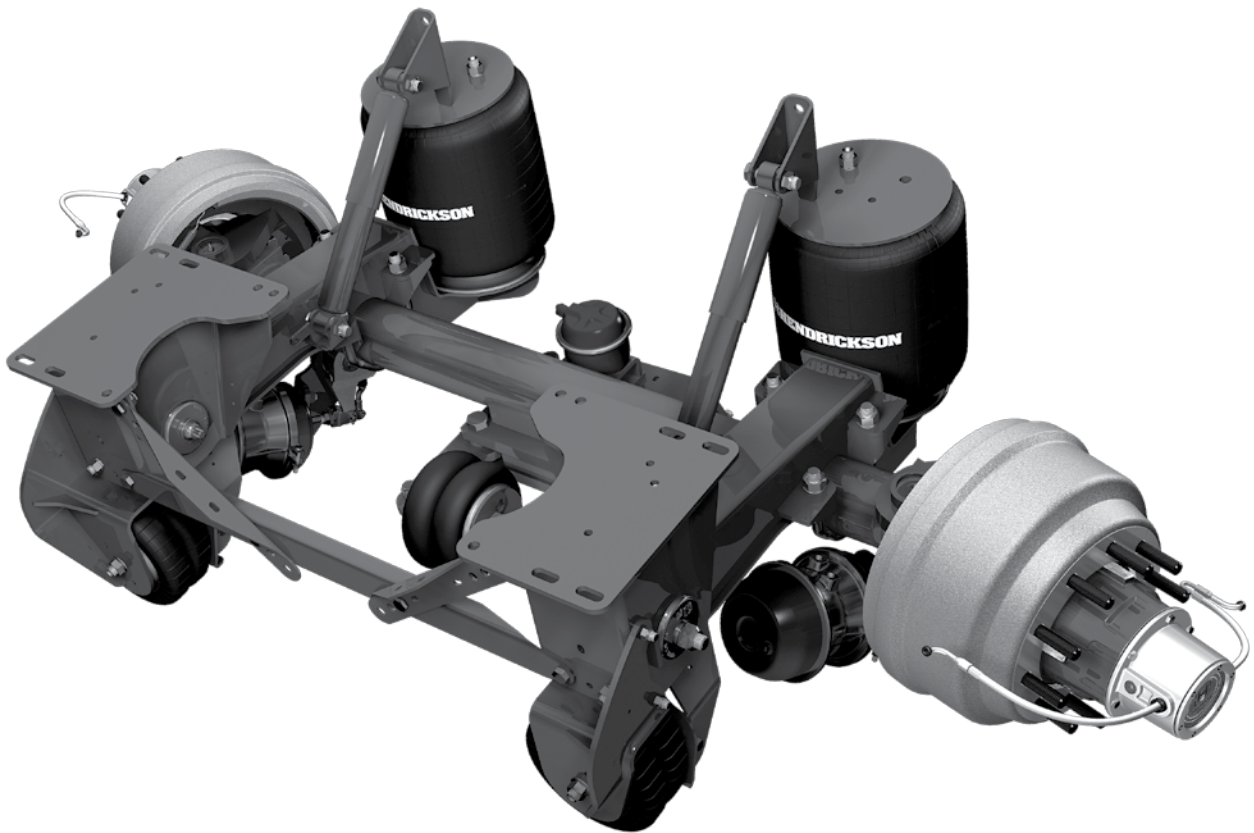
H PARTS LIST

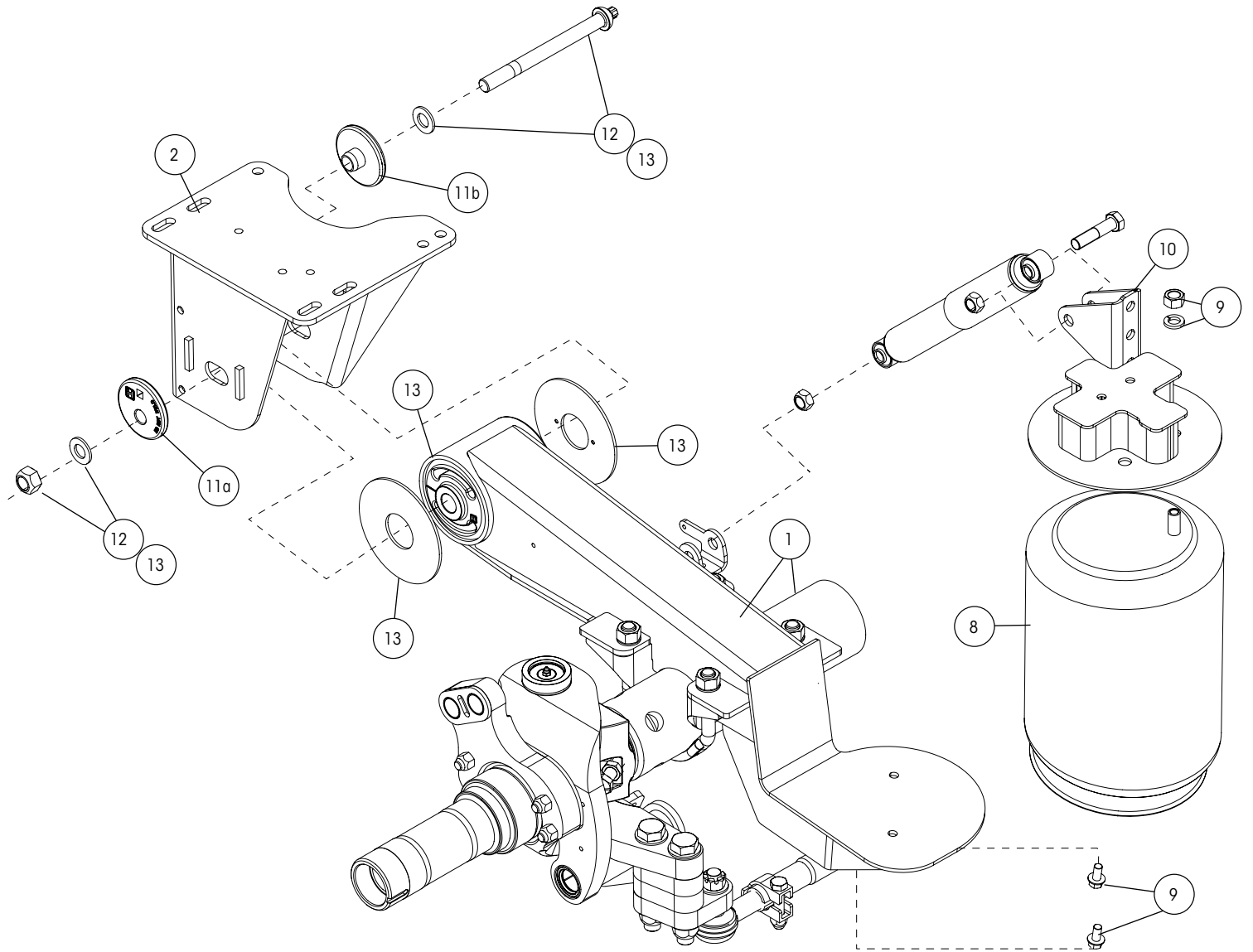
CONNEX™-ST CXSL 25K

LIT NO: L1277

DATE: May 2017

REVISION: -







ITEM	DESCRIPTION	PART NO.	QTY.	NOTE
1	AXLE / BEAM WELDMENT		1	Contact Hendrickson for assistance
2	FRAME BRACKET¹		2	See L1266 Frame Bracket Parts List
3	FRAME BRACKET GUSSET (Not Shown)	S-27730	2	
4	BOLT-ON C-CHANNEL KIT² (Not Shown)			Includes: c-channel, 2 struts and strut bolt kit
	28.5" beam center	S-31901-6C	1	Standard/black primer
	30.0" beam center	S-31901-7C	1	Standard/black primer
	32.5" beam center	S-31901-8C	1	Standard/black primer
	36.0" beam center	S-31901-10C	1	Standard/black primer
	36.5" beam center	S-31901-5C	1	Standard/black primer
	37.5" beam center	S-31901-11C	1	Standard/black primer
	38.5" beam center	S-31901-12C	1	Standard/black primer
	39.5" beam center	S-31901-13C	1	Standard/black primer
5	STRUT² (Not Shown)	B-30591	2	
6	STRUT BOLT KIT (Not Shown)	S-30720	1	Includes: 6 screws and 6 prevailing torque nuts
7	WELD-ON C-CHANNEL (Not Shown)			
	25.5" - 32.5" beam centers	A-1631-16	1	
	36.0" - 39.5" beam centers	A-1631-19	1	
8	AIR SPRING			
	Standard	S-20124	2	
	Low Pressure	S-20127	2	
9	AIR SPRING MOUNTING KIT	S-20033/2	2	Includes: 2 flanged screws, 1 hex nut and 1 lock washer
10	AIR SPRING SHOCK MOUNT³			
	13" - 14" ride height	S-36248-L/-R	1	
	15" ride height	S-36248-1L/-1R	1	
	16" ride height	S-36248-2L/-2R	1	
	17" ride height	S-36248-3L/-3R	1	
	18" ride height	S-36248-4L/-4R	1	
	19" ride height	S-36248-5L/-5R	1	
11	ALIGNMENT COLLARS			
	11a Eccentric	S-20925	2	Pivot bolt hole is offset from center of collar
	11b Concentric	S-20924	2	Pivot bolt hole is in center of collar
12	QUIK-ALIGN® PIVOT BOLT KIT⁴	S-24679	2	Includes: 10" bolt, hex nut and 2 hardened washers
13	TRI-FUNCTIONAL® BUSHING KIT^{4,5}	S-24691	2	Includes: 1 TRI-FUNCTIONAL Bushing, 1 pivot bolt kit, 2 bushing tube spacers and lube packet

1. Options exist based on frame attachment, frame bracket style, bolt hole pattern and connection. Contact Hendrickson for assistance or refer to L1266 Frame Bracket Parts List.

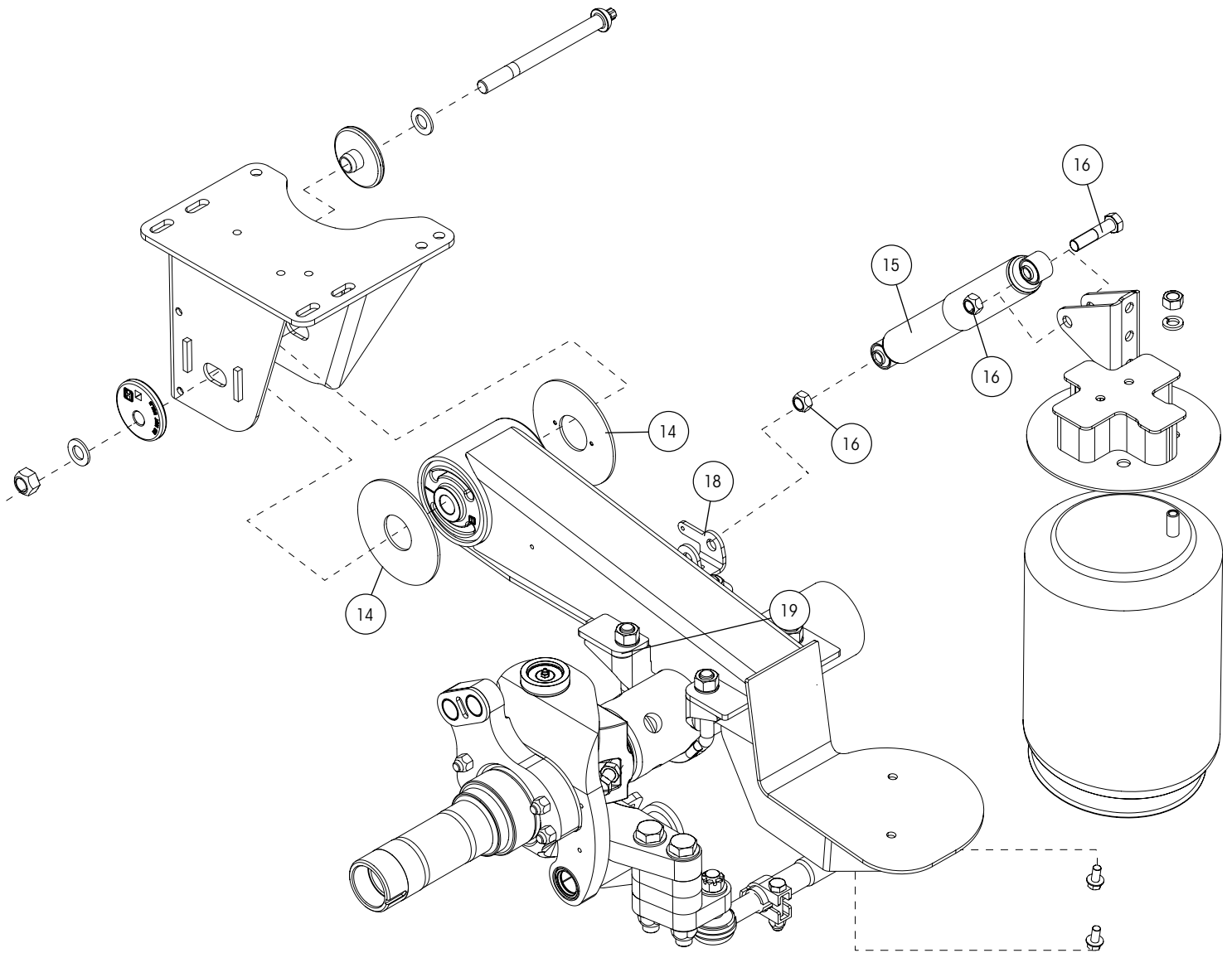
2. Struts are only optional for bolt-on frame brackets. Other options exist for galvanized or different track widths.

3. Other options exist for galvanized. Contact Hendrickson for assistance.

4. Best installed with Hendrickson's E-20 socket S-24536 (1-inch drive sleeveless), S-25119 (1-inch drive sleeve) or S-24303 (3/4-inch drive sleeveless).

5. Bushing tool S-21307 is required to correctly rebush the suspension.

Note: Identification tag can be found on the inside of the curbside beam.





ITEM	DESCRIPTION	PART NO.	QTY.	NOTE
14	BUSHING TUBE SPACERS	S-21099	4	
15	SHOCK ABSORBER	S-2212	2	Standard
16	SHOCK BOLT KIT	S-20031/2	2	(1) One kit per shock
17	SHOCK STRAP KIT (Not Shown)	S-14587-3	1	Includes: 4 nylon ties and 2 shock straps
18	LOWER SHOCK CLEVIS ⁶	S-20069	2	
19	U-BOLT KIT	S-21140/4	4	Includes: 1 stepped u-bolt and hardware

6. Lower shock clevis is included with beam assembly.

Call Hendrickson at **330.489.0045** or **866.RIDEAIR (743.3247)** for additional information.



www.hendrickson-intl.com

TRAILER COMMERCIAL VEHICLE SYSTEMS

2070 Industrial Place SE
Canton, OH 44707-2641 USA
866.RIDEAIR (743.3247)
330.489.0045 • Fax 800.696.4416

Hendrickson Canada

250 Chrysler Drive, Unit #3
Brampton, ON Canada L6S 6B6
800.668.5360
905.789.1030 • Fax 905.789.1033

Hendrickson Mexicana

Circuito El Marqués Sur #29
Parque Industrial El Marqués
Pob. El Colorado, Municipio El Marqués,
Querétaro, México C.P. 76246
+52 (442) 296.3600 • Fax +52 (442) 296.3601