



TOP-MOUNT SPECIFICATIONS

AANT 23K / AAT 23K / AAT 25K
AAT 30K / AAEDT 30K

LIT NO: L600

DATE: October 2018

REVISION: J

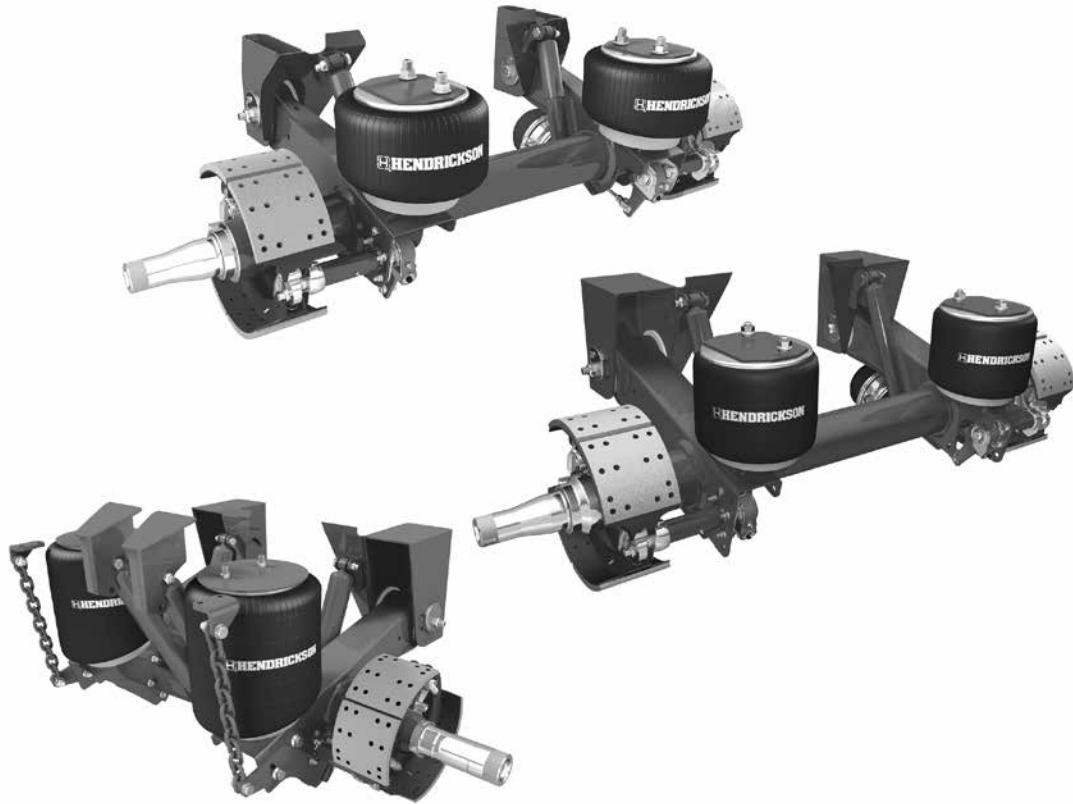


TABLE OF CONTENTS

APPLICATIONS	2-4
SPECIFICATIONS	
Suspensions — AANT 23K / AAT 23K / AAT 25K / AAT 30K / AAEDT 30K	2-4
Frame Bracket Options	5
Axle	5
Brake Options	5
Brake Chambers	5
Brake Adjusters	5
RTR® READY-TO-ROLL®	5
Height Control Valve Kits	5
Lift Mechanism	5
Notes	6

**APPLICATIONS****AANT 23K****AAT 23K**

*CAPACITY	23,000 lbs. (10 400 kg)		23,000 lbs. (10 400 kg)	
TRAILER TYPES	UNITED STATES & CANADA	MEXICO, CENTRAL & SOUTH AMERICA	UNITED STATES & CANADA	MEXICO, CENTRAL & SOUTH AMERICA
	Container Chassis	None	Container Chassis	None
	Platform		Platform	
	Dump — Bottom Discharge		Dump — Bottom Discharge	
	Tanker		Tanker	
	Grain		Grain	
	Pup		Pup	
	Dolly		Dolly	
AXLE DATA	5.75-inch LDA™ Large-Diameter Axle			
AXLE ARRANGEMENT	Single; tandem up to 122-inch maximum spacing Tri- or quad-axle up to 144-inch maximum total spacing			
FRAME TYPES	Steel, aluminum or composite; 96- or 102-inch wide trailers			
BASE MODEL DESCRIPTION	INTRAAX® top-mount suspension, 14-inch ride height, weld-on and winged frame brackets with QUIK-ALIGN®, 71.5-inch axle track, HN spindles, standard shock absorbers, 16.5 × 7-inch brakes with Abex 3030-197 brake lining and ABS brackets. Cam Tube System™ standard.			
BASE MODEL WEIGHT	490 lbs.		528 lbs.	
OTHER OPTIONS	Additional options include wingless and bolt-on frame brackets, extended-service / high-damping shock absorbers, shock straps and HIGH CONTROL. Ride heights ranging from 12 to 19 inches, as well as choices for 77.5-inch axle track, HP spindles and dust shields. Contact your Hendrickson representative to discuss these and other options such as a variety of RTR® READY-TO-ROLL® wheel-end packages and brake options including Hendrickson MAXX22T™ optimized trailer air disc brake. ZMD® ZERO MAINTENANCE DAMPING® ride technology available on select models.			

*Capacity refers to suspension and axle ratings. Ratings for brakes and wheel-end components differ depending upon options chosen.

SPECIFICATIONS**SUSPENSION — AANT 23K¹**

RIDE HEIGHT (inches)	JOUNCE (inches)	REBOUND² (inches)
12	3.1	4.1
13.5	3.1	5.6
14	3.6	5.1
15	3.6	4.1
16	3.6	4.9
17	3.7	3.9

SUSPENSION — AAT 23K

RIDE HEIGHT (inches)	JOUNCE (inches)	REBOUND² (inches)
13.5	3.1	5.4
14	3.6	4.9
15	3.7	3.9
16	3.8	4.8
17	3.8	3.8

1. For weld-on frame bracket only

2. Limited rebound is also available



APPLICATIONS



AAT 25K



AAT 30K

*CAPACITY	25,000 lbs. (11 300 kg)		30,000 lbs. (13 600 kg) 25,000 lbs. axle (11 300 kg)	
TRAILER TYPES	UNITED STATES & CANADA	MEXICO, CENTRAL & SOUTH AMERICA	UNITED STATES & CANADA	MEXICO, CENTRAL & SOUTH AMERICA
	Platform	Van / Reefer	Platform	Van / Reefer
	Dump	Container Chassis	Dump	Platform
	Tanker	Platform		Grain
	Grain	Grain		Tanker
		Dump		Dump
		Pup		
	Dolly			
AXLE DATA	5.75-inch LDA™ Large-Diameter Axle			
AXLE ARRANGEMENT	Single; tandem up to 122-inch maximum spacing Tri- or quad-axle up to 144-inch maximum total spacing			
FRAME TYPES	Steel, aluminum or composite; 96- or 102-inch wide trailers			
BASE MODEL DESCRIPTION	INTRAAX® top-mount suspension, 14-inch ride height, weld-on and winged frame brackets with QUIK-ALIGN®, 71.5-inch axle track, HN spindles, standard shock absorbers, 16.5 × 7-inch brakes with Abex 3030-197 brake lining and ABS brackets. Cam Tube System™ standard.			
BASE MODEL WEIGHT	551 lbs.		555 lbs.	
OTHER OPTIONS	Additional options include wingless and bolt-on frame brackets, extended-service /high-damping shock absorbers, shock straps and HIGH CONTROL. Ride heights ranging from 12 to 19 inches, as well as choices for 77.5-inch axle track, HP spindles and dust shields. Contact your Hendrickson representative to discuss these and other options such as a variety of RTR® READY-TO-ROLL® wheel-end packages and brake options including Hendrickson MAXX22T™ optimized trailer air disc brake.			

*Capacity refers to suspension and axle ratings. Ratings for brakes and wheel-end components differ depending upon options chosen.

SPECIFICATIONS

SUSPENSION — AAT 25K

RIDE HEIGHT (inches)	JOUNCE (inches)	REBOUND ¹ (inches)
13.5	2.9	5.4
14	3.4	4.9
15	3.6	3.9
16	3.6	4.8
17	3.6	3.8

SUSPENSION — AAT 30K

RIDE HEIGHT (inches)	JOUNCE (inches)	REBOUND ¹ (inches)
13.5	2.9	5.4
14	3.4	4.9
15	3.6	3.9
16	3.6	4.8
17	3.6	3.8

¹Limited rebound is also available.

**APPLICATIONS****AAEDT 30K
(Extreme-Duty)**

*CAPACITY	30,000 lbs. (13 600 kg)	
TRAILER TYPES	UNITED STATES & CANADA	MEXICO, CENTRAL & SOUTH AMERICA
	Logger	Platform
	Chip Van	Tanker
	Dump	Grain
		Dump
		Logger
		Sugar Cane
AXLE DATA	5-inch	
AXLE ARRANGEMENT	Single; tandem up to 122-inch maximum spacing Tri- or quad-axle up to 144-inch maximum total spacing	
FRAME TYPES	Steel, aluminum or composite; 96- or 102-inch wide trailers	
BASE MODEL DESCRIPTION	INTRAAX® top-mount suspension, 14-inch ride height, weld-on and winged frame brackets with QUIK-ALIGN®, 71.5-inch axle track, HN spindles, standard shock absorbers, 16.5 × 7-inch brakes with Abex 3030-197 brake lining and ABS brackets. Cam Tube System™ standard.	
BASE MODEL WEIGHT	682 lbs.	
OTHER OPTIONS	Additional options include wingless and bolt-on frame brackets, extended-service / high-damping shock absorbers, shock straps and HIGH CONTROL. Ride heights ranging from 12 to 19 inches, as well as choices for 77.5-inch axle track, HP spindles and dust shields. Contact your Hendrickson representative to discuss these and other options such as a variety of RTR® READY-TO-ROLL® wheel-end packages and brake options including Hendrickson MAXX22T™ optimized trailer air disc brake.	

*Capacity refers to suspension and axle ratings, except where noted. Ratings for brakes and wheel-end components differ depending upon options chosen.

SPECIFICATIONS**SUSPENSION — AAEDT 30K**

RIDE HEIGHT (inches)	JOUNCE (inches)	REBOUND¹ w/ FRONT SHOCK (inches)	REBOUND¹ w/ REAR SHOCK (inches)
14	3.1	4.3	3.8
15	3.5	3.8	3.5
16	3.9	4.9	4.6
17	4.9	3.9	3.6

¹Limited rebound is also available.



BEARINGS

SPINDLE TYPE	TUBE O.D. (inches)	BEARINGS			
		INNER CONE	OUTER CONE	INNER CUP	OUTER CUP
HN	5.75	HM218248	HM212049	HM218210	HM212011
HP	5.0	HM518445	HM518445	HM518410	HM518410
	5.75				

HENDRICKSON MAXX22T™

Featuring WABCO brake technology, Hendrickson’s trailer air disc brake system is specifically designed to optimize performance for North American trailer applications. This premium offering features additional options that include the lightweight Dura-Light Hub®, TIREMAAX®, and RTR® READY-TO-ROLL® wheel-end packages. Refer to L1239 MAXX22T™ Flyer for more information.

RTR® READY-TO-ROLL®

Choose from a broad mix of offerings to customize running gear for your specific application. Wheel-end options consist of aluminum, ductile iron or Dura-Light Hub® in a variety of standard and extended service wheel-end packages.

FRAME BRACKET OPTIONS

INTRAAX® suspensions have a wide array of frame bracket options; weld-on, bolt-on, side-mount bolt-on, etc. Some of these options are available for specific trailer applications and ride heights. When inquiring about specific frame bracket options, please work with your customer service representative.

ZMD® ZERO MAINTENANCE DAMPING®

ZMD is an innovative ride solution that is offered exclusively through Hendrickson. ZMD ride technology eliminates the shock absorbers by integrating the damping function into the patented air springs. Refer to L1209 ZMD Flyer and L1212 ZMD FAQ for more information.

BRAKE OPTIONS

For complete details of the wide range of brake options available including lining choices, brake ratings and FMVSS / CMVSS 121 brake certifications, refer to L809 Brake Certifications.

BRAKE CHAMBERS

Industry standard brake chambers with pushrod length of 9.75 inches and clamping / port orientation of zero degrees are compatible with all standard-duty (AAT) models. A pushrod length of 5.63-inches and clamping / port orientation of zero degrees is required for the extreme-duty (AAEDT) model.

BRAKE ADJUSTERS

Industry standard 5.5- and 6-inch brake adjusters are compatible.

HEIGHT CONTROL VALVE KITS

For complete details of available height control valve kits refer to L1182 Control Parts Catalog.

LIFT MECHANISM

UBL™ UNDER BEAM LIFT™ and air controls sold separately. Refer to L727 UBL UNDER BEAM LIFT flyer for more information.

*Call your trailer dealer or Hendrickson at **330.489.0045** or **866.RIDEAIR (743.3247)** for additional information.*



www.hendrickson-intl.com

TRAILER COMMERCIAL VEHICLE SYSTEMS

2070 Industrial Place SE
Canton, OH 44707-2641 USA
866.RIDEAIR (743.3247)
330.489.0045 • Fax 800.696.4416

Hendrickson Canada

250 Chrysler Drive, Unit #3
Brampton, ON Canada L6S 6B6
800.668.5360
905.789.1030 • Fax 905.789.1033

Hendrickson Mexicana

Circuito El Marqués Sur #29
Parque Industrial El Marqués
Pob. El Colorado, Municipio El Marqués,
Querétaro, México C.P. 76246
+52 (442) 296.3600 • Fax +52 (442) 296.3601