

PARTS LIST

COMFORT AIR® Single Rear Air Suspension for Blue Bird Buses

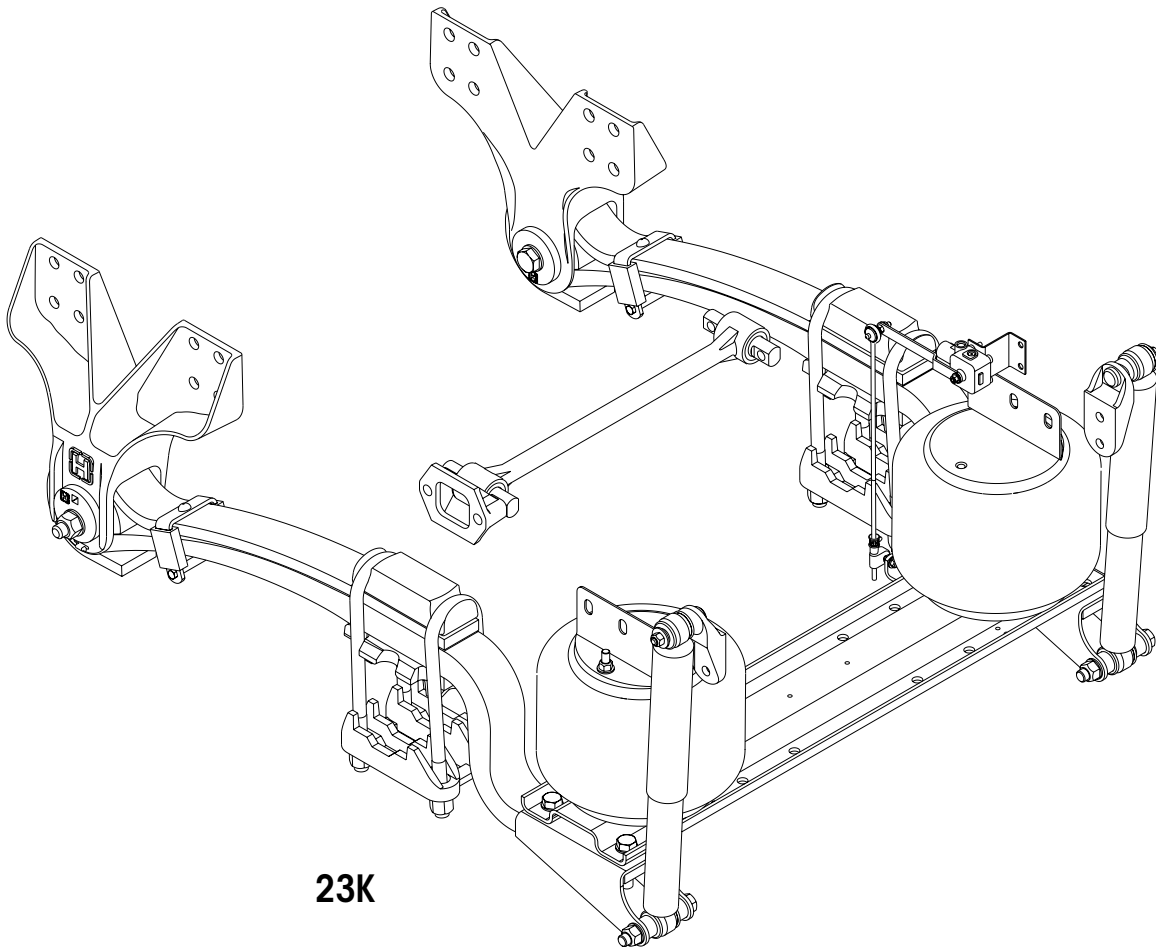
LIT NO: SP-173

DATE: July 2019

REVISION: G

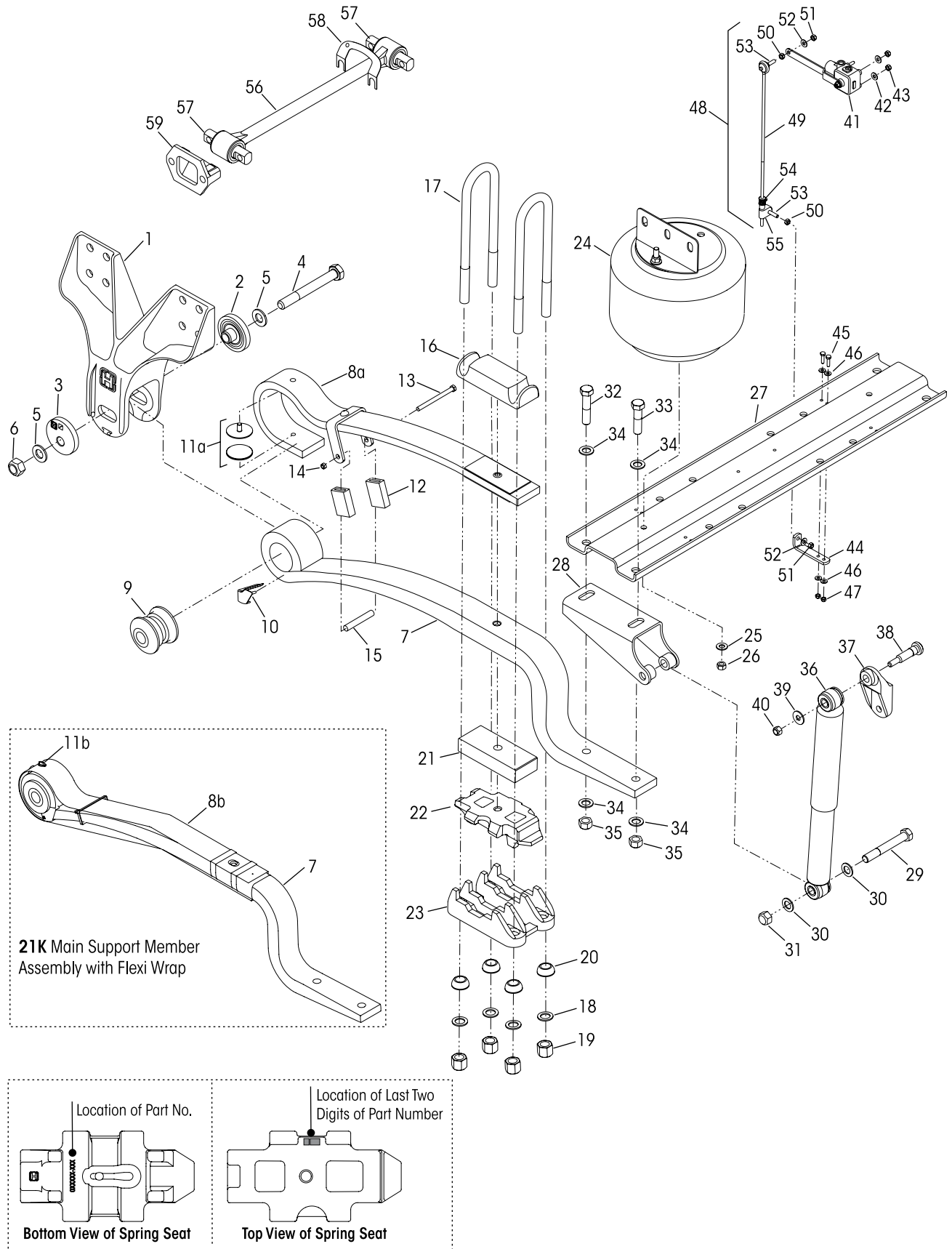
CONTENTS

| DESCRIPTION | PAGE |
|---------------------|------|
| Parts Lists | 2 |
| Special Tools | 4 |





■ 21K • 23K





| KEY NO. | PART NO. | DESCRIPTION | VEHICLE QTY. | KEY NO. | PART NO. | DESCRIPTION | VEHICLE QTY. |
|---------|------------|--|--------------|---------|------------|--|--------------|
| 1 | 60784-000 | Frame Hanger | 2 | 23 | 50216-000 | Axle Bottom Cap | 2 |
| | 60632-038 | QUIK-ALIGN® Pivot Bushing & Collar Service Kits | | | | Meritor RS21-145 - 0-9½° Pinion Angle LH/RH, | |
| | 60632-044 | Axle Set , Includes Key Nos. 2-6, 9, 11a, 60 | | | | Meritor RC23-160 - Negative 0-9½° Angle LH/RH | |
| | | QUIK-ALIGN Pivot Bushing Service Kit, One Side | | 24 | | Air Spring Assembly, Includes Upper Bracket | 2 |
| | 34013-103 | Includes Key Nos. 4-6, 9, 11a, 60 | | | | and Fasteners | |
| | 34013-322 | Includes Key Nos. 4-6, 9, 60 | | | 60925-002 | 21K • 23K | |
| | 60632-013 | QUIK-ALIGN Collar Service Kit, Axle Set , | | | 60929-002 | Front Engine, 21K • 23K | |
| | | Includes Key Nos. 2-6, <i>Replaces 60632-001</i> | | | 49177-006 | Lower Air Spring Fastener Service Kit, Axle Set | |
| 2 | | *QUIK-ALIGN Concentric Collar | 3 | | | Includes Key Nos. 25-26 | |
| 3 | | *QUIK-ALIGN Eccentric Collar | 1 | 25 | 22962-014 | ½" Flat Washer | 2 |
| | 60632-018 | QUIK-ALIGN Fastener Service Kit, One Side , | | 26 | 17700-010 | ½"-13 UNC Nylocknut | 2 |
| | | Includes Key Nos. 4-6 | | 27 | | Cross Channel – 40" Axle Dowel Pin Centers | 1 |
| 4 | | *1"-14 UNF x 7½" Bolt, <i>Replaces 64107-000</i> | 2 | | 57317-001 | Standard | |
| 5 | | *1" Hardened Washer, <i>Replaces 22962-035</i> | 4 | | 64399-001 | For Differential Relief | |
| 6 | | *1"-14 UNF Locknut, <i>Replaces 64108-000</i> | 2 | | 67156-001 | Square Tube for Rear Engine, Propane | |
| | | Main Support Assembly | 2 | | 57356-000 | Lower Shock Bracket Assembly, | 2 |
| | 82433-000 | 23K, Includes Key Nos. 7, 8a, 9-10, 11a, 12-15 | | | | Includes Key Nos. 28-31 | |
| | 82432-000 | 21K, Includes Key Nos. 7, 8b, 9, 11b, 12 | | 28 | 57355-000 | Lower Shock Bracket | 2 |
| 7 | | *Main Support Member | 2 | 29 | 50764-002 | ¾"-10 UNC x 5½" Bolt | 2 |
| 8 a | | *23K, Secondary Leaf | 2 | 30 | 22962-001 | ¾" Hardened Washer | 4 |
| b | | *21K, Flexi Wrap, Includes Key No. 11b | 2 | 31 | 49842-000 | ¾"-10 UNC Locknut | 2 |
| 9 | 58648-000L | QUIK-ALIGN Pivot Bushing | 2 | | 50763-004 | Cross Channel Fastener Service Kit, Axle Set , | |
| 10 | 60392-000 | Spring Eye Clip | 2 | | | Includes Key Nos. 32-35 | |
| | 49175-026 | Spring Eye Clip Fastener Service Kit, One Side , | | 32 | 50764-003 | ¾"-10 UNC x 3½" Bolt | 2 |
| | | Includes Key Nos. 11a, 12-15 | | 33 | 50764-005 | ¾"-10 UNC x 3" Bolt | 2 |
| 11 a | 64817-000 | 23K, Plastic Isolator Puck | 4 | 34 | 22962-001 | ¾" Hardened Washer | 8 |
| b | 59770-000 | 21K, Rubber Isolator Pad | 4 | 35 | 49842-000 | ¾"-10 UNC Locknut | 4 |
| 12 | 64272-000 | Spring Eye Clip Sleeve | 4 | 36 | 60998-003L | Shock Absorber, <i>Replaces 60998-001</i> | 2 |
| 13 | 37042-006 | ¾"-14 UNC Bolt, <i>Replaces 37042-002</i> | 2 | 37 | 67463-002 | Upper Shock Bracket | 2 |
| 14 | 37587-000 | ¾"-14 UNC Locknut | 2 | 38 | 50764-010 | ¾"-10 UNC Serrated Shank Bolt | 2 |
| 15 | | *Clip Bolt Spacer | 2 | 39 | 22962-001 | ¾" Hardened Washer | 2 |
| 16 | 56805-000 | Top Pad | 2 | 40 | 49842-000 | ¾"-10 UNC Locknut | 2 |
| | | U-bolt Service Kit, Axle Set | | | 59013-000 | Single Height Control Valve Service Kit , | |
| | 48718-023 | 21K, 23K w/o Tire Chains, Includes Key | | 41 | | Includes Key Nos. 41-43 | |
| | | Nos. 17a, 18-20 | | 42 | | *Height Control Valve | 1 |
| | 48718-002 | 23K, Includes Key Nos. 17b, 18-20 | | 43 | | *¾" Hardened Washer | 2 |
| | 48718-103 | 21K, 23K w/o Tire Chains, Includes Key | | | | *¾"-20 UNC Locknut | 2 |
| | | Nos. 17c, 18-20 | | | | HCV Linkage Lower Bracket Service Kit | |
| | 48718-152 | 23K, Includes Key Nos. 17d, 18-20 | | | 57430-000 | All Except Rear Engine, Includes Key Nos. 44a-47 | |
| 17 | | ¾"-14 UNF U-bolt | 4 | | 57430-003 | Rear Engine Only, Includes Key Nos. 44b-47 | |
| a | 47417-007 | 15" | | 44 | | HCV Linkage Bracket | 1 |
| b | 47417-001 | 16¼" | | a | 56789-000 | All Except Rear Engine | |
| c | 47417-004 | 17¼" | | b | 58367-000 | Rear Engine | |
| d | 47417-009 | 18" | | 45 | 56935-001 | ¼"-20 UNC x 1¼" Bolt | 2 |
| 18 | 22962-002 | ¾" Hardened Flat Washer | 8 | 46 | 22962-028 | ¼" Hardened Washer | 4 |
| 19 | 50765-000 | ¾"-14 UNF U-bolt Locknut | 8 | 47 | 49983-000 | ¼"-20 UNC Locknut | 2 |
| 20 | 48574-000 | Spherical Washer | 8 | 48 | 58994-XXX | HCV Linkage Assembly, Specify Length | 1 |
| 21 | | Spacer | As Req. | | | Includes Key Nos. 49-55 | |
| | 48531-014 | 1½" | | 49 | | *HCV Linkage Rod | 1 |
| | 76863-000 | 2½" | | 50 | | *5/16"-18 UNC Jam Nut | 2 |
| 22 | | Spring Seat | 2 | 51 | | *5/16"-18 UNC Locknut | 2 |
| | 57022-010 | Meritor RS15-120 - 4½° Pinion Angle LH / RH | | 52 | | *5/16" Hardened Washer | 2 |
| | | Meritor RS21-145, RS23-160 | | 53 | | *5/16"-18 UNC Stud | 2 |
| | 56501-001 | 2° Pinion Angle LH/RH, 8.5" Ride Height | | 54 | | *Valve Arm Clamp | 1 |
| | 56501-002 | 2.5° Pinion Angle LH/RH | | 55 | | *Adjustable Valve Arm Joint | 1 |
| | 56501-006 | 4.5° Pinion Angle LH/RH, 8.5" Ride Height | | 56 | 62000-XXX | Transverse Torque Rod Assembly, Specify Length | 1 |
| | 56501-009 | 6° Pinion Angle LH/RH | | 57 | 47691-000L | Torque Rod Bushing | 2 |
| | 56501-020 | 4.5° Pinion Angle LH/RH, 10.5" Ride Height | | 58 | 49689-000L | Torque Rod Shim | As Req. |
| | 56501-021 | 0° Pinion Angle LH/RH | | 59 | 22186-000 | Transverse Torque Rod Frame Bracket | 1 |
| | 56501-022 | 2° Pinion Angle LH/RH, 10.5" Ride Height | | 60 | 70867-001 | P-80 Lubricant - 10 ml (Not Shown) | As Req. |
| | | Meritor RC23-160 | | | | | |
| | 56501-020 | Negative 4.5° Pinion Angle LH/RH | | | | | |

NOTE: * Item included in kit/assembly only, part not sold separately.

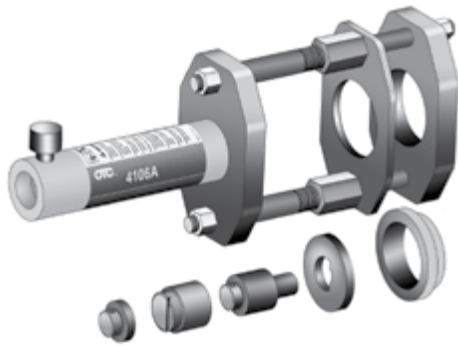


■ Special Tools

D-PIN / QUIK-ALIGN PIVOT BUSHING SERVICE TOOLS

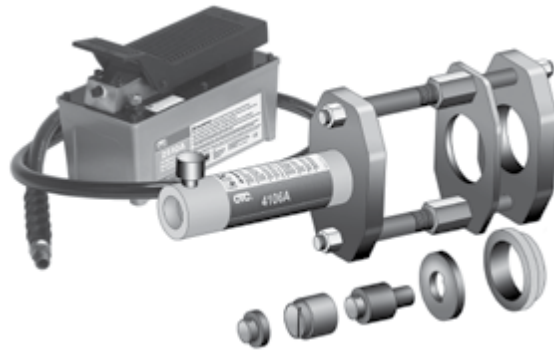
Hendrickson Part No. 66086-202

OTC Part No. 4246 Visit otctools.com



Hendrickson Part No. 66086-204

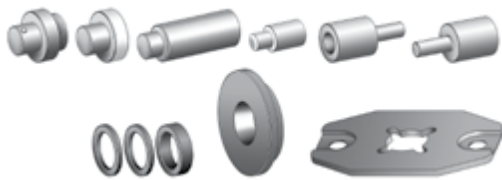
OTC Part No. 4247 Visit otctools.com



Hendrickson Part No. 66086-205

OTC Part No. 4254 Visit otctools.com

NOTE: In conjunction with Hendrickson Part No. 66086-204 (OTC 4247) this additional adapter tool kit is available to purchase to be used on Hendrickson SOFTEK NXT suspension (not needed for this suspension)



QUIK-ALIGN PIVOT BUSHING SERVICE TOOL

Hendrickson Part No. 66086-203L



QUIK-ALIGN SOCKET TOOL

Hendrickson Part No. 66086-200

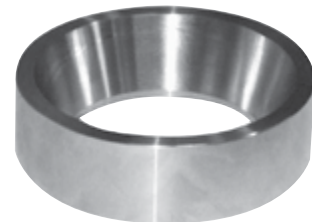
OTC Part No. 1767

Visit otctools.com



ULTRA ROD TORQUE ROD BUSHING FUNNEL TOOL

Hendrickson Part No. 66086-001



This is a general parts list to provide directional information. Components may vary by model. Questions in regards to parts, contact Hendrickson Truck Parts at 1.866.755.5968 (Toll-free U.S. and Canada), 630.910.2800 (Outside U.S. and Canada) or e-mail: truckparts@hendrickson-intl.com. Actual product performance may vary depending upon vehicle configuration, operation, service and other factors. All applications must comply with applicable Hendrickson specifications and must be approved by the respective vehicle manufacturer with the vehicle in its original, as-built configuration. Contact Hendrickson for additional details regarding specifications, applications, capacities, and operation, service and maintenance instructions.

Call your truck dealer or Hendrickson at **1.866.755.5968** (toll-free) or **1.630.910.2800** for additional information.



www.hendrickson-intl.com

TRUCK COMMERCIAL VEHICLE SYSTEMS
 800 South Frontage Road
 Woodridge, IL 60517-4904 USA
 1.866.755.5968 (Toll-free U.S. and Canada)
 1.630.910.2800 (Outside U.S. and Canada)
 Fax 1.630.910.2899

SP-173 Rev G 07-19

© 2001 – 2019 Hendrickson USA, L.L.C. All Rights Reserved. All trademarks shown are owned by Hendrickson USA, L.L.C., or one of the affiliates, in one or more countries. Information contained in this literature was accurate at the time of publication. Product changes may have been made after the copyright date that are not reflected.

Printed in United States of America