

H PARTS LIST

LUXAIR® Premium Rear Drive Axle Air Suspension for Gillig Buses

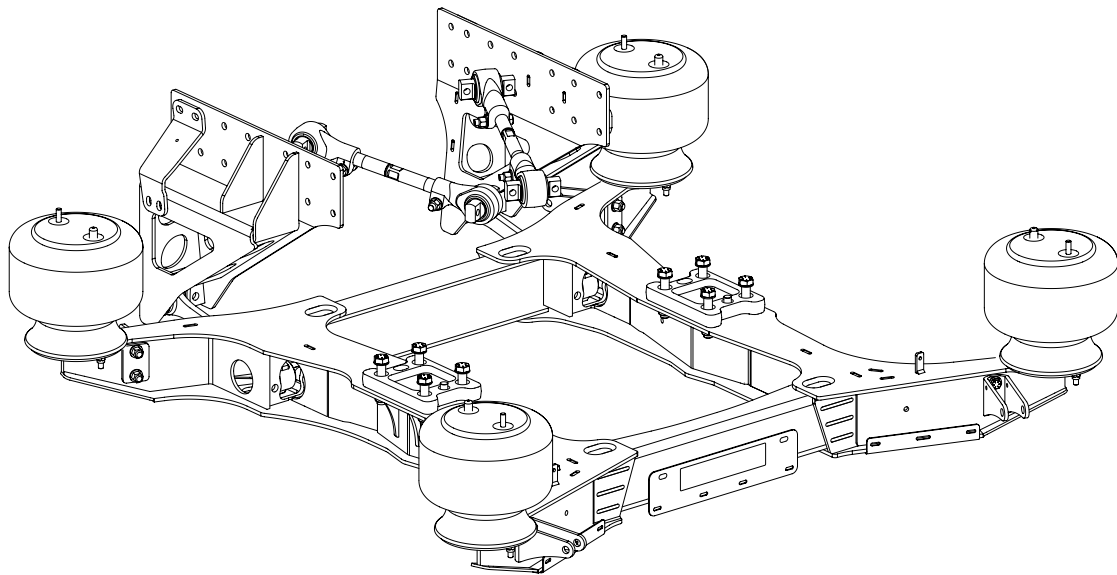
LIT NO: SP-321

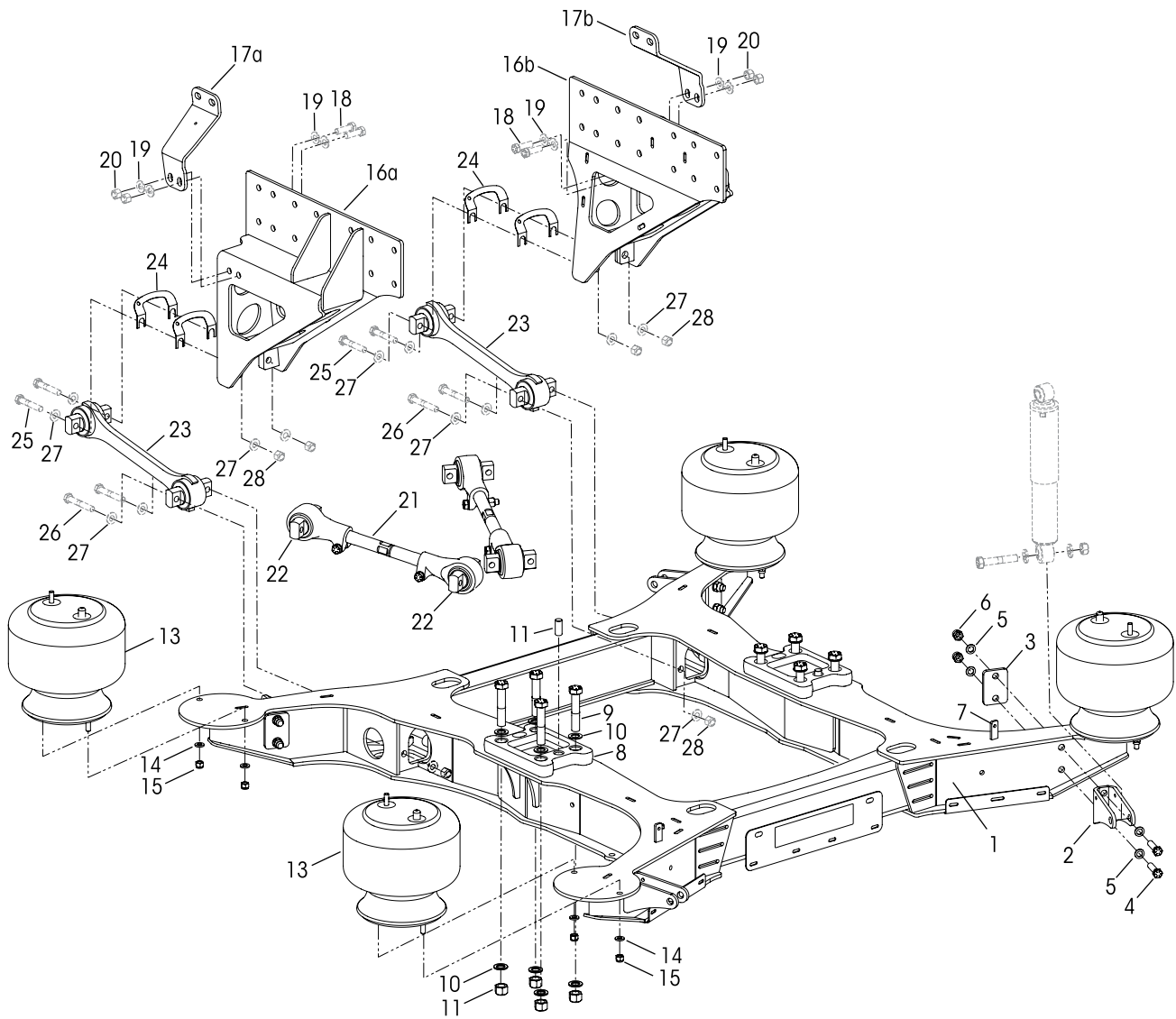
DATE: August 2020

REVISION: A

CONTENTS

DESCRIPTION	PAGE
Parts List	2







KEY NO.	PART NO.	DESCRIPTION	VEHICLE QTY.	KEY NO.	PART NO.	DESCRIPTION	VEHICLE QTY.
1	79700-000	H-Frame Assembly, Includes Key Nos. 2-8	1	16		Frame Hanger	
	34013-415	Single Lower Shock Bracket Service Kit, Includes Key Nos. 2-6		a	79142-001	Left Hand	1
2	79674-000	Shock Absorber Bracket	4	b	79142-002	Right Hand	1
3	80798-000	Back Plate	4	17		Frame Hanger Bracket	
4	80791-006	5/8"-18 UNF x 2 1/4" Hex Bolt	8	a	79141-001P	Left Hand	1
5	80795-007	5/8" Flat Washer	16	b	79141-002P	Right Hand	1
6	80796-007	5/8"-18 UNF Locknut	8	18		***5/8"-18 UNF x 2.0" Hex Cap Screw	4
7		*Height Control Valve Bracket	2	19		***5/8" Flat Washer	8
8		*Axle Mount 1 1/2" Thickness	2	20		***5/8"-18 UNF Locknut	4
	34013-416	Axle Mount Clamp Group Fastener Service Kit, Includes Key Nos. 9-12		21	80803-001	**** Transverse Upper 3-piece Adjustable Torque Rod Assembly, Includes Key No. 22	2
9		**7/8"-14 UNF x 4 1/2" Hex Bolt	8	22	66649-007	Transverse XTRB™ Straddle Bushing	4
10		**7/8" Flat Washer	16	23	8241-0202-450	****Lower Longitudinal TRAX ROD™ Torque Rod	2
11		**7/8"-14 UNF Locknut	8	24	91914-000	Lower Torque Rod Shim 1.52 mm	4
12		**3/4" x 1 3/4" Dowel Pin	2	25		***3/4" x 3 1/2" Hex Bolt	4
13	93227-000	Air Spring Assembly	4	26		***3/4" x 4" Hex Bolt	4
14	91861-005	1/2" Flat Washer	8	27		***3/4" Washer	16
15	17700-010	1/2"-13 UNC-2B Locknut	8	28		***3/4" Locknut	8

NOTES: * Contact Hendrickson Tech Services regarding component replacement.

** Item included in kit/assembly only, part not sold separately.

*** Not supplied by Hendrickson, used for reference only. Hendrickson is not responsible for components supplied by the vehicle manufacturer. For assistance with maintenance and rebuild instructions on these components, see vehicle manufacturer.

**** Transverse and longitudinal torque rods are mandatory for the LUXAIR suspension regardless of axle spacing.

This is a general parts list to provide directional information. Components may vary by model. Questions in regards to parts, contact Hendrickson Truck Parts at 1.866.755.5968 (Toll-free U.S. and Canada), 630.910.2800 (Outside U.S. and Canada) or email: truckparts@hendrickson-intl.com.

Actual product performance may vary depending upon vehicle configuration, operation, service and other factors.

All applications must comply with applicable Hendrickson specifications and must be approved by the respective vehicle manufacturer with the vehicle in its original, as-built configuration.

Contact Hendrickson for additional details regarding specifications, applications, capacities, and operation, service and maintenance instructions.

*Call your truck dealer or Hendrickson at **1.866.755.5968** (toll-free) or **1.630.910.2800** for additional information.*



www.hendrickson-intl.com

TRUCK COMMERCIAL VEHICLE SYSTEMS

800 South Frontage Road

Woodridge, IL 60517-4904 USA

1.866.755.5968 (Toll-free U.S. and Canada)

1.630.910.2800 (Outside U.S. and Canada)

Fax 1.630.910.2899

SP-321 Rev A 08-20

© 2020 Hendrickson USA, L.L.C. All Rights Reserved. All trademarks shown are owned by Hendrickson USA, L.L.C., or one of the affiliates, in one or more countries. Information contained in this literature was accurate at the time of publication. Product changes may have been made after the copyright date that are not reflected.

Printed in United States of America