

# **H** PARTS LIST

## AIRTEK® Front Air System for International IC Bus

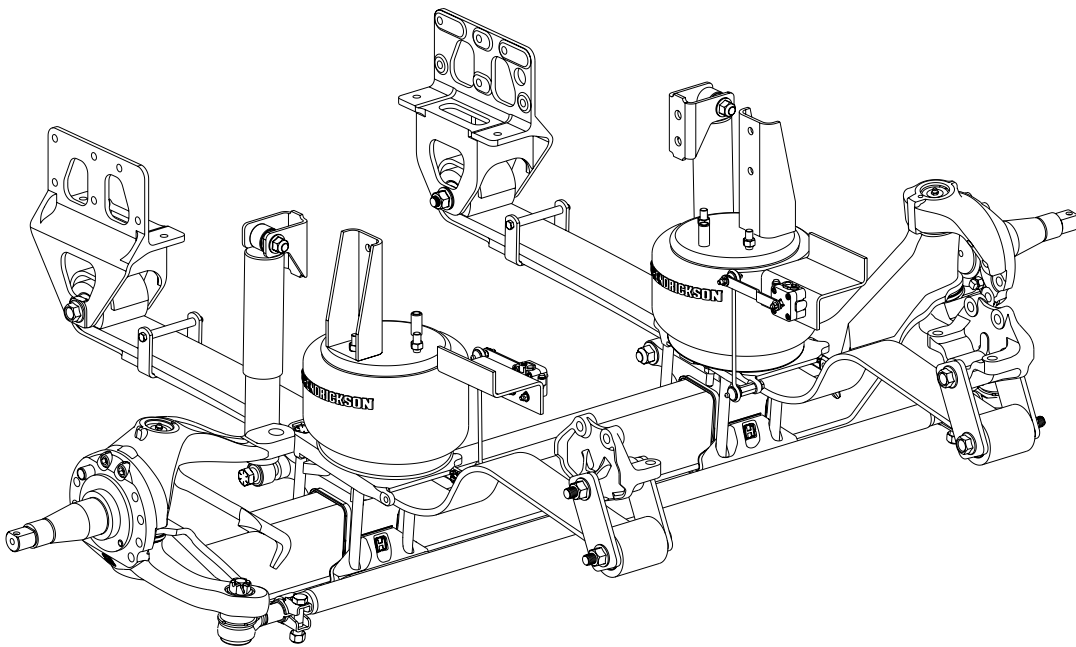
LIT NO: SP-217

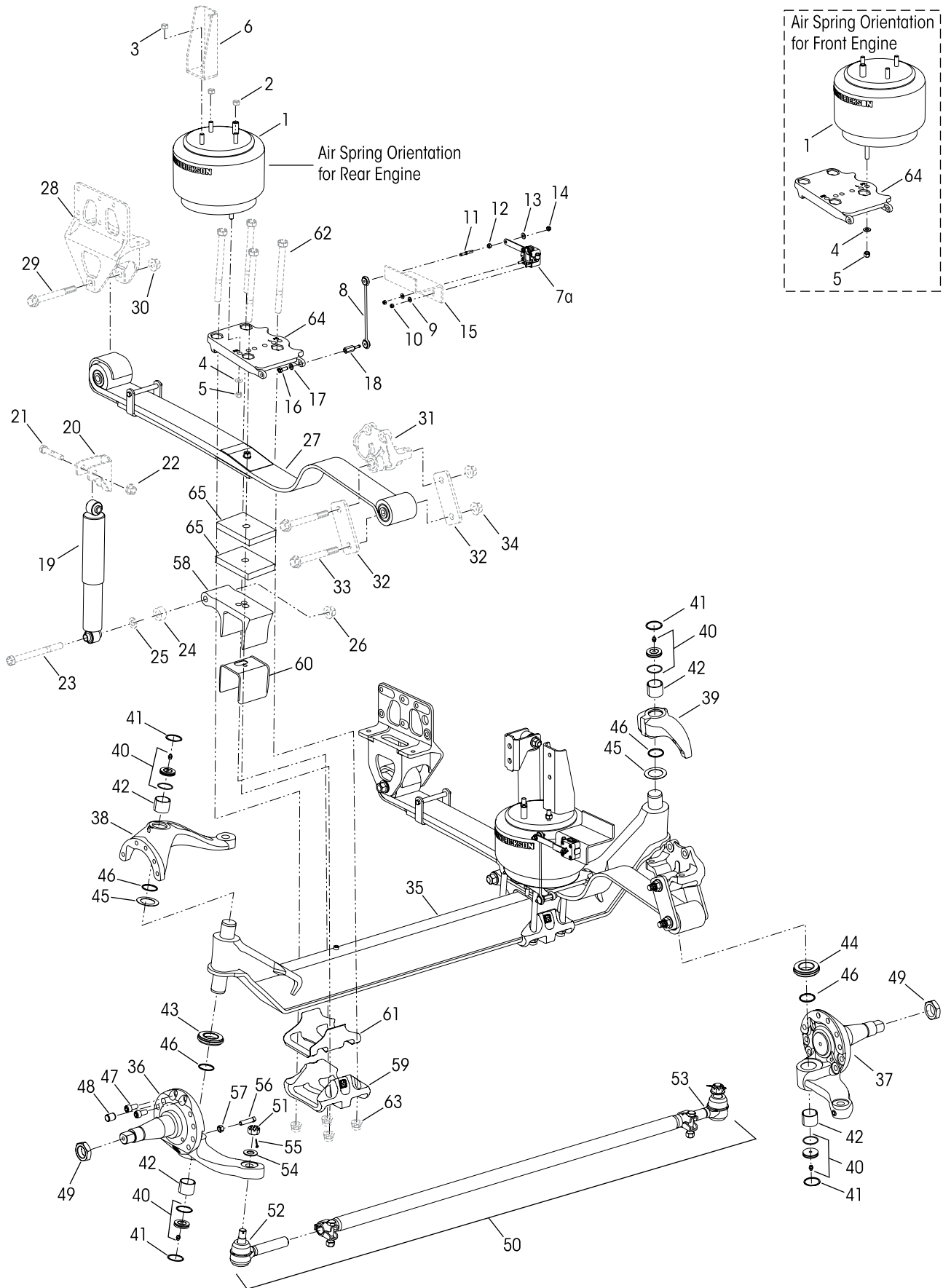
DATE: November 2018

REVISION: C

### CONTENTS

DESCRIPTION	PAGE
Parts List . . . . .	2
Special Tools . . . . .	4







KEY NO.	PART NO.	DESCRIPTION	VEHICLE QTY.	KEY NO.	PART NO.	DESCRIPTION	VEHICLE QTY.
1	67568-002	Air Spring Assembly	2	38	60903-046	Left Hand Upper Steering Knuckle Assembly	1
2		*½"-13 UNC Upper Air Spring Locknut	4	39	60904-034	Right Hand Upper Steering Knuckle Assembly	1
3		*¾"-16 UNF Upper Air Spring Locknut	2			<b>Kingpin Bushing and Bearing Service Kits,</b>	
4		*½" Lower Air Spring Washer	2		60961-040	<b>Axle Set</b> , Includes Kit Nos. 60961-009 & -039	
5		*½"-13 UNC Lower Air Spring Locknut	2		60961-009	<b>LH w/Composite Thrust Bearing</b> , Includes Key Nos. 40-43, 45-47 & Loctite	
6		*Air Spring Bracket	2		60961-039	<b>RH w/Roller Thrust Bearing</b> , Includes Key Nos. 40-42, 44-47 & Loctite	
	59427-013	Height Control Valve Assembly		40	59156-000	Grease Cap Assembly	4
		Left Hand, Includes Key Nos. 7a, 8-14	1	41	58937-000	Retaining Ring	4
	59427-014	Right Hand, Includes Key Nos. 7b, 8-14	1	42	58909-000	Kingpin Bushing	4
7		**Height Control Valve				<b>Thrust Bearing Service Kits,</b>	
a	59935-011	Left Hand	1		60961-043	<b>Axle Set</b> , Includes Kit Nos. 60961-041 & -042	
b	59935-018	Right Hand	1		60961-041	<b>Left Hand Composite Thrust Bearing</b> , Includes Key Nos. 43, 45-47, Loctite	
8	59428-004	Height Control Valve Linkage	2		60961-042	<b>Right Hand Roller Thrust Bearing</b> , Includes Key Nos. 44-47, Loctite	
9		**¼" Washer	4	43	59828-000	Left Hand Composite Thrust Bearing	1
10		**¼" Locknut	4	44	64256-000	Right Hand Roller Thrust Bearing	1
11		**5/16" Stud	2	45		Kingpin Shim	As Req.
12		**5/16" Hex Locknut	2		60259-001X	0.005" Thickness (Pack of 4)	
13		**5/16" Washer	2		60259-002	0.047" Thickness	
14		**5/16" Locknut	2	46	58910-001	Kingpin Seal, <i>Replaces 58910-000</i>	4
15		*Height Control Valve Bracket	2	47	60236-001	5/8"-11 UNC Socket Head Cap Screw	4
16		3/8"-16 UNC x 1" Hex Head Bolt	2	Not Shown	60937-000	Loctite (Red) Compound Tube	1
17		3/8" Washer	2	48	64246-000	ABS Sensor Sleeve	2
18		Link Mount		49	64578-000	1½"-12 UNF Spindle Locknut	2
	59429-003	RE	2	50	64006-002	Tie Rod Assembly, Includes Key No. 51	1
	64742-002	FE Right Hand	1	51		**7/8" Castle Nut	2
	59429-003	FE Left Hand	1		60961-010	<b>Tie Rod End Service Kits,</b>	
19	65992-006	Shock Absorber, <i>Replaces 65992-001</i>	2			<b>Axle Set</b> , Includes Kit Nos. 60961-027 & -028	
20		*Shock Absorber Bracket	2		60961-027	<b>Left Hand</b> , Includes Key Nos. 52, 54-55	
21		*M16 x 90 mm Upper Shock Bolt	2		60961-028	<b>Right Hand</b> , Includes Key Nos. 53-55	
22		*M16 Upper Shock Flange Locknut	2	52	64002-001	Left Hand Tie Rod End	1
23		*¾"-10 UNC x 8" Lower Shock Bolt	2	53	64002-002	Right Hand Tie Rod End	1
24		*¾" Shock Spacer	2	54	22962-007	7/8" Flat Washer	2
25		*¾" Lower Shock Washer	2	55	17800-004	Tie Rod Nut Cotter Pin	2
26		*¾"-10 UNC Lower Shock Flange Locknut	2		60961-069	<b>Stop Bolt Service Kit, One Side</b> , Includes Key Nos. 56-57	
27	67420-000	Leaf Spring Assembly	2	56	60238-001	½"-13 UNC Square Head Bolt	2
28		*Front Hanger	2	57	60240-000	½"-13 UNC Hex Jam Locknut	2
29		*¾"-16 UNF x 6½" Flange Hex Head Bolt	2	58	59952-030	Top Axle Wrap	2
30		*¾"-16 UNF Flange Hex Locknut	2	59	64722-003	Bottom Axle Wrap	2
31		*Rear Hanger	2		60961-015	<b>Top/Bottom Axle Wrap Liner Service Kit, One Side</b> , Includes Key Nos. 60-61	
32		*Shackle Bracket	4	60	60508-000	Top Axle Wrap Liner	2
33		*¾"-16 UNF x 6½" Flange Hex Head Bolt	4	61	59845-000	Bottom Axle Wrap Liner	2
34		*¾"-16 UNF Flange Hex Locknut	4	62		*¾"-16 UNF x 9" Hex bolt	8
		STEERTEK Axle Assembly, 200" Wheelbase	1	63		*¾"-16 UNF Flange Locknut	8
		Includes Key Nos. 35-63		64	67719-000	Top Pad	2
	70952-328	12K		65	70105-010	***Spacer - 10 mm, <i>Replaces 64536-020, 70105-020</i>	4
	70952-318	14.6K					
35	64905-005	Axle & Kingpin Assembly	1				
36	58900-073	Left Hand Lower Steering Knuckle Assembly	1				
37	58900-074	Right Hand Lower Steering Knuckle Assembly	1				

**NOTE:** \* Not supplied by Hendrickson, used for reference only. Hendrickson is not responsible for components supplied by the vehicle manufacturer. For assistance with maintenance and rebuild instructions on these components see vehicle manufacturer.

\*\* Item included in kit/assembly only, part not sold separately.

\*\*\* Part No. 64536-020, 70105-020 with a 20 mm height is replaced with two (2) of 70105-010 with a 10 mm height.

## ■ Special Tools

### KINGPIN BUSHING TOOL – ADJUSTABLE STRAIGHT FLUTE REAMER

The dimension of cutting diameter must facilitate a range of **1.802"-1.812"**



This is a general parts list to provide directional information. Components may vary by model. Questions in regards to parts, contact Hendrickson Truck Parts at 1.866.755.5968 (Toll-free U.S. and Canada), 630.910.2800 (Outside U.S. and Canada) or e-mail: [truckparts@hendrickson-intl.com](mailto:truckparts@hendrickson-intl.com).

[www.hendrickson-intl.com](http://www.hendrickson-intl.com)



"HENDRICKSON", the "H" logo and other Hendrickson marks designated with the "®" symbol are registered trademarks of Hendrickson USA, L.L.C. in the United States and certain other countries.

Truck Commercial Vehicle Systems  
800 South Frontage Road  
Woodridge, IL 60517-4904 USA

1.866.755.5968 (Toll-free U.S. and Canada)  
630.910.2800 (Outside U.S. and Canada)  
Fax 630.910.2899