

VIEW AA

SCALE: .125=1.000

③

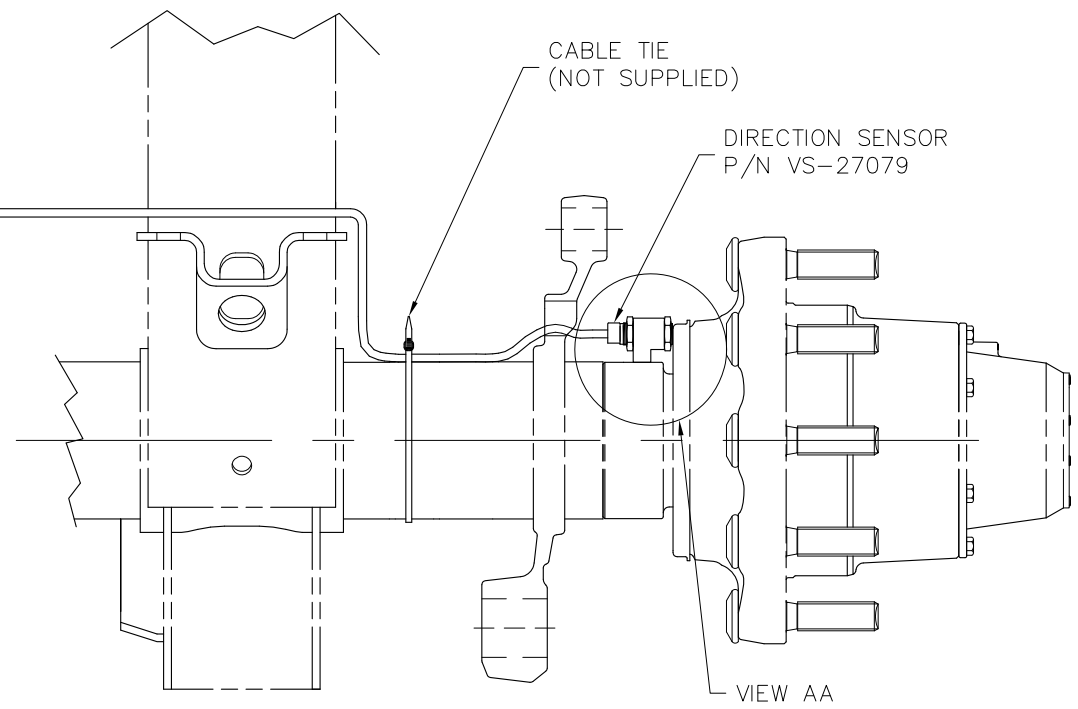
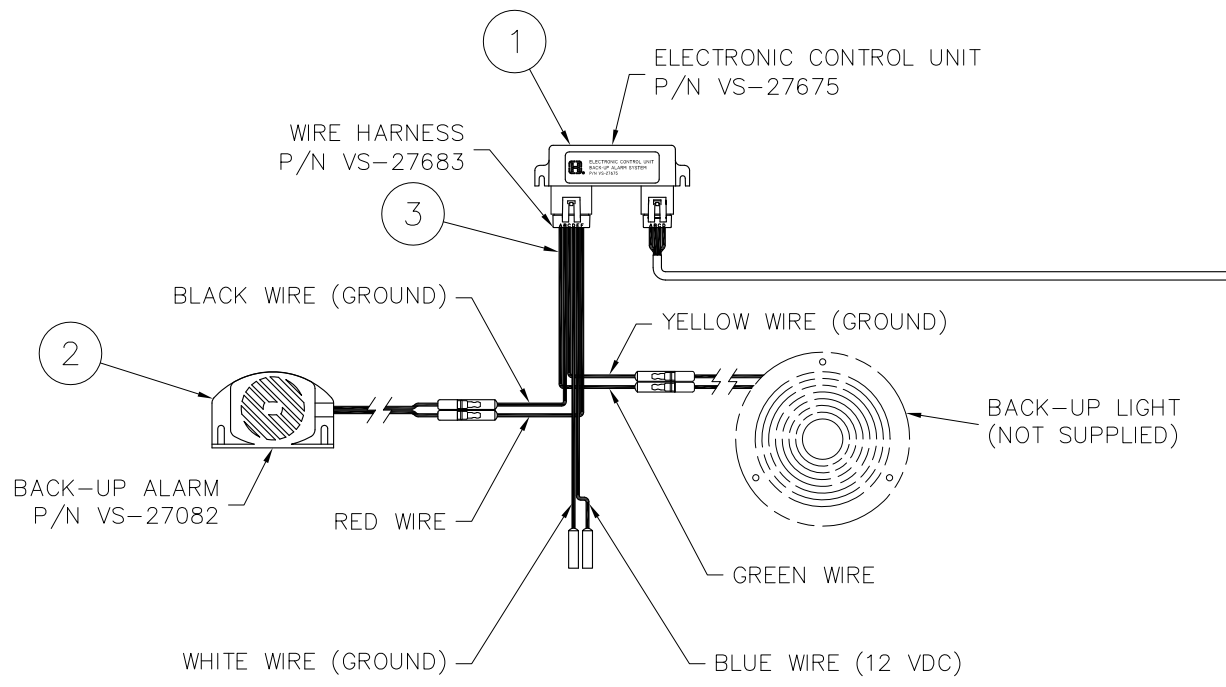
③

EKBA0001

BILL OF MATERIALS:			
ITEM	PART NO.	DESCRIPTION	QTY.
1	B-27675	ELECTRONIC CONTROL UNIT	1
2	A-27082	ALARM	1
3	A-27683	ECU WIRE HARNESS	1
4	B-27079	DIRECTION SENSOR	1
*5	DWG EKBA0001	BACK-UP ALARM KIT	1

*NOT SHOWN

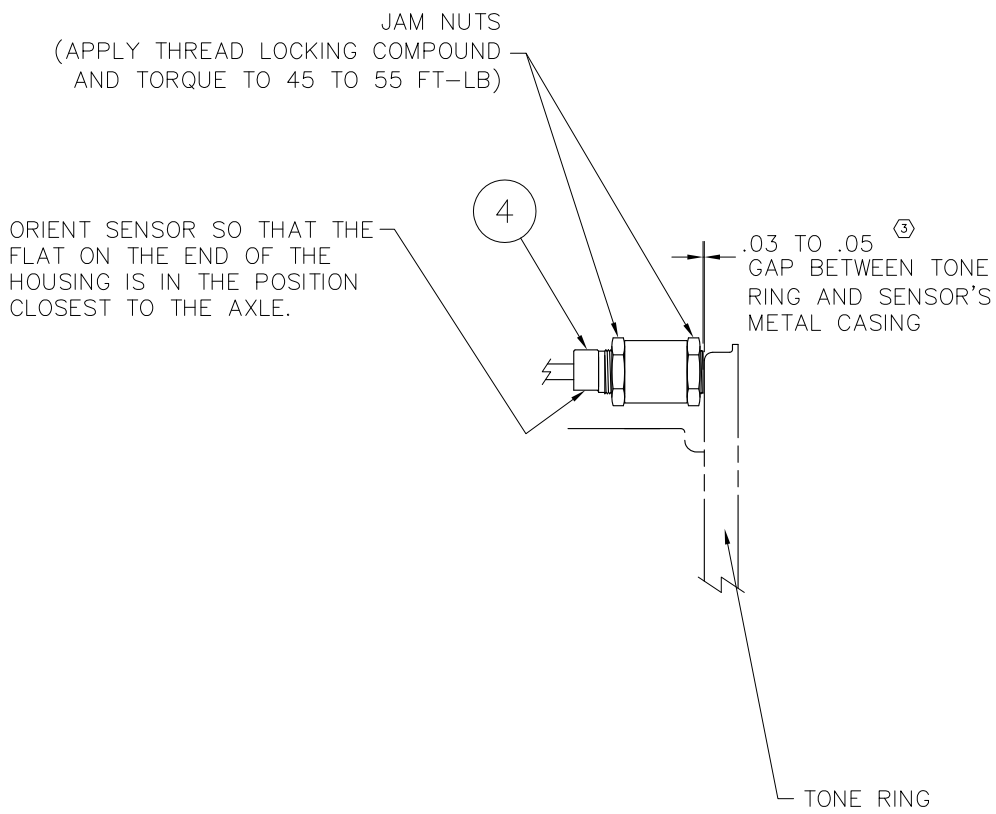
- NOTES:
1. INSTALL SENSOR BRACKET OR BLOCK ON THE LEFT SIDE (DRIVER SIDE) ONLY. USE A STANDARD ABS SENSOR BRACKET OR BLOCK RECOMMENDED BY THE AXLE SUPPLIER.
 - ③ 2. INSERT SENSOR INTO THE BRACKET UNTIL ITS METAL CASING IS .03 TO .07 INCH AWAY FROM TONE RING. IF SENSOR IS SUPPLIED WITH ADHESIVE ATTACHED INSTALLATION SPACER, THEN POSITION SENSOR WITH THE INSTALLATION SPACER CONTACTING THE TONE RING.
 3. ORIENT FLAT ON SENSOR HOUSING TOWARD THE AXLE.
 4. APPLY A THREAD LOCKING COMPOUND TO THE SENSOR THREADS ON BOTH SIDES OF THE SENSOR BRACKET.
 5. TIGHTEN JAM NUTS TO 45-55 FT-LB.
 6. SECURE SENSOR CABLE AND WIRE HARNESS EVERY 12 TO 16 INCHES.
 7. EACH OUTPUT OF THE ELECTRONIC CONTROL UNIT IS RATED FOR 5A@12VDC MAXIMUM. IF THE BACK-UP LIGHTS OR DEVICE SELECTED HAS A GREATER CURRENT DRAW, USE HENDRICKSON VCLD0080 (EXTERNAL RELAY KIT) TO SUPPLY POWER.
 8. WEIGHT: 1.7 LB
 - ③ 9. USE EKBA0001 FOR DRUM BRAKE APPLICATIONS AND EKBA0001-1 FOR DISK BRAKE APPLICATIONS.



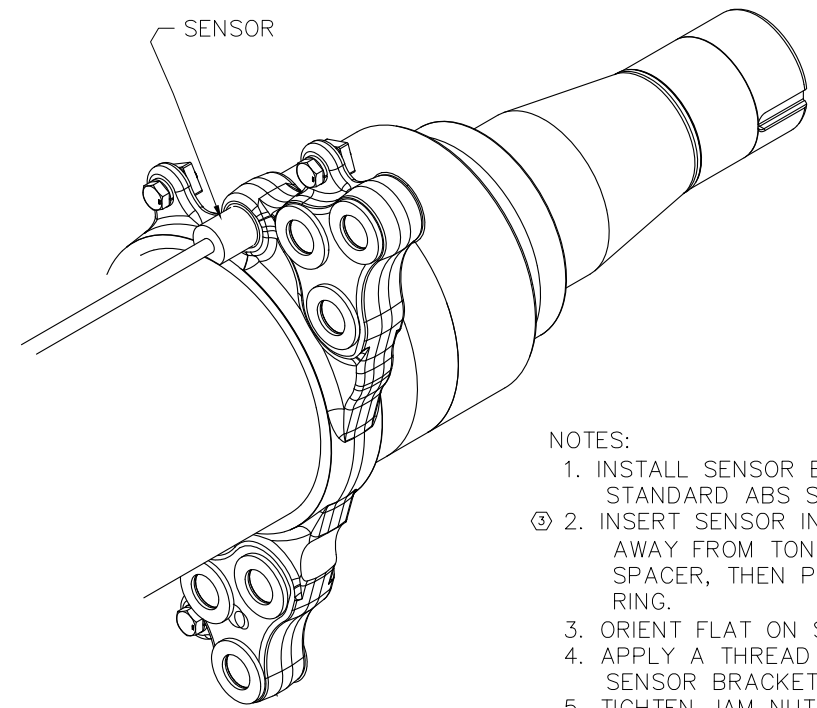
DRIVER'S SIDE WHEEL END

This Print remains the property of Hendrickson. All information contained thereon is confidential. It is loaned, subject to return on demand and on express condition that it is not to be copied or used directly or indirectly for any purpose other than the purpose for which it has been loaned to you.

<p>HENDRICKSON</p> <p>TRAILER COMMERCIAL VEHICLE SYSTEMS 2070 INDUSTRIAL PLACE S.E., CANTON, OH 44707-2600 U.S.A.</p>	UNLESS OTHERWISE NOTED: TOLERANCES ARE: DIMENSIONS ARE:		3 25106 CCV 03-09-16 2 19091 PSO 8-25-10	DRAWN BY: J. CERVANTEZ CHK'D BY: 2/21/02 K. GALIGHER APP'D BY: J. WHITE	DATE: 2-12-02	THIS DRAWING IS THE CONFIDENTIAL PROPERTY OF HENDRICKSON	SCALE: .25=1.00 (SIZE) PAGE: 1 OF 2 DRAWING No. EKBA0001
	.X: ± .1 .XX: ± .06 .XXX: ± .030 ANGULAR: ± .5	<p>3RD ANGLE PROJECTION</p>	1 12102 NJF 12-05-02 0 11318 JWC 2-14-02	REV. ECN NO. BY DATE	BACK-UP ALARM KIT		



VIEW AA
SCALE: .125=1.000

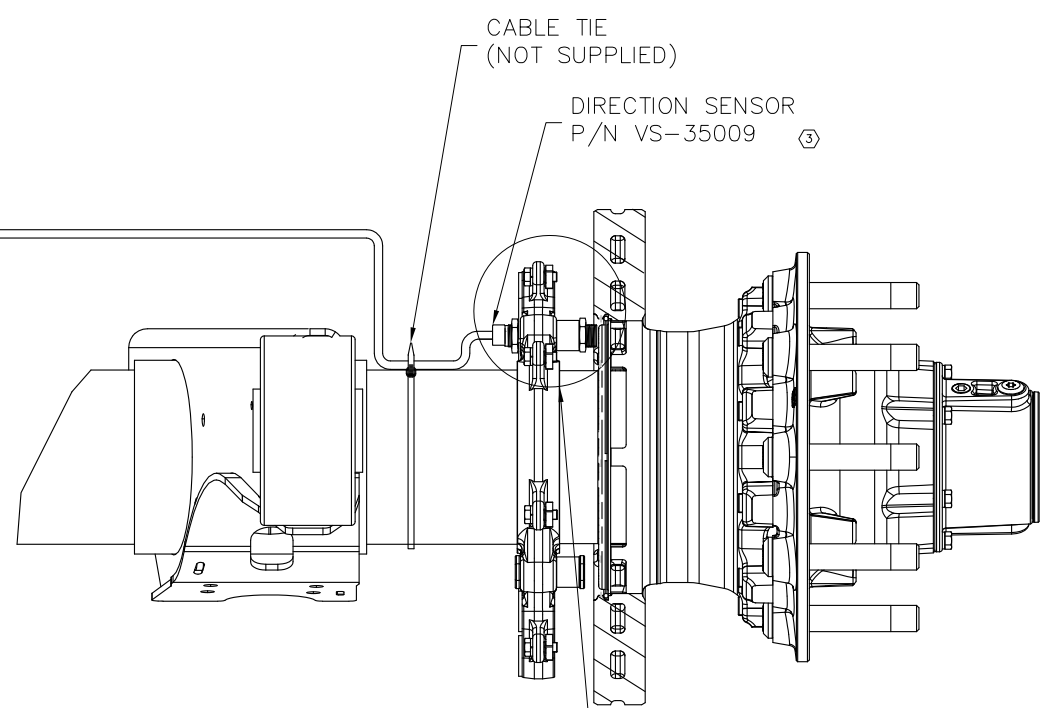
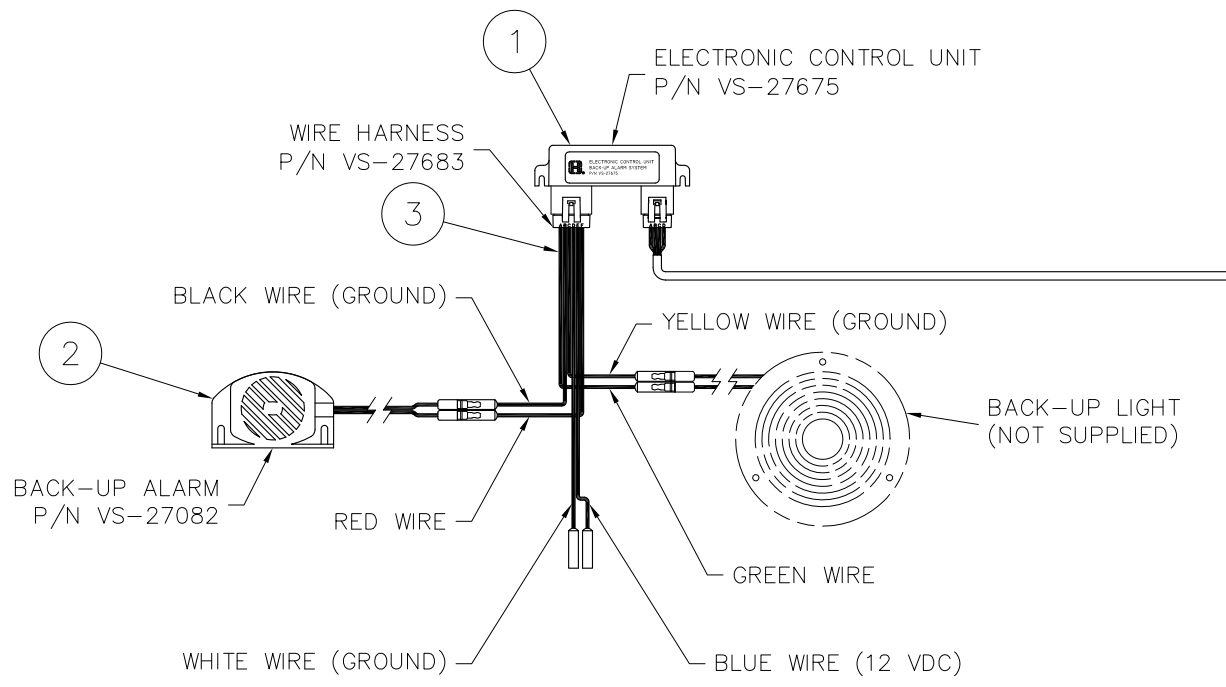


- NOTES:
1. INSTALL SENSOR BRACKET OR BLOCK ON THE LEFT SIDE (DRIVER SIDE) ONLY. USE A STANDARD ABS SENSOR BRACKET OR BLOCK RECOMMENDED BY THE AXLE SUPPLIER.
 2. INSERT SENSOR INTO THE BRACKET UNTIL ITS METAL CASING IS .03 TO .05 INCH AWAY FROM TONE RING. IF SENSOR IS SUPPLIED WITH ADHESIVE ATTACHED INSTALLATION SPACER, THEN POSITION SENSOR WITH THE INSTALLATION SPACER CONTACTING THE TONE RING.
 3. ORIENT FLAT ON SENSOR HOUSING TOWARD THE AXLE.
 4. APPLY A THREAD LOCKING COMPOUND TO THE SENSOR THREADS ON BOTH SIDES OF THE SENSOR BRACKET.
 5. TIGHTEN JAM NUTS TO 45-55 FT-LB.
 6. SECURE SENSOR CABLE AND WIRE HARNESS EVERY 12 TO 16 INCHES.
 7. EACH OUTPUT OF THE ELECTRONIC CONTROL UNIT IS RATED FOR 5A@12VDC MAXIMUM. IF THE BACK-UP LIGHTS OR DEVICE SELECTED HAS A GREATER CURRENT DRAW, USE HENDRICKSON VCLD0080 (EXTERNAL RELAY KIT) TO SUPPLY POWER.
 8. WEIGHT: 1.8 LB
 9. USE EKBA0001 FOR DRUM BRAKE APPLICATIONS AND EKBA0001-1 FOR DISK BRAKE APPLICATIONS.

BILL OF MATERIALS:

EKBA0001 -1			
ITEM	PART NO.	DESCRIPTION	QTY.
1	B-27675	ELECTRONIC CONTROL UNIT	1
2	A-27082	ALARM	1
3	A-27683	ECU WIRE HARNESS	1
4	B-35009	DIRECTION SENSOR, DISK BRAKE	1
*5	DWG EKBA0001	BACK-UP ALARM KIT	1

*NOT SHOWN



DRIVER'S SIDE WHEEL END

This Print remains the property of Hendrickson. All information contained thereon is confidential. It is loaned, subject to return on demand and on express condition that it is not to be copied or used directly or indirectly for any purpose other than the purpose for which it has been loaned to you.

<p>HENDRICKSON</p> <p>TRAILER COMMERCIAL VEHICLE SYSTEMS 2070 INDUSTRIAL PLACE S.E., CANTON, OH 44707-2600 U.S.A.</p>	<p>UNLESS OTHERWISE NOTED: TOLERANCES ARE: DIMENSIONS ARE: INCHES</p> <p>.X: ± .1 .XX: ± .06 .XXX: ± .030 ANGULAR: ± .5</p> <p>3RD ANGLE PROJECTION</p>	<p>3 25106 CCV 03-09-16</p> <p>REV. ECN NO. BY DATE</p>	<p>DRAWN BY: C. VAN DYKE CHK'D BY: F. AREVALO APP'D BY: J. CERVANTEZ</p>	<p>DATE: 03-21-16</p> <p>THIS DRAWING IS THE CONFIDENTIAL PROPERTY OF HENDRICKSON</p>	<p>SCALE: .25=1.00 (SIZE)</p> <p>PAGE: 2 OF 2 DRAWING No. EKBA0001</p>
	<p>BACK-UP ALARM KIT</p>				