

H PARTS LIST

OPTIMAAX® Liffable Forward Tandem Axle and Suspension System for Freightliner Vehicles

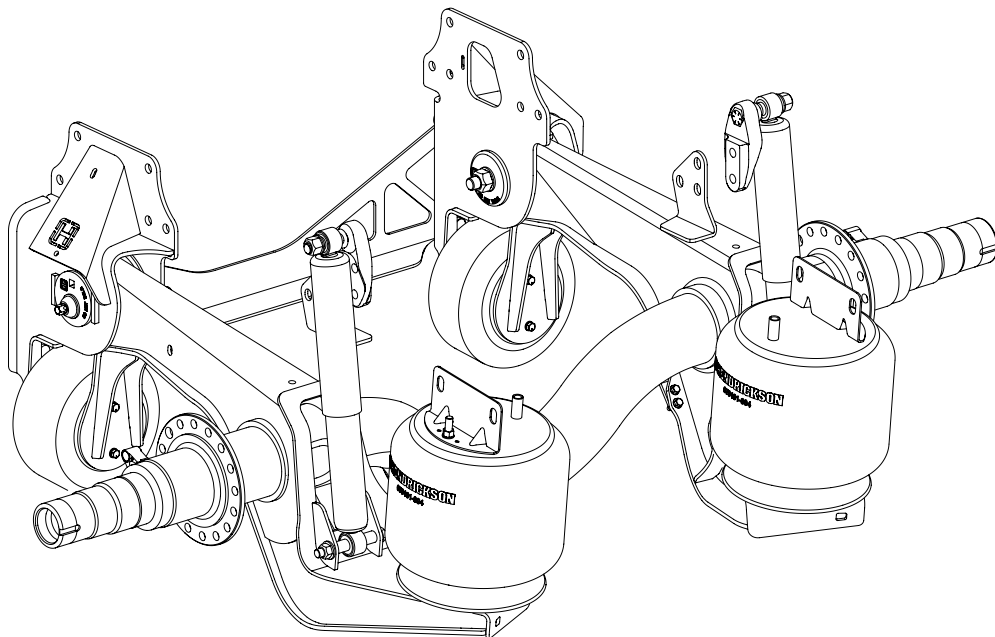
LIT NO: SP-309

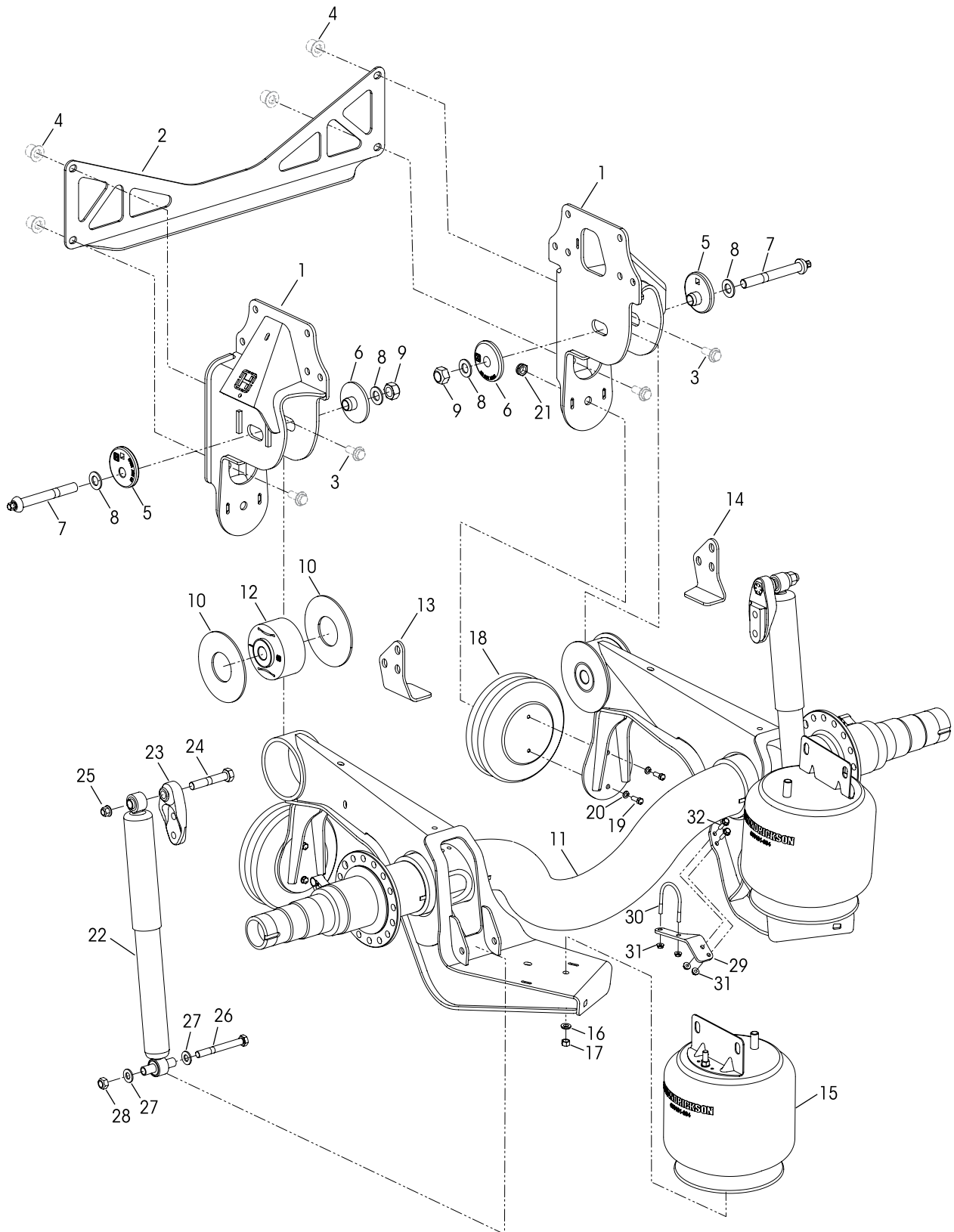
DATE: October 2018

REVISION: A

CONTENTS

DESCRIPTION	PAGE
Parts List	2
Special Tools	4







OPTIMAAX® for Freightliner Vehicles

KEY NO.	PART NO.	DESCRIPTION	VEHICLE QTY.	KEY NO.	PART NO.	DESCRIPTION	VEHICLE QTY.
1		Frame Hanger		16	22962-014	½" Lower Ride Air Spring Washer	2
	79651-001	Left Hand	1	17	17700-010	½"-1.3 UNC Lower Ride Air Spring Locknut	2
	79651-002	Right Hand	1		34013-287	Lift Air Spring Service Kits, One Side, Includes Key Nos. 18-21	
2	80100-001	Cross Member	1	18		*Lift Air Spring	2
3		**M16 Huck Bolt	4	19	58035-001	¾"-1.6 UNF x 1" Lift Air Spring Bolt	4
4		**M16 Huck Locknut	4	20	17497-005	¾" Lift Air Spring Split Lock Washer	4
	60632-042	QUIK-ALIGN Service Kit, Includes Key Nos. 5-10		21	17700-031	¾" Locknut	2
	34013-280	Axle Set			34013-289	Single Shock Absorber Service Kit, Includes Key Nos. 22-28	
	34013-281	One Side		22	80335-001	Shock Absorber	2
		QUIK-ALIGN Collar Service Kit, One Side Includes Key Nos. 5-9		23	78250-003	Upper Shock Bracket	2
5		*QUIK-ALIGN Eccentric Collar	2	24	50764-019	¾"-10 UNC x 4½" Upper Shock Bolt	2
6		*QUIK-ALIGN Concentric Collar	2	25	66137-000	¾"-10 UNC Upper Shock Flange Locknut	2
	34013-282	QUIK-ALIGN Fastener Service Kit, One Side Includes Key Nos. 7-9		26	32043-019	¾"-11 UNC x 5½" Lower Shock Bolt	2
7		*Shear Round Head Bolt	2	27	22962-004	⅝" Lower Shock Washer	4
8		*⅝" Hardened Steel Washer	4	28	47764-000	⅝" Lower Shock Locknut	2
9		*⅞" Prevailing Torque Heavy Hex Nut	2			****S-cam Service Kit, Axle Set	
		TRI-FUNCTIONAL® III Bushing Service Kit			60961-864	Includes Key Nos. 29-32	
	34013-283	Axle Set, Includes Key Nos. 10, 12, 36			60961-869	Fasteners Only, Includes Key Nos. 30-32	
	34013-284	One Side, Includes Key Nos. 10, 12, 36		29		S-cam Bracket	
	34013-285	One Side, Includes Key Nos. 7-9, 12, 36			80023-001	Left Hand	1
	34013-286	Thrust Washer Service Kit, One Side			80023-002	Right Hand	1
10		*Thrust Washer	4	30	64202-000	⅝"-1.8 UNC x 3¼" U-bolt	2
11	79357-004	Axle Beam Assembly, Includes Key No. 12 75.5 Wide Track, 33.4" Frame Width	1	31	75952-000	⅝"-1.8 UNC Flange Nut	8
12		*TRI-FUNCTIONAL III Bushing	2	32	75953-001	⅝"-1.8 UNC x 1" Flange Bolt	4
	34013-237	Axle Stop Service Kit, Axle Set Includes Key Nos. 13-14			80692-XXX	***OPTIMAAX Air Controller Module, Includes Key Nos. 33-34	
		Axle Stop		33	80427-XXX	***OPTIMAAX ECU (Contact OEM for Part No.)	1
13	79887-001	Left Hand	1	34	80860-000	***Splash Shield Assembly	1
14	79887-002	Right Hand	1	35	80426-000	***OPTIMAAX Air Controller Manifold	1
15	79191-004	Ride Air Spring	2	36		H Rubber Assembly Oil	1 per Bushing
	49177-006	Ride Air Spring Fasteners Service Kit, Axle Set Includes Key Nos. 16-17					

NOTE: * Item included in assembly / kit only, part not sold separately.

** Item required, component supplied by vehicle manufacturer. Hendrickson is not responsible for components not supplied by Hendrickson, for assistance with maintenance and rebuild instructions on these components see vehicle manufacturer.

*** Not shown, refer to Hendrickson Literature No.17730-310 for more information.

**** Required for vehicles equipped with drum brakes only.



■ Special Tools

TRI-FUNCTIONAL® III BUSHING TOOL

Hendrickson Part No. 66086-122

Use with 3 $\frac{5}{8}$ " wide bushings



SHEAR HEAD BOLT-E20 1" SOCKET TOOL

Hendrickson Part No. A-24536

For Service



This is a general parts list to provide directional information. Components may vary by model. Questions in regards to parts, contact Hendrickson Truck Parts at 1.866.755.5968 (Toll-free U.S. and Canada), 1.630.910.2800 (Outside U.S. and Canada) or e-mail: truckparts@hendrickson-intl.com.

www.hendrickson-intl.com



Truck Commercial Vehicle Systems
800 South Frontage Road
Woodridge, IL 60517-4904 USA

1.866.755.5968 (Toll-free U.S. and Canada)
1.630.910.2800 (Outside U.S. and Canada)
Fax 1.630.910.2899

"HENDRICKSON", the "H" logo and other
Hendrickson marks designated with the "®" symbol
are registered trademarks of Hendrickson USA, L.L.C.
in the United States and certain other countries.

Information contained in this literature was accurate at the time of publication. Product changes may have been made after the copyright date that are not reflected.
© 2018 Hendrickson USA, L.L.C. All Rights Reserved