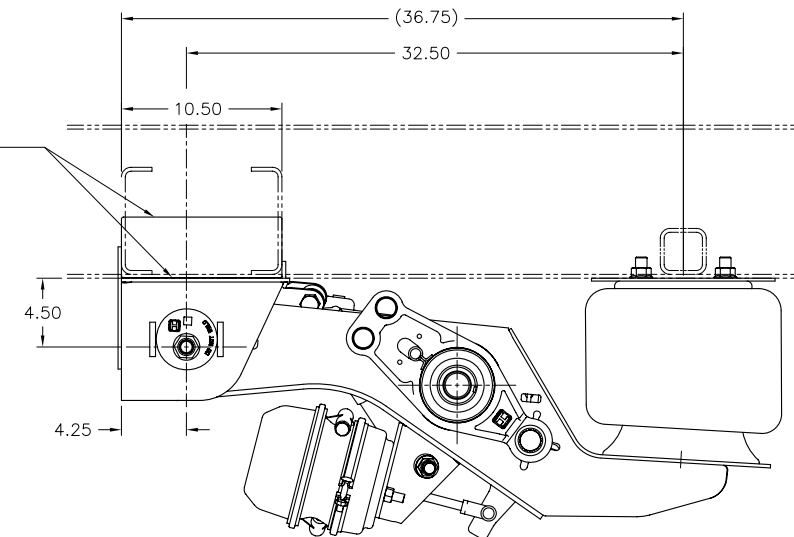
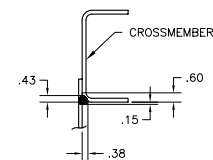
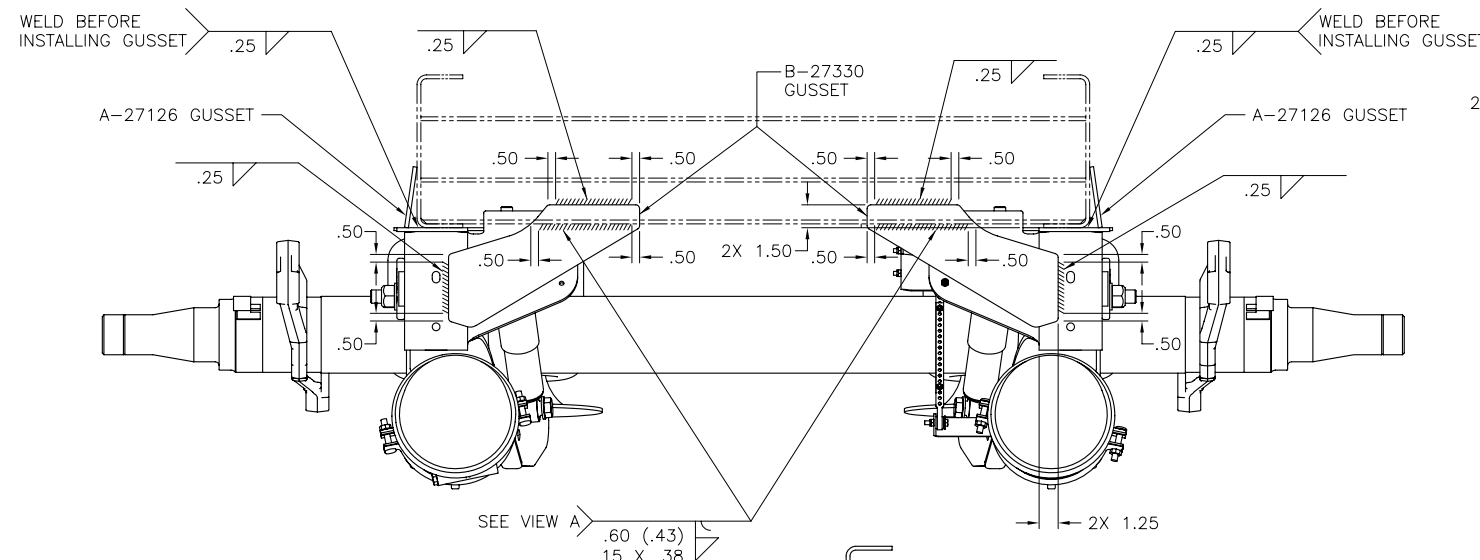
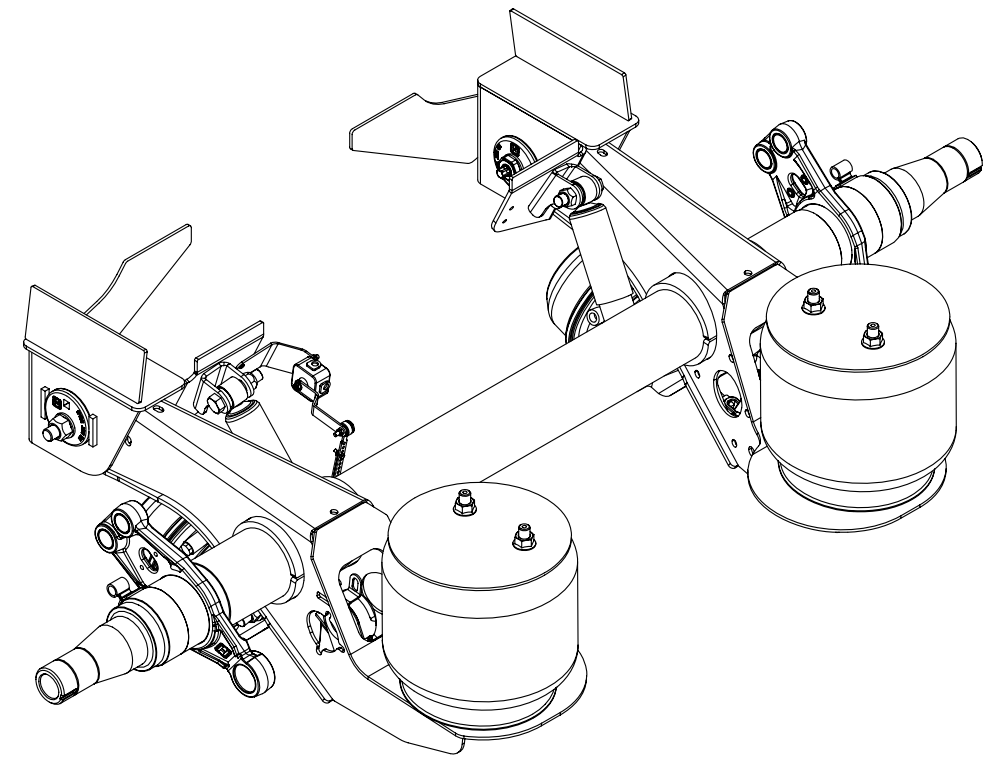


MODEL	AANLS 20K		
TRACK WIDTH	75.5	75.5	77.5
BEAM CENTERS	41.5	41.5	43.5
FRAME WIDTH	42.0	44.0	44.0



- NOTES:
- COMPONENT REPRESENTATION ARE REFERENCE ONLY
ACTUAL COMPONENT APPEARANCE MAY VARY.
 - REFER TO DOCUMENT D-26136 FOR OTHER INSTALLATION INSTRUCTIONS.

This Print remains the property of Hendrickson. All information contained thereon is confidential. It is loaned, subject to return on demand and on express condition that it is not to be copied or used directly or indirectly for any purpose other than the purpose for which it has been loaned to you.