

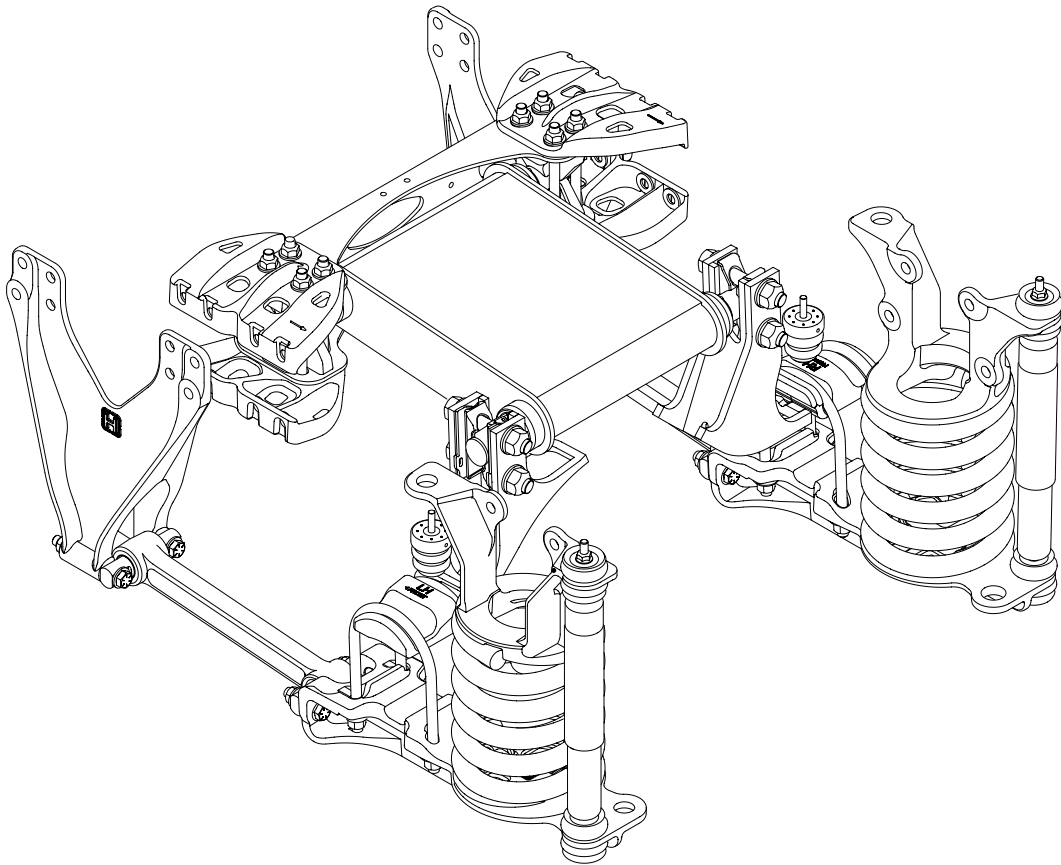
PARTS LIST

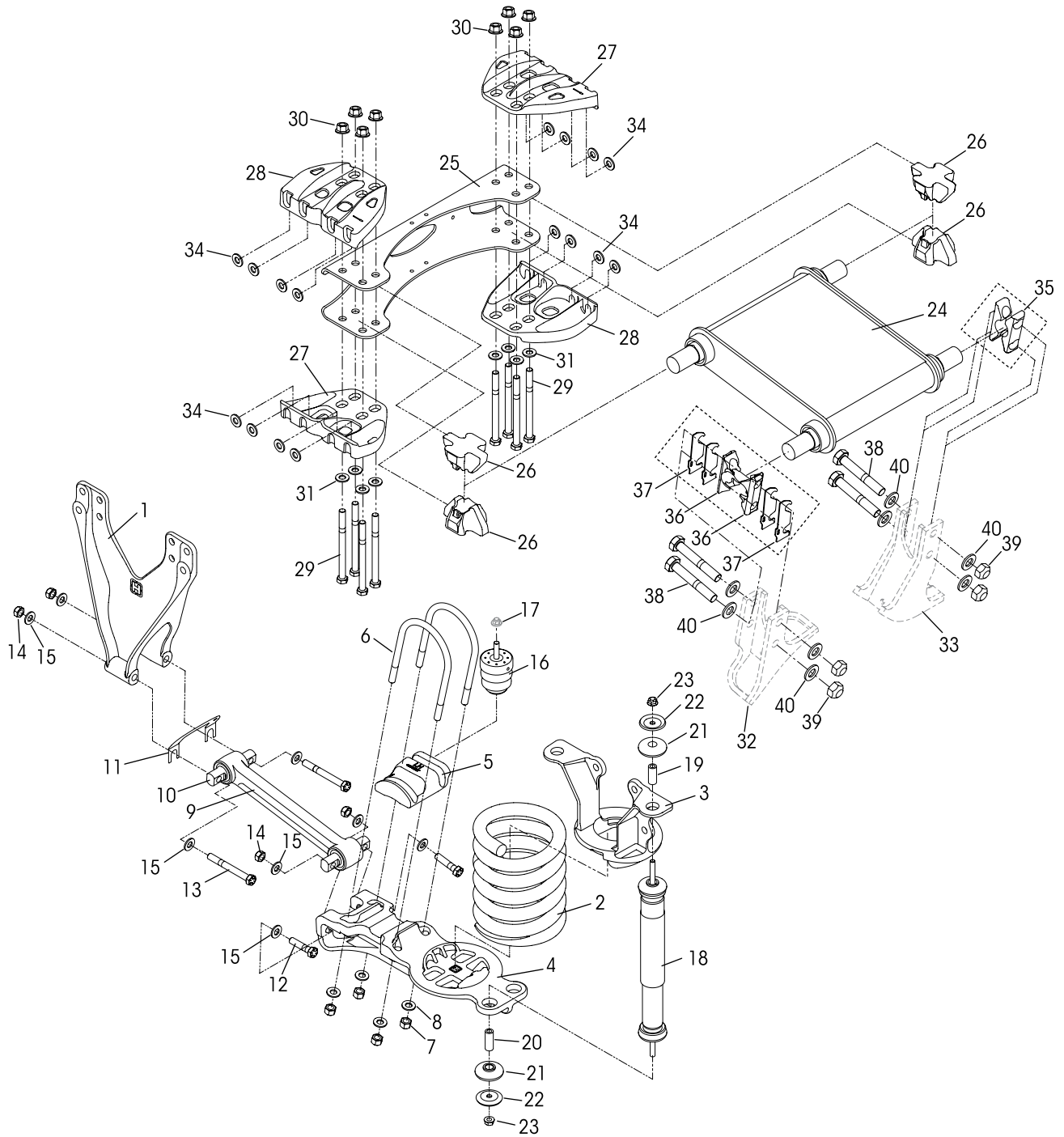
HTB® 175M Mechanical Rear Suspension for Workhorse UFO Motorhome Chassis

LIT NO: SP-213

DATE: January 2017

REVISION: D







KEY NO.	PART NO.	DESCRIPTION	VEHICLE QTY.	KEY NO.	PART NO.	DESCRIPTION	VEHICLE QTY.
1	66512-000	Frame Hanger	2	21		**Rubber Isolator	4
2	66319-000	Coil Spring – 17.5K	2	22		**Retaining Washer	4
3	66315-000	Coil Spring Hanger	2	23		**M12 Flange Locknut	4
4	66317-000	Lower Coil Spring Bracket	2		66513-002	Torque Box Cross Member Assembly, Includes Key Nos. 24-31	1
5		Axle Top Pad		24	64785-005	Torque Box, Replaces 64785-004	1
	66316-001	Left Hand	1	25	67478-000	Cross Member C-Channel <i>Replaces 64970-000</i>	1
	66316-002	Right Hand	1	26	65144-000	Cross Member Bar Pin Clamp (Aluminum) Cross Member Gusset	4
	58821-022	Axle Clamp Fastener Kit, Axle Set, Includes Key Nos. 6-8		27	66503-001	RH Top, LH Bottom	2
6	66323-000	5/8"-18 UNF x 9.45" U-bolt	4	28	66503-002	LH Top, RH Bottom	2
7	66897-000	5/8"-18 UNF U-bolt Tall Nut	8	29	32043-016	5/8"-11 UNC x 8" Hex Bolt	8
8	22962-004	5/8" Hardened Flat Washer	8	30	66637-000	5/8"-11 UNC Flange Locknut <i>Replaces 47764-000</i>	8
9	48411-015	Torque Rod Assembly, Includes Key No.10	2	31	22962-004	5/8" Hardened Flat Washer	8
10	47691-000L	****Torque Rod Bushing	4	32		*Torque Box Axle Bracket - Dana (Short)	1
11	57856-000	1/32" Torque Rod Shim (as required)	4	33		*Torque Box Axle Bracket - Dana (Long)	1
	49176-027	Torque Rod Fastener Kit, Axle Set, Includes Key Nos. 12-15		34	22962-004	5/8" Hardened Flat Washer	16
12	32043-002	5/8"-11 UNC x 2 3/4" Hex Bolt	4	35	66174-000L	***Non-Adjustable Axle Bracket Bar Pin Clamp	2
13	32043-019	5/8"-11 UNC x 5 1/2" Hex Bolt	4	36	66274-000	***Adjustable Axle Bracket Bar Pin Clamp	2
14	47764-000	5/8"-11 UNC Locknut	8	37	65737-001	***Axle Bracket Shims	4
15	22962-004	5/8" Hardened Flat Washer	16		66027-002	Torque Box Axle Fastener Kit, Axle Set, Includes Key Nos. 38-40	
16	66308-001	Auxiliary Bumper	2	38	58917-003	3/4"-10 UNC x 5 1/2" Hex Bolt	4
17		*M10 Flanged Locknut	2	39	49842-000	3/4"-10 UNC Locknut	4
	60961-149	Shock Absorber Service Kit, One Side, Includes Key Nos. 18-23		40	22962-001	3/4" Hardened Flat Washer	8
18		**Shock Absorber Assembly M12 Stud Mount, Includes Key Nos.19-20	2	Not Shown	70867-001	P-80 Lubricant - 10 ml.	per Bushing 1
19		**Upper Shock Spacer Length 1 5/16"	2				
20		**Lower Shock Spacer Length 2 3/16"	2				

NOTE:

* Not supplied by Hendrickson, used for reference only. Hendrickson is not responsible for components supplied by the vehicle manufacturer. For assistance with maintenance and rebuild instructions on these components see vehicle manufacturer.

** Item included in kit/assembly only, part not sold separately.

*** In the aftermarket, it is acceptable to replace the non-adjustable axle bracket bar pin clamp (Key No. 35) with the adjustable bar pin clamp and axle bracket shims (Key No. 36 and 37).

**** HTB torque rod bushing replacement can be done using the Hendrickson Funnel Tool Part No. 66086-001L.

ULTRA ROD TORQUE ROD BUSHING ASSEMBLY (FUNNEL) TOOL

Hendrickson Part No.
66086-001L

This is a general parts list to provide directional information. Components may vary by model. Questions in regards to parts, contact Hendrickson Truck Parts at 1.866.755.5968 (Toll-free U.S. and Canada), 630.910.2800 (Outside U.S. and Canada) or e-mail: truckparts@hendrickson-intl.com.

www.hendrickson-intl.com



Truck Commercial Vehicle Systems
800 South Frontage Road
Woodridge, IL 60517-4904 USA

1.866.755.5968 (Toll-free U.S. and Canada)
630.910.2800 (Outside U.S. and Canada)
Fax 630.910.2899