

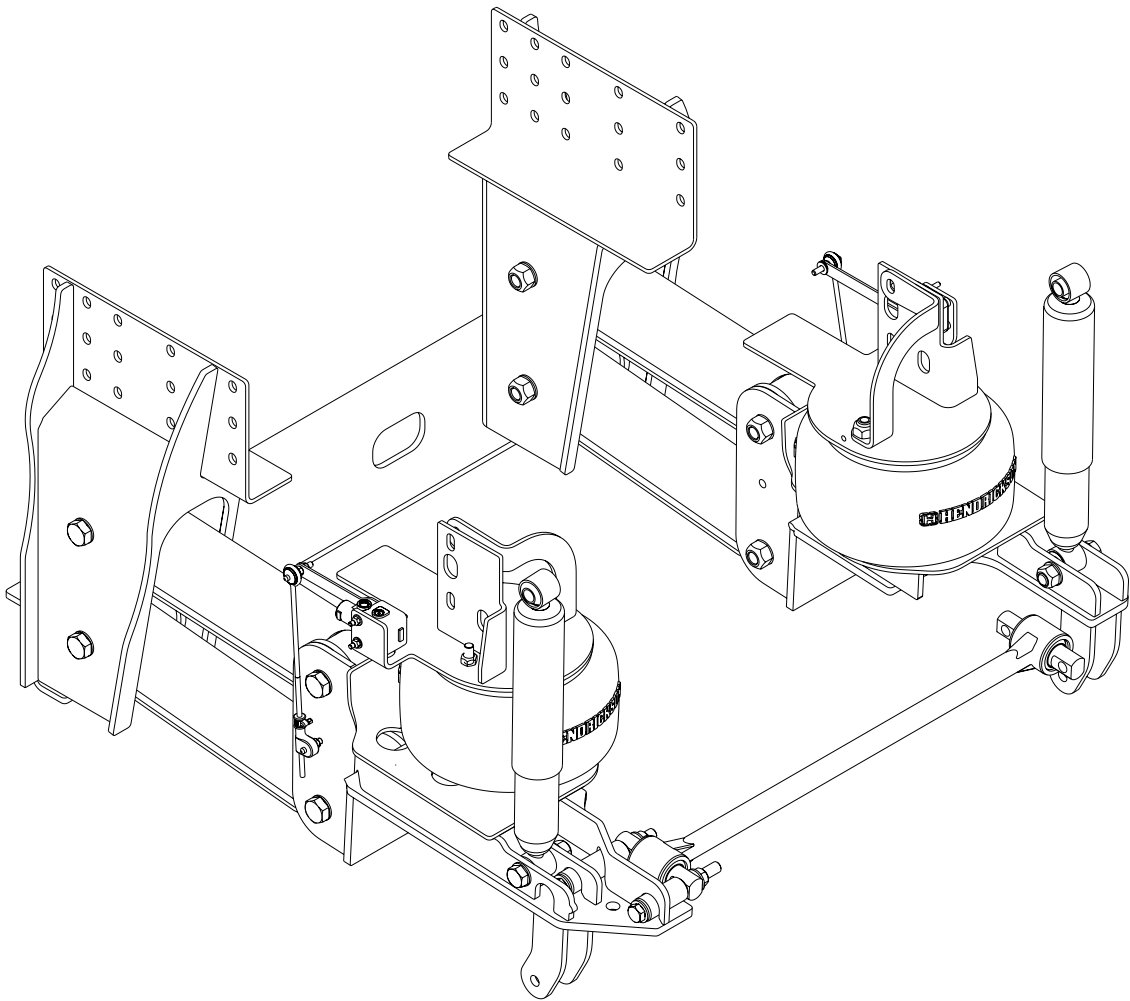
PARTS LIST

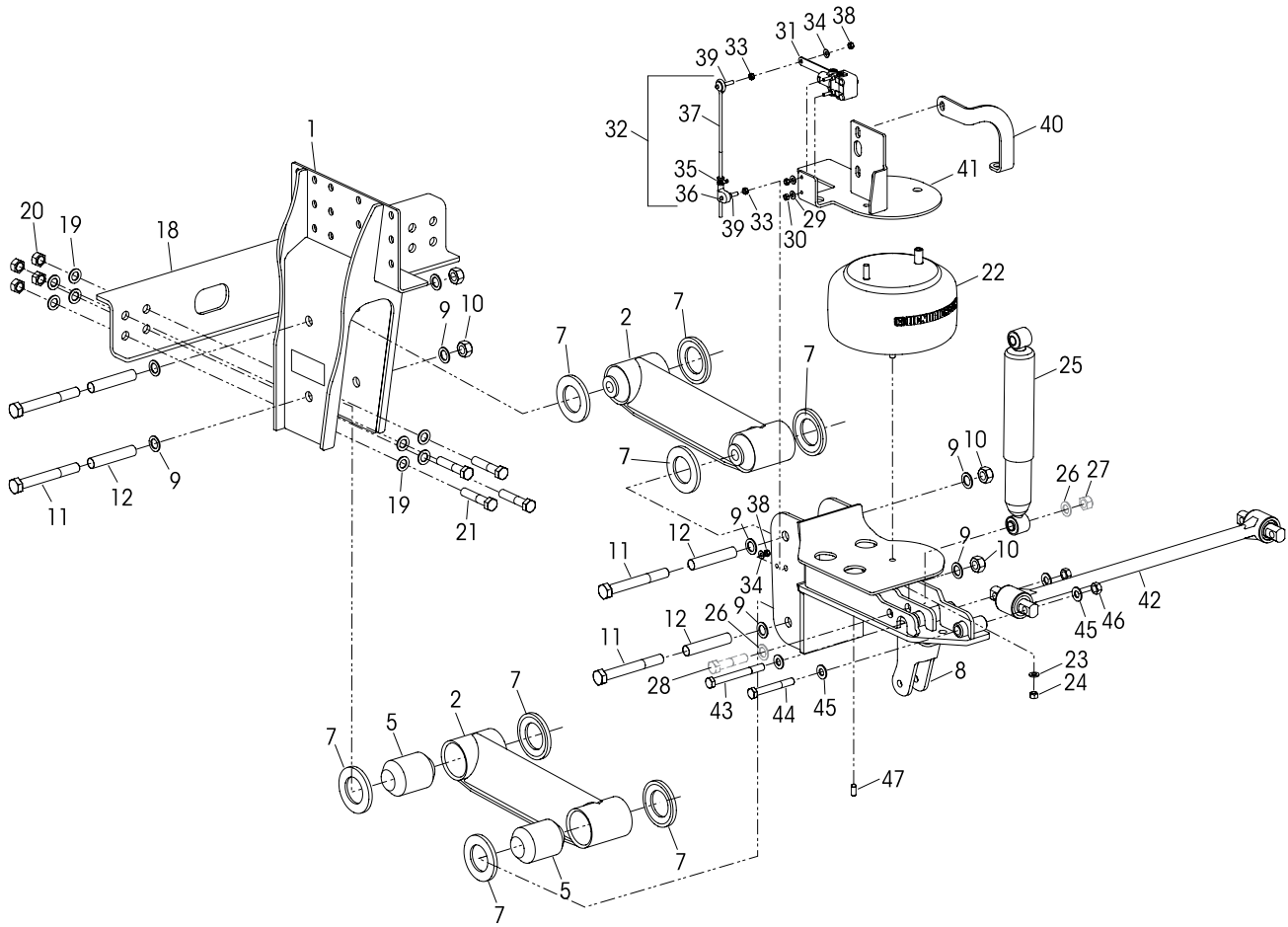
PARASTEER™ Front Air Suspension

LIT NO: SP-163

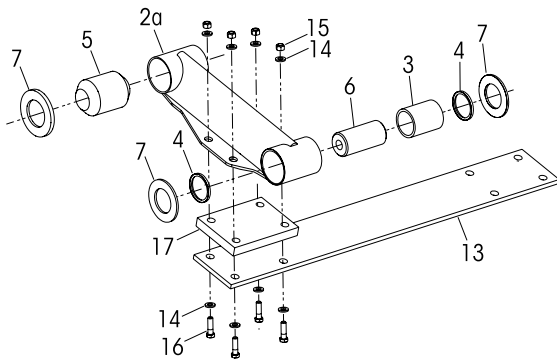
DATE: February 2011

REVISION: C





Models built between 9/98 through 12/99 configuration





KEY NO.	PART NO.	DESCRIPTION	VEHICLE QTY.	KEY NO.	PART NO.	DESCRIPTION	VEHICLE QTY.
1	59521-001	LH Frame Hanger	1	17	59524-000	Spacer Plate TCFE/CSFE HDPE 9/98-12/99 <i>(No Spacer Plate Needed for TCRE/CSRE, TSFE/C1FE, HDRE)</i>	2
	59521-002	RH Frame Hanger	1	18		Cross Member	1
2	59536-000	Beam Assembly • Models with Transverse torque rod 1/00-current, Includes Key No. 5	4		59538-000	• Models w/transverse torque rod 1/00-current	
2a	34013-108	Lower Beam Assembly Service Kit, One Side • Models with transverse leaf 9/98-12/99 <i>Replaces 59533-000, Includes Key Nos. 3-6</i>			59540-000	• Models w/transverse leaf 9/98-12/99	
		Bushing Service Kit, Axle Set,		19	22962-001	¾"-Hardened Flat Washer	16
	34013-105	• Models with transverse torque rod, 1/00-current, Includes Key Nos. 5,7		20	49842-000	¾"-10 UNC Locknut	8
	34013-100	• Models with transverse leaf, 9/98-12/99, Includes Key Nos. 3-7		21	50764-007	¾"-10 UNC x 2¼" Bolt, <i>Replaces 50764-011</i>	8
3	59526-001	PTFE Bushing • Models w/transverse leaf 9/98-12/99	2			Air Spring Fastener Service Kit, Axle Set, Includes Key Nos. 22-24	
4	59527-000	Rubber Seal • Models w/transverse leaf 9/98-12/99	4		49177-007	Blue Bird TCRE/CSRE, TCFE/CSFE/HDRE, HDPE, QBRE/C4RE	
5	59528-001	Beam Bushing • Models w/transverse torque rod, 1/00-current • Models w/transverse leaf 9/98-12/99	8 6		49177-008	Blue Bird TSFE/C1FE(Flat Floor)	
6	59498-001	Inner Metal • Models w/transverse leaf 9/98-12/99	2	22		Air Spring	2
7	59803-000	Thrust Washer	16		59484-002L	Blue Bird TCRE/CSRE, TCFE/CSFE/HDRE, HDPE, QBRE/C4RE	
8		***Axle Seat			59601-002L	TSFE/C1FE (Flat Floor)	
		• Left Hand	1	23	22962-014	½"-Hardened Flat Washer	2
	64207-001	Blue Bird TCFE with Standard Floor/CSFE, HDRE <i>Replaces 60310-001 & 59491-001</i>		24	17700-010	½"-13 UNC Nylocknut	2
	64208-001	Blue Bird TSFE/C1FE, TCFE with Flat Floor		25		Shock Absorber	2
	64209-001	Blue Bird HDPE, <i>Replaces 60212-001 & 59503-001</i>			60665-005L	• 9/98-11/01, <i>Replaces 59483-000</i>	
	64210-001	Blue Bird C4RE			60998-002L	• 11/01-current	
	64210-001	• Right Hand	1	26		*Washer	4
	64207-002	Blue Bird TCFE with Standard Floor/CSFE, HDRE <i>Replaces 59491-002</i>		27		*Locknut	2
	64208-002	Blue Bird TSFE/C1FE, TCFE with Flat Floor		28		*Bolt	2
	64209-002	Blue Bird HDPE, <i>Replaces 59503-002</i>			59013-000	Height Control Valve Service Kit, One Side, Includes Key Nos. 29-31	
	64210-002	Blue Bird C4RE		29	22962-028	¼"-Hardened Washer	4
	64412-001	*** Axle Seat Service Kit, Axle Set <i>Replaces 60303-001, 59515-002, & 59515-001, (Blue Bird TSFE/C1FE, TCFE with Flat Floor)</i>		30	49983-000	¼"-20 UNC Locknut	4
	64412-002	<i>Replaces 60320-001, 59509-002, & 59509-001 (Blue Bird TCRE/CSRE, & QBRE)</i>		31	60501-000	Height Control Valve	2
	59568-001	Pivot Bolt Kit, Axle Set, Includes Key Nos. 9-12		32	58994-010L	Height Control Valve Linkage Assembly, Includes Key Nos. 33-39	2
9	22962-002	7/8" Hardened Flat Washer	16	33		**5/16"-18 UNC Nut	
10	60266-000	7/8"-9 UNC Locknut, <i>Replaces 50106-000</i>	8	34		**5/16"-Hardened Washer	
11	59563-001	7/8"-9 UNC x 7½" Pivot Bolt	8	35		**Valve Arm Clamp	
12	59504-000	Plastic Liner	8	36		**Adjustment Valve Arm Joint	
13	60206-001	Transverse Leaf 9/98-12/99, <i>Replaces 59485-000</i>	1	37		**Extension Rod	
14	22962-001	¾"-Hardened Flat Washer 9/98-12/99	16	38		**5/16"-18 UNC Locknut	
15	49842-000	¾"-10 UNC Locknut 9/98-12/99	8	39		**5/16"-18 UNC Stud	
16		¾"-10 UNC Bolt 9/98-12/99	8		59553-000	Air Spring Bracket Service Kit, Axle Set Includes Key Nos. 40-41	
a	50764-007	2¼"-Blue Bird TCRE/CSRE, TSFE/C1FE, HDRE <i>Replaces 50764-011</i>		40	59479-003	LH Air Spring Reinforcement Bracket	1
b	50764-005	3"-Blue Bird TCFE/CSFE			59479-004	RH Air Spring Reinforcement Bracket	1
c	50764-010	4¼"-Blue Bird HDPE		41	59482-001	LH Upper Air Spring Hanger	1
					59482-002	RH Upper Air Spring Hanger	1
				42	62000-745	Transverse Torque Rod • 1/00-current, <i>Replaces 32271-117</i>	2
					49176-010	Transverse Rod Fastener Service Kit • 1/00-current, Includes Key Nos. 44-47	
				43	32043-007	5/8"-11 UNC x 7" Hex Bolt	1
				44	32043-019	5/8"-11 UNC x 5½" Hex Bolt	1
				45	22962-004	5/8"-Hardened Washer	4
				46	47764-000	5/8"-11 UNC Locknut	2
				47	59537-001	Dowel Pin	2

NOTE: * Not supplied by Hendrickson, used for reference only. Hendrickson is not responsible for components supplied by the vehicle manufacturer. For assistance with maintenance and rebuild instructions on these components see vehicle manufacturer.

** Item included in kit/assembly only, part not sold separately.

*** The following axle seat part numbers must be replaced in pairs with the appropriate axle seat service kit: 59515-001, 59515-002, 60303-001 replaced by 64412-001 and 59509-001, 59509-002, 60320-001 replaced by 64412-002.

This is a general parts list to provide directional information. Components may vary by model. Questions in regards to parts, contact Hendrickson Truck Parts at 1.866.755.5968 (Toll-free U.S. and Canada), 630.910.2800 (Outside U.S. and Canada) or e-mail: truckparts@hendrickson-intl.com.

www.hendrickson-intl.com



Truck Commercial Vehicle Systems
800 South Frontage Road
Woodridge, IL 60517-4904 USA

1.866.755.5968 (Toll-free U.S. and Canada)
630.910.2800 (Outside U.S. and Canada)
Fax 630.910.2899