

H PARTS LIST

HT250US UNDERSLUNG

LIT NO: L582

DATE: February 2020

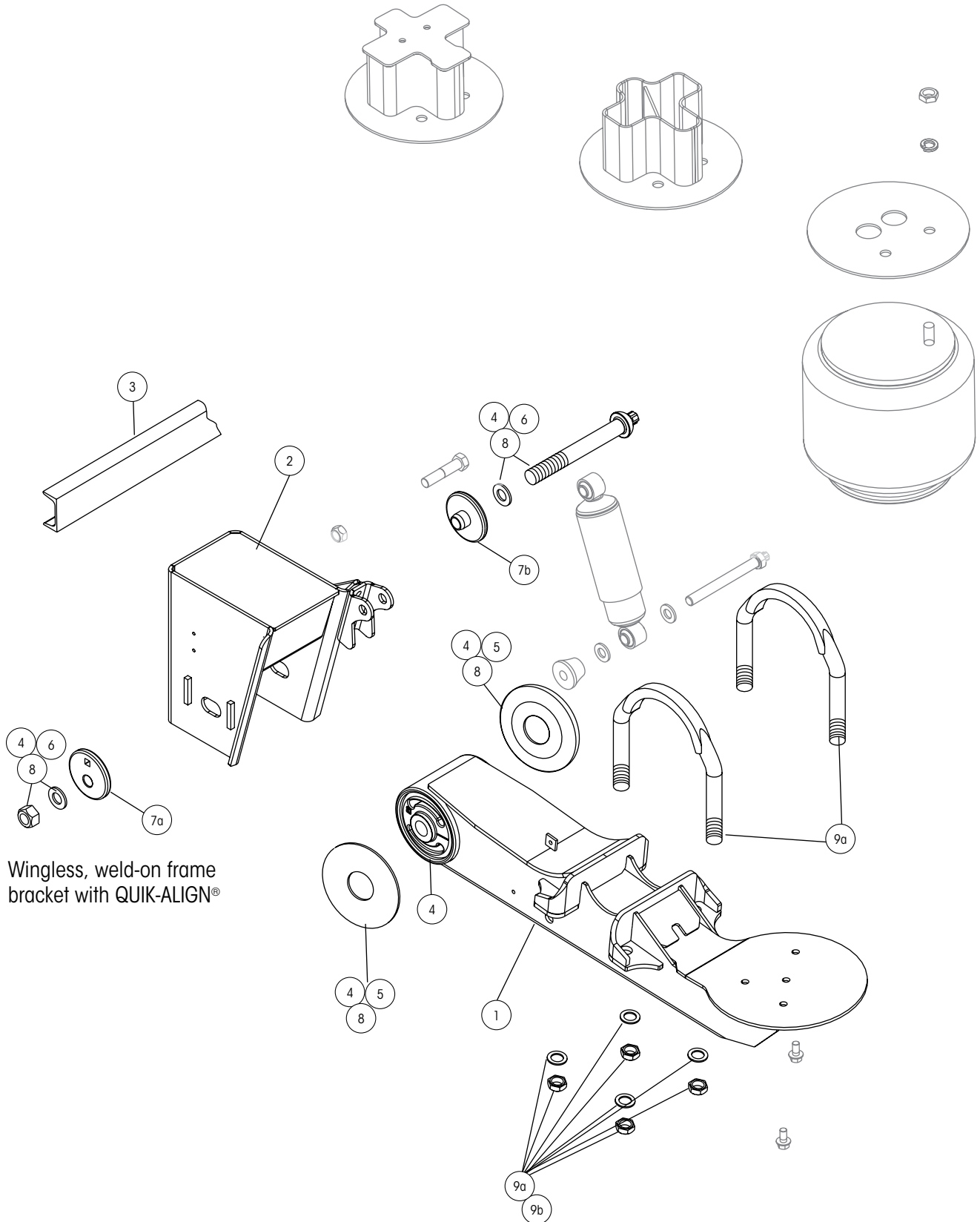
REVISION: H



HT250US UNDERSLUNG PARTS LIST



Picture shown may not resemble all models.



Wingless, weld-on frame bracket with QUIK-ALIGN®



HT250US UNDERSLUNG PARTS LIST

ITEM	DESCRIPTION	PART NO.	QTY. PER SUSP.	NOTE
1	BEAM ASSEMBLY			
	Standard			
	Roadside	S-24186-1	1	All models except steer axles
	Curbside	S-24186-2	1	All models except steer axles
	Steer (Not Shown)			
	Roadside	S-29303-1	1	Steer axles only
	Curbside	S-29303-1	1	Steer axles only
2	FRAME BRACKET¹			See L1266 Frame Bracket Parts List
3	FRAME BRACKET C-CHANNEL	A-1631-19	1	All models
4	TRI-FUNCTIONAL[®] II BUSHING KIT²	S-24691	2	Includes bushing, bushing tube spacers, round head bolt, prevailing torque hex nut, hardened washers and lube
5	BUSHING TUBE SPACER	S-21099	4	All models
6	QUIK-ALIGN[®] PIVOT BOLT KIT	S-24679	2	Includes round head bolt, hardened washers and prevailing torque hex nut
7	ALIGNMENT COLLARS			
	7a Eccentric	S-20925	2	Alignment hole is off center
	7b Concentric	S-20924	2	Alignment hole is centered
8	BUSHING TUBE SPACER KIT	S-26369	2	Includes round head bolt, hardened washers, prevailing torque hex nut and bushing tube spacers
9	U-BOLT KIT			
	9a 19.5" or Larger Tires	S-21140/4	4	Includes (1) stepped U-bolt and hardware; axle spacer is not needed
	9b 17.5" Tires	S-22894/4	4	Includes (1) flattened U-bolt and hardware; axle spacer is needed with flattened U-bolt
10	AXLE SPACER	S-20701	4	Axle spacer is not needed with stepped U-Bolt. For use with flattened U-bolt only. Must order with 9b.

1. Other options exist. Contact Hendrickson for assistance.

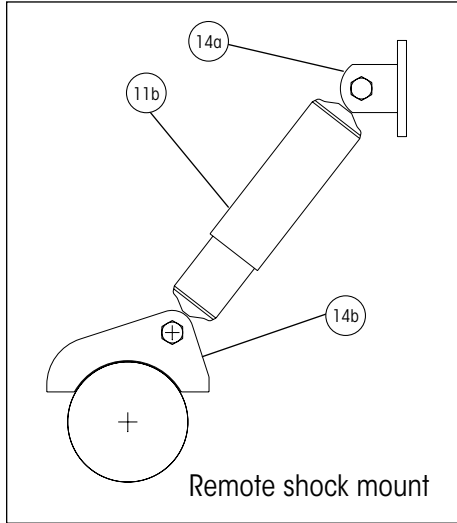
2. Bushing tool S-21307 is required to correctly re-bush the suspension.

NOTE: Identification tag can be found on the front of the roadside frame bracket or the inside of the curbside beam.

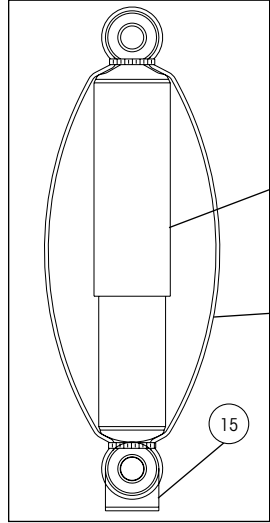
HT250US UNDERSLUNG PARTS LIST



Picture shown may not resemble all models.

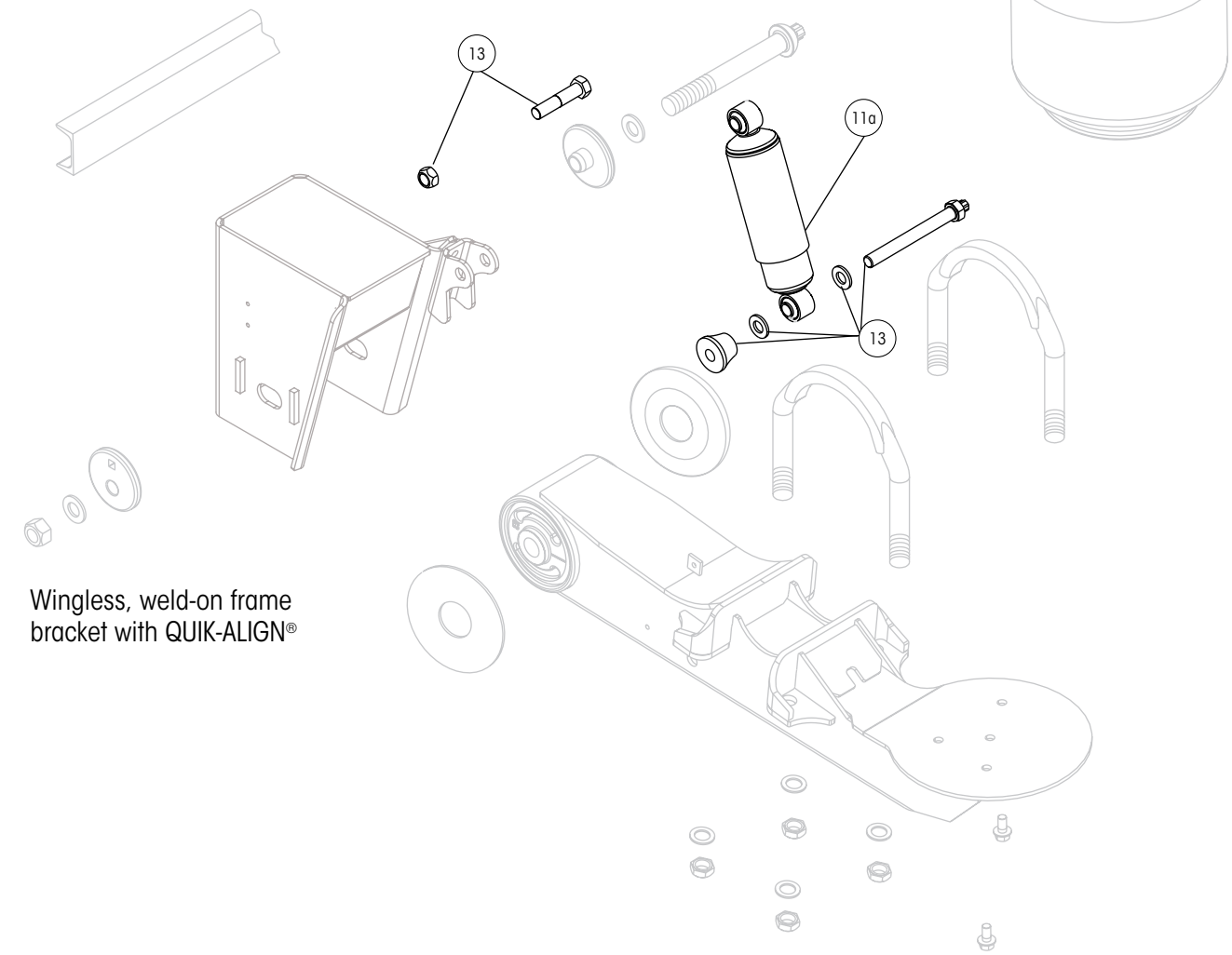


Remote shock mount



Standard shock mount with shock strap

(Shock not included with shock strap kit)



Wingless, weld-on frame bracket with QUIK-ALIGN®



HT250US UNDERSLUNG PARTS LIST

11 & 12 SHOCK ABSORBERS AND SHOCK STRAP KITS				
DESCRIPTION	SHOCK PART NO. (11)	QTY PER SUSP.	SHOCK STRAP KIT NO. (12) ³	QTY PER SUSP.
a Standard Shock Mount				
Standard Travel				
3.5" to 4" RH	S-23548	2	C-23086-11	1
5.5" to 6.5" RH	S-23650	2	C-23086-3	1
7.5" to 14" RH	S-23649	2	C-23086-5	1
Standard Travel - High Damping				
5.5" to 6.5" RH	S-23744	2	C-23086-10	1
7.5" to 14" RH	S-23743	2	C-23086-5	1
Limited Jounce				
6.5" to 12" RH	S-23649	2	C-23086-5	1
Limited Jounce - High Damping				
6.5" to 12" RH	S-23743	2	C-23086-5	1
Extended Rebound				
6.5" RH	S-23651	2	C-23086-4	1
Extended Rebound - High Damping				
6.5" RH	S-24579	2	C-23086-8	1
b Remote Shock Mount ⁴				
Standard Travel				
5.5" to 6.5" RH	S-23650	2	S-14587-9	1
7.5" to 9" RH	S-23649	2	S-14587-10	1
12" to 14" RH	S-2212	2	S-14587-3	1
Standard Travel - High Damping				
5.5" to 6.5" RH	S-23744	2	S-14587-11	1
7.5" to 9" RH	S-23743	2	S-14587-10	1
Extended Rebound				
6.5" to 9" RH	S-2212	2	S-14587-3	1
Extended Rebound - High Damping				
6.5" to 9" RH	S-23316	2	S-14587-3	1
c Angled and Frame Clearance Mounting (Not Shown)				
Standard Travel				
6.5", 7.5" and 14" RH	S-23651	2	N/A	1
Standard Travel - High Damping				
6.5", 7.5" and 14" RH	S-24579	2	N/A	1

ITEM	DESCRIPTION	PART NO.	QTY. PER SUSP.	NOTE
13	SHOCK BOLT KIT			(1) Shock bolt is required per shock
	Standard Shock Mount	S-24024	2	
	Standard Shock Mount Lower	S-23642	2	
	Standard Shock Mount Upper	S-2157/2	1	
	Remote Shock Mount	S-2157/2	2	
14	REMOTE SHOCK MOUNT			Also order shock bolt kit S-2157/2
	Upper Assembly	A-5431	2	
	Lower Assembly	S-2723	2	
15	SHOCK STRAP CLEVIS	B-20919	2	Only needed for standard shock mount Included in shock strap kit

3. Shock strap kits: includes (2) straps, (2) clevis and (4) nylon ties

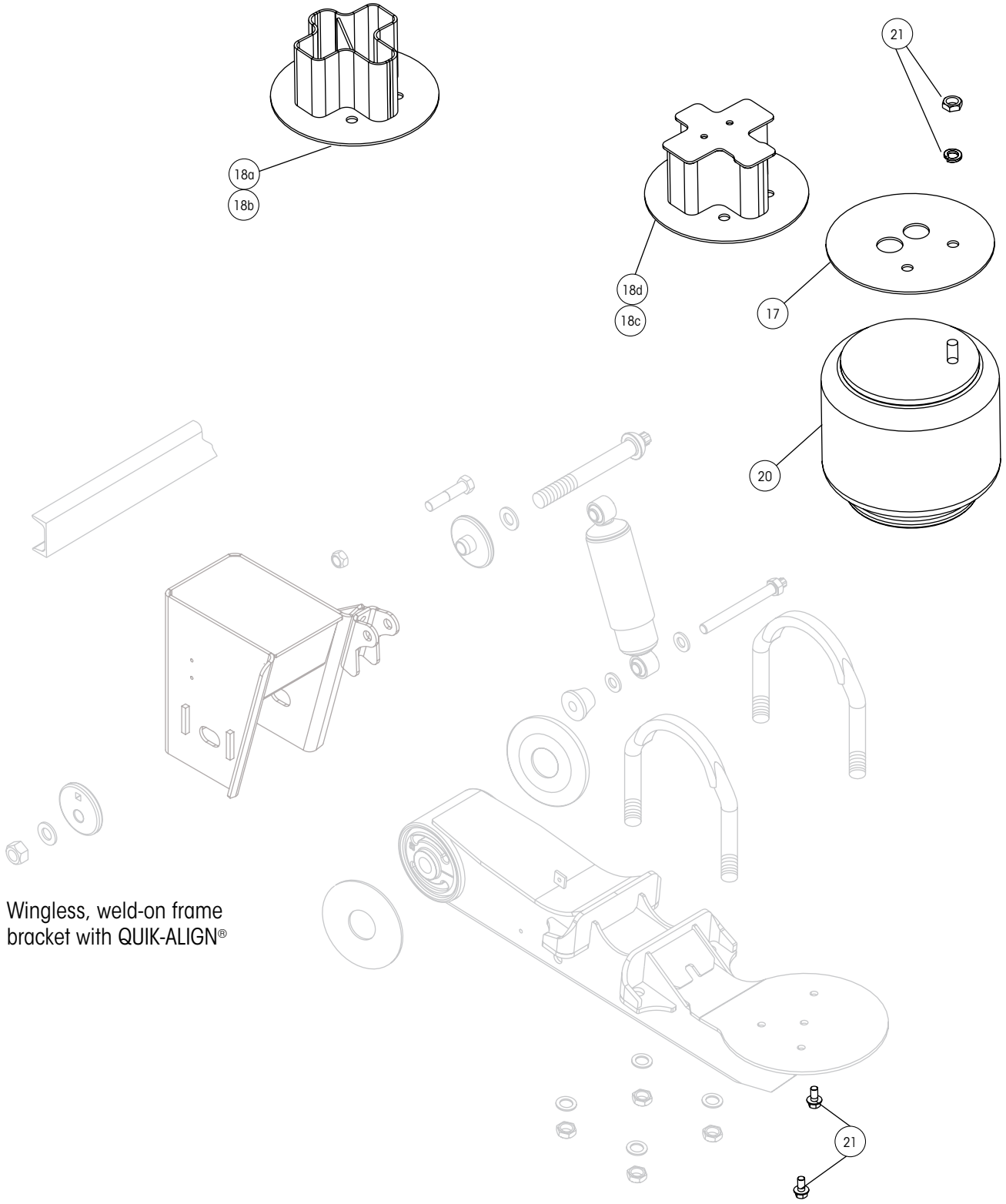
4. Shock strap clevis not included and not needed for remote shock mount

NOTE: Identification tag can be found on the front of the roadside frame bracket or the inside of the curbside beam.

HT250US UNDERSLUNG PARTS LIST



Picture shown may not resemble all models.



Wingless, weld-on frame bracket with QUIK-ALIGN®



HT250US UNDERSLUNG PARTS LIST

ITEM	DESCRIPTION	PART NO.	QTY. PER SUSP.	NOTE
16	UPPER SHOCK CLEVIS (Not Shown)	S-2592	2	3.5" and 4" RH only
17	AIR SPRING MOUNTING PLATE			Air spring mounting plates fit standard and rotated mounting types
	Weld-on, Angled and Frame Clearance			
	3.5" to 14" RH	S-21209	2	
	Bolt-on			
	5.5" to 9" RH, Standard Travel	B-21211	2	
18	AIR SPRING SPACER ASSEMBLY ⁵			Air spring spacers fit standard and rotated air spring mounting types. Includes air spring plate and spacer assembly.
	18a Weld-on, Standard Travel			
	12" RH	C-21210-3	2	With 3" spacer with top plate
	14" RH	C-21210-5	2	With 5" spacer with top plate
	18b Weld-on, Limited Jounce			
	6.5" and 7.5" RH	C-21210-1	2	With 1" spacer with top plate
	9" RH	C-21210-3	2	With 3" spacer with top plate
	12" RH	C-21210-5	2	With 5" spacer with top plate. Also on frame angled and frame clearance 14" RH
	18c Bolt-on, Standard Travel			
	12" RH	C-21215-3	2	With 3.2" spacer with top plate
	14" RH	C-21215-5	2	With 5.2" spacer with top plate
	18d Bolt-on, Limited Jounce			
	6.5" and 7.5" RH	C-21215-1	2	With 1.2" spacer with top plate
	9" RH	C-21215-3	2	With 3.2" spacer with top plate
	12" RH	C-21215-5	2	With 5.2" spacer with top plate
19	AIR SPRING SPACER ⁶ (Not Shown)	B-28662	2	For steer axle configurations only
20	AIR SPRING			
	Standard Mount			
	4" RH	S-20010	2	
	3.5" and 4" RH, High Pressure	S-20223	2	
	5.5" to 14" RH	S-20127	2	
	6.5" RH, High Pressure, Short Bellows	S-20716	2	
	7.5" to 14" RH, High Pressure	S-20124	2	
	Rotated Mount			
	5.5" to 14" RH	S-20414	2	
	7.5" to 14" RH, High Pressure	S-20413	2	
21	AIR SPRING MOUNTING KIT	S-20033/2		Order 1 kit per air spring

5. Other options exist. Contact your customer service representative for specific model numbers.

6. Used on all steerable configurations except when paired with bolt-on air spring mounting plate and space assembly.

NOTE: Identification tag can be found on the front of the roadside frame bracket or the inside of the curbside beam.

*Actual product performance may vary depending upon vehicle configuration, operation, service and other factors.
All applications must comply with applicable Hendrickson specifications and must be approved by the respective vehicle manufacturer with the vehicle in its original, as-built configuration.
Contact Hendrickson for additional details regarding specifications, applications, capacities, and operation, service and maintenance instructions.*

Call Hendrickson at 330.489.0045 or 866.RIDEAIR (743.3247) for additional information.



www.hendrickson-intl.com

TRAILER COMMERCIAL VEHICLE SYSTEMS

2070 Industrial Place SE
Canton, OH 44707-2641 USA
866.RIDEAIR (743.3247)
330.489.0045 • Fax 800.696.4416

Hendrickson Canada

250 Chrysler Drive, Unit #3
Brampton, ON Canada L6S 6B6
800.668.5360
905.789.1030 • Fax 905.789.1033

Hendrickson Mexicana

Circuito El Marqués Sur #29
Parque Industrial El Marqués
Pob. El Colorado, Municipio El Marqués,
Querétaro, México C.P. 76246
+52 (442) 296.3600 • Fax +52 (442) 296.3601

L582 Rev H 02-20

© 1997 – 2020 Hendrickson USA, L.L.C. All Rights Reserved. All trademarks shown are owned by Hendrickson USA, L.L.C., or one of its affiliates, in one or more countries.
Information contained in this literature was accurate at the time of publication. Product changes may have been made after the copyright date that are not reflected.

Printed in United States of America