

# AERO CLAD® and AIRTEK® NXT for Freightliner's new Cascadia®

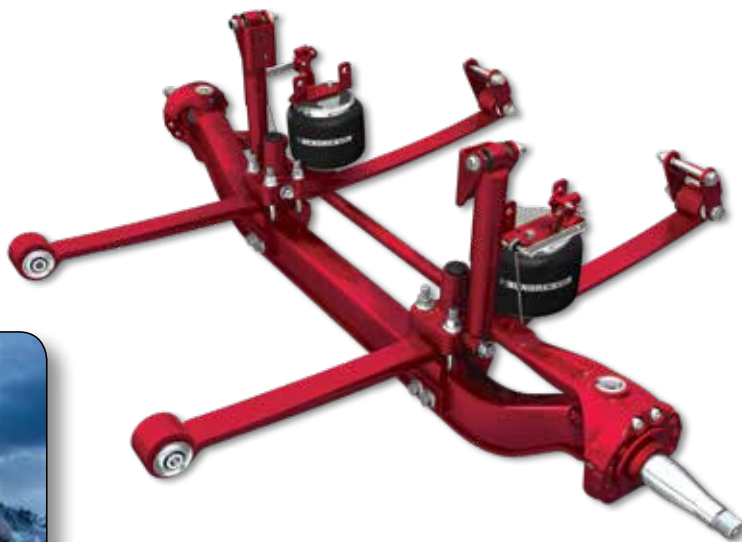


## **AERO CLAD®**

Stainless Steel-Clad Aluminum bumper has a bright mirror finish

## **AIRTEK® NXT**

Integrated front air suspension and steer axle system designed for a premium ride



To learn more about Hendrickson  
visit [www.hendrickson-intl.com](http://www.hendrickson-intl.com)

## AERO CLAD® and AIRTEK® NXT Features and Benefits

### AERO CLAD®



- Lightweight – no negative effect to fuel efficiency
- Easy installation to factory mounts
- Durable, bright mirrored finish
- Finish 10 times thicker than chrome
- Resists corrosion
- Quality American made product
- Ground clearance – 5.5 inches higher relative to OE Aero Package
- Resists cracking, pitting, peeling and fading
- Minor abrasions can be buffed
- Full 5-year limited warranty\*

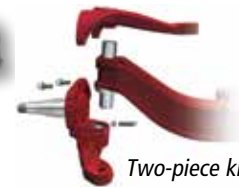
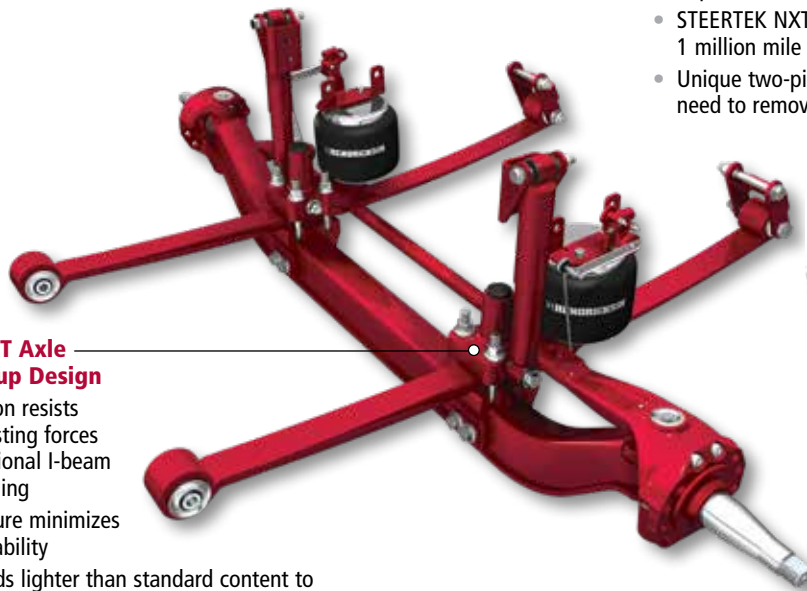
### AIRTEK® NXT

#### Improved Ride and Comfort

- Advanced air suspension technology assists in protecting drivers from road irregularities and hazards

#### Reduced Maintenance

- Durable rubber front and rear bushings require no lubrication
- Premium kingpin bushings and seals provide enhanced protection from the elements to improve bushing life
- STEERTEK NXT comes with a standard 10-year, 1 million mile limited warranty\*\*
- Unique two-piece knuckle design eliminates the need to remove the kingpin to service the knuckle



Two-piece knuckle design

#### Lightweight STEERTEK NXT Axle and Advanced Clamp Group Design

- The box-shaped cross section resists horizontal, vertical and twisting forces more effectively than traditional I-beam axles which improves handling
- Continuous beam architecture minimizes stress points for added durability
- The new design is 65 pounds lighter than standard content to improve load capacity and help enhance fuel efficiency

All applications must be pre-approved by both Hendrickson and Freightliner. The AIRTEK NXT system is integral to and available exclusively with the STEERTEK NXT axle. Contact Hendrickson or Freightliner for availability.

\* Contact your local Hendrickson representative for complete warranty terms, conditions and limitations.

\*\* 10-year, 1 million mile limited warranty covers certain structural components only. Warranty coverage applies to the axle beam, steering arm, knuckle assembly and kingpin when used in applications approved by Hendrickson and within the proper guidelines of the product. Warranty does not cover components experiencing normal wear. Contact Hendrickson for full warranty details and limitations.

Actual product performance may vary depending upon vehicle configuration, operation, service and other factors.

Call Hendrickson at **630.910.2800** or **855.RIDERED (743.3733)** for additional information.



#### TRUCK COMMERCIAL VEHICLE SYSTEMS

800 South Frontage Road  
Woodridge, IL 60517-4904 USA  
855.RIDERED (743.3733)  
630.910.2800 • Fax 630.910.2899

[www.hendrickson-intl.com](http://www.hendrickson-intl.com)