

H[®] TECHNICAL BULLETIN

TRI-FUNCTIONAL[®] BUSHING REPLACEMENT TOOL

SUBJECT: Drive Plate Replacement Details

LIT NO: B112

DATE: March 2002

Hendrickson recently introduced the new TRI-FUNCTIONAL[®] III Bushing, which features a larger diameter inner bushing tube (figure 1).

Because of this larger inner bushing tube, the new TRI-FUNCTIONAL III Bushing will not fit in the bore of the existing front and rear drive plates on the narrow bushing replacement tool (figure 2).

To remedy this, Hendrickson has developed new drive plates to adapt the narrow bushing tool for use with both current and new TRI-FUNCTIONAL[®] III Bushings. **Simply replace the tool's existing front and rear drive plates with the larger-bored drive plates in this box.**

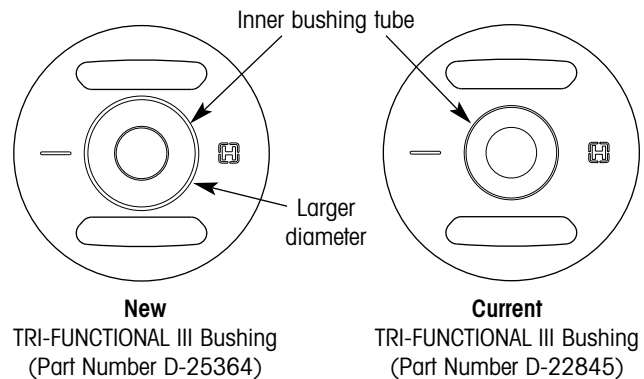


Figure 1. New and current TRI-FUNCTIONAL III Bushings

NOTE: Bushing tool not shown in its entirety (some components purposely omitted for clarity). The two bushings shown on the tool below are for comparison purposes only. In actual use, the tool installs/removes only one bushing at a time.

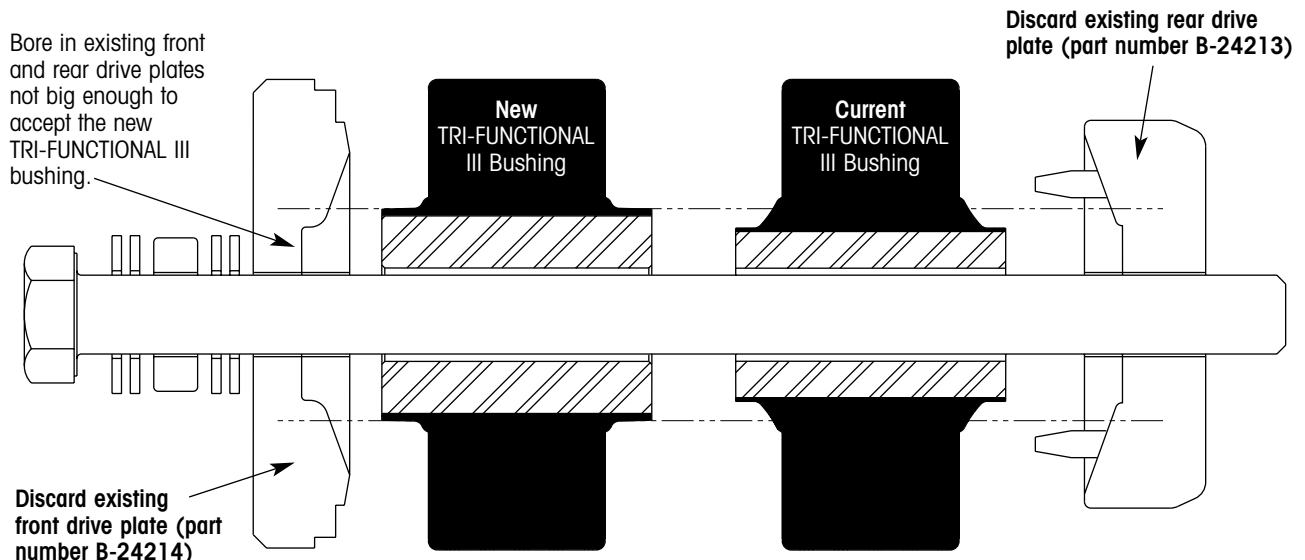


Figure 2. Existing narrow bushing tool drive plates; incompatible with the new TRI-FUNCTIONAL III bushing

For The Road Ahead

H[®] HENDRICKSON

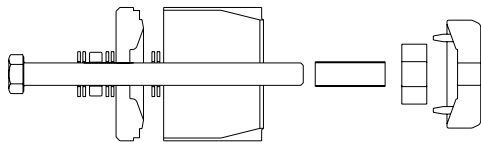
Assemble and use the tool as before, pursuant to the instructions in Hendrickson publication L427, *Bushing Replacement Procedures*.

With these new drive plates, the tool is compatible with both current and new TRI-FUNCTIONAL® III Bushings (figure 3).

IMPORTANT: Hendrickson offers two TRI-FUNCTIONAL® Bushing replacement tools: a narrow

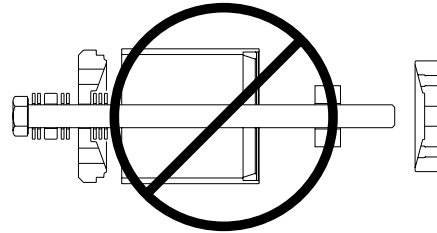
bushing tool (part number S-24736) for use with narrow, 3⁵/₈-inch wide bushings and a standard bushing tool (part number S-21307) for use with standard, 6³/₄-inch wide bushings. **The drive plates in this box are intended to replace the drive plates on the narrow bushing tool only. Do not use this kit to replace the drive plates on the standard bushing tool.**

Narrow bushing tool (part number S-24736) for use with narrow, 3⁵/₈-inch wide bushings



Replace the drive plates on this tool only!

Standard bushing tool (part number S-21307) for use with standard, 6³/₄-inch wide bushings



NOTE: Bushing tool not shown in its entirety (some components purposely omitted for clarity). The two bushings shown on the tool below are for comparison purposes only. In actual use, the tool installs/removes only one bushing at a time.

Bore in new front and rear drive plates big enough to accommodate both new and current TRI-FUNCTIONAL III bushings.

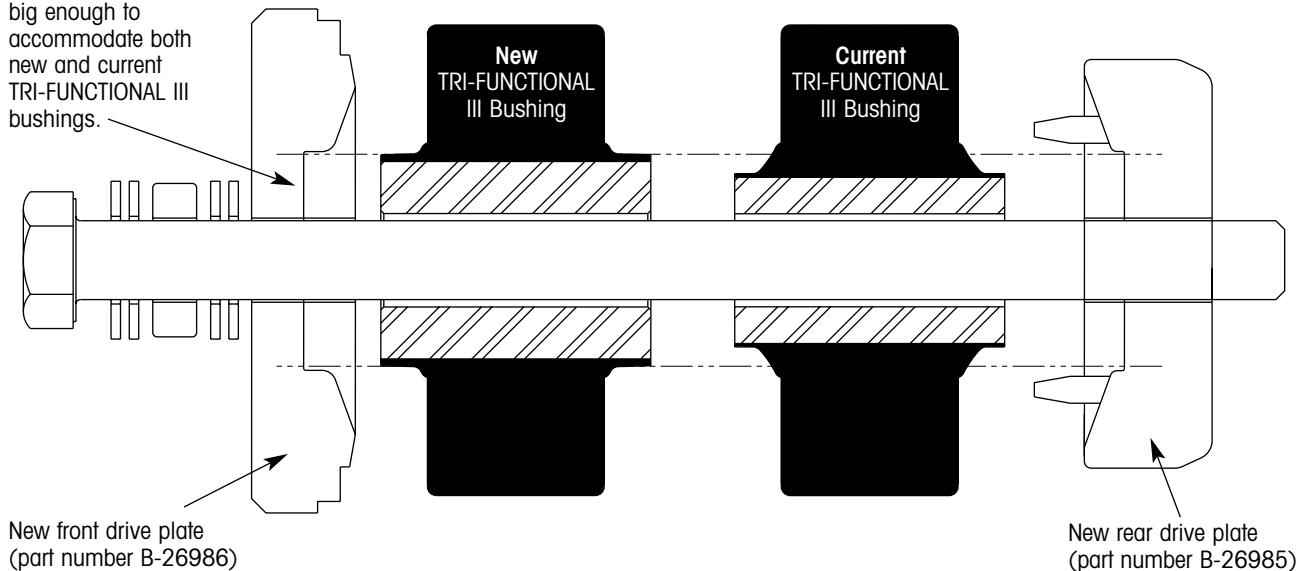


Figure 3. New narrow bushing tool drive plates; compatible with both new and current TRI-FUNCTIONAL III bushings

Trailer Suspension Systems
2070 Industrial Place SE
Canton, OH 44707-2600 USA
800.455.0043
330.489.0045
Fax 800.696.4416



Trailer Suspension Systems
250 Chrysler Drive, Unit #3
Brampton, ON L6S 6B6 Canada
905.789.1030
Fax 905.789.1033