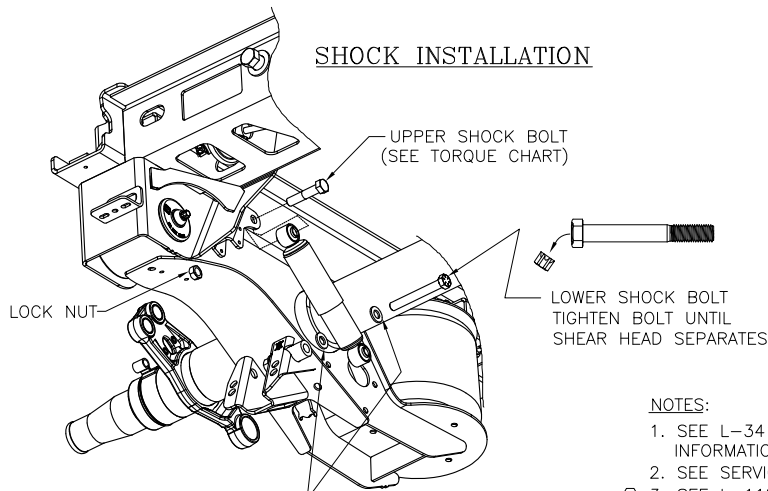


ITEMS ORDERED SEPARATELY, SHIPPED LOOSE

- 1. SPRAY GUARD MOUNTING ANGLE KIT:**
P/N S-22428-2 (37" & 38" I-BEAM CENTERS)
P/N S-22428-8 (43" & 44" I-BEAM CENTERS)
- 2. AIR TANK MOUNTING BRACKET KITS: (SEE PAGE 2)**
P/N S-27742-1 FOR 1488 CU. IN. OR 2800 CU. IN. TANK, (37" & 38" I-BEAM CENTERS)
P/N S-27742-2 FOR 1488 CU. IN. OR 2800 CU. IN. TANK, (43" & 44" I-BEAM CENTERS)
- 3. STINGER:**
S-27028-1 23.75 INCH (SHOWN PAGE 2)
- 4. SLIDER LOCATING BAR:**
LOCATING BAR NOT AVAILABLE FROM HENDRICKSON

SHOCK INSTALLATION



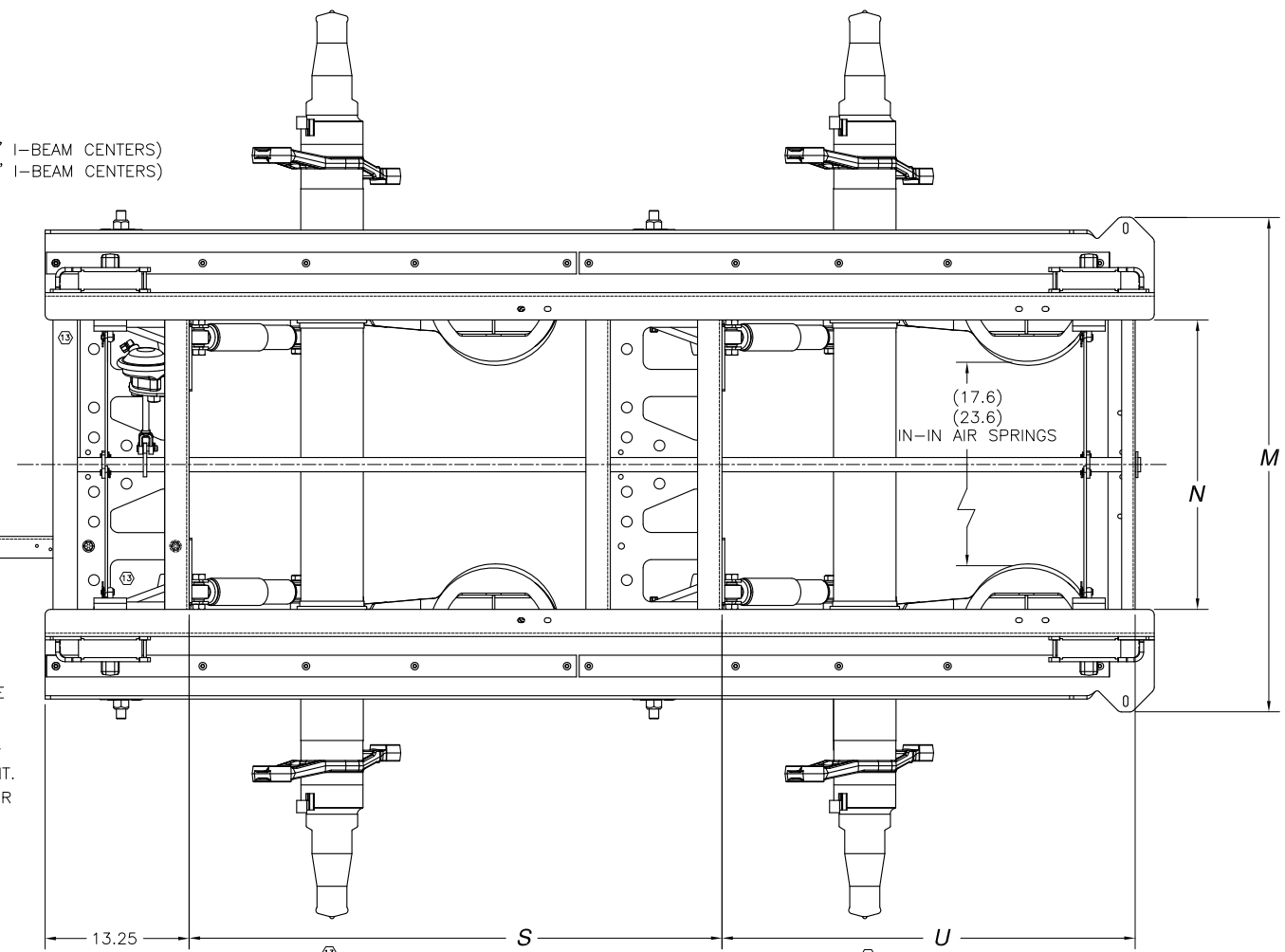
IMPORTANT !
BOLT KIT INCLUDES TWO HARDENED WASHERS PER SHOCK WHICH MUST BE POSITIONED AS SHOWN. THESE WASHERS ARE NON-STANDARD WASHERS WITH TIGHTER TOLERANCED HOLES, DO NOT SUBSTITUTE STANDARD WASHERS FOR THESE PARTS.

NOTES:

- SEE L-341 INTRAAX® INSTALLATION INSTRUCTIONS FOR INFORMATION ON ASSEMBLY, WELDING PROCEDURE, AND ALIGNMENT.
- SEE SERVICE MANUAL FOR INFORMATION CONCERNING MAINTENANCE PROCEDURE.
- SEE L-1182 FOR HEIGHT CONTROL KIT OPTIONS.
- DO NOT WELD ON AXLE TUBE.
- DO NOT WELD ON SLIDER BOX .
- MANUFACTURED UNDER ONE OR MORE OF THE FOLLOWING PATENTS:
OTHER PATENTS PENDING U.S. PATENT NOS. - 5,366,237 - 4,166,640
- DO NOT ROUTE ITEMS THROUGH THIS AREA FOR 9.0 INCH AND LOWER RIDE HEIGHTS DUE TO MINIMAL BEAM TO FRAME CLEARANCE.

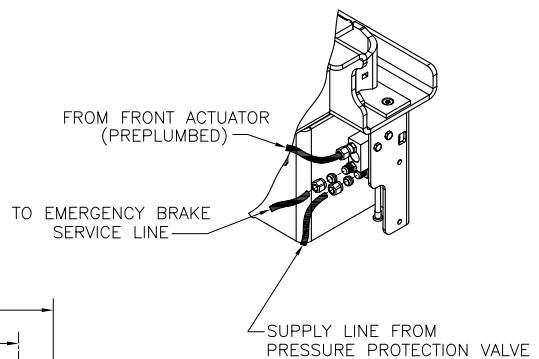
CLEARANCE SPECIFICATIONS:

- 1.0 INCH MINIMUM CLEARANCE REQUIRED BETWEEN TOP OF TIRE AND BOTTOM OF TRAILER STRUCTURE WHEN AXLE IS AT FULL JOUNCE.
- 2.0 INCHES MINIMUM CLEARANCE REQUIRED BETWEEN INSIDE OF TIRE AND TRAILER STRUCTURE FOR TIRE AND LATERAL MOVEMENT.
- .75 INCH MINIMUM CLEARANCE MUST BE MAINTAINED AROUND AIR SPRING WHEN IT IS AT MAXIMUM DIAMETER.

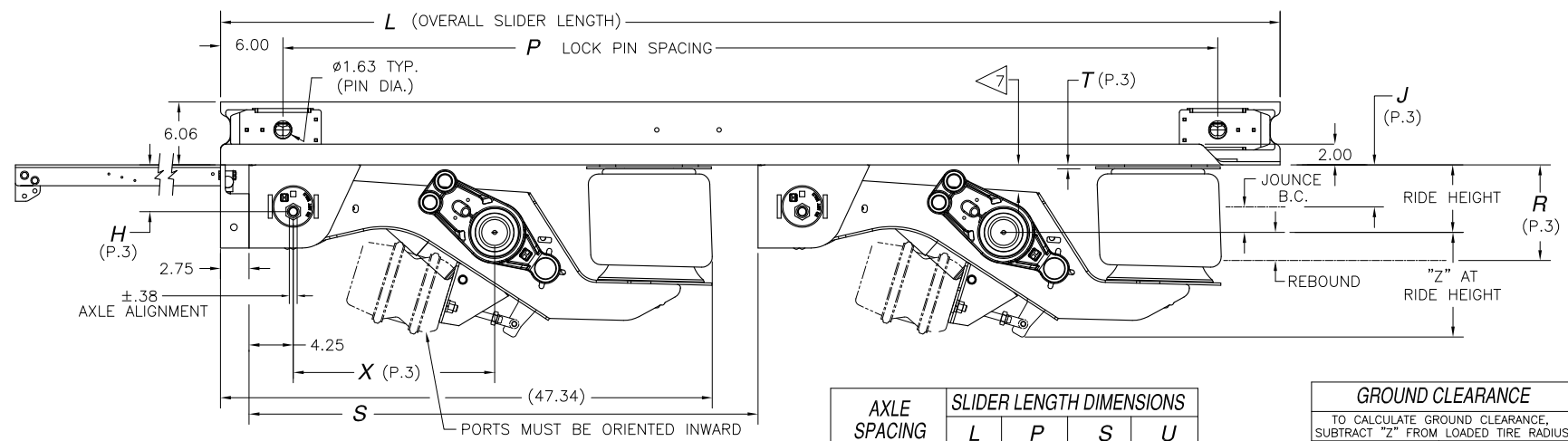
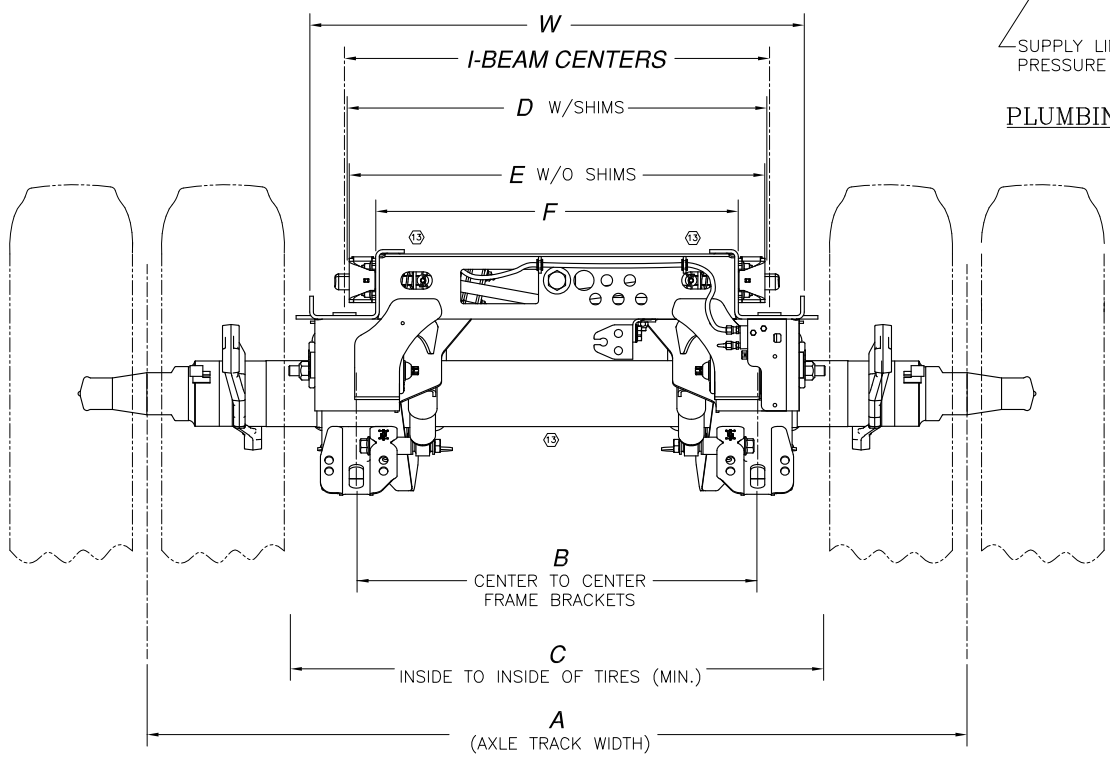


TORQUE SPECIFICATIONS

DESCRIPTION	SIZE	TORQUE (FT-LB)
SHOCK BOLT, UPPER	3/4-10	210-235
SHOCK BOLT, LOWER	3/4-10	210-235
AIR SPRING NUTS, UPPER	3/4-16	80-100
AIR SPRING NUT, LOWER	1/2-13	55-60
S-CAM BEARING BOLTS	3/8-16	35-45
BRAKE CHAMBER MTG. NUTS	5/8-11	100-110
AIR ACTUATOR VALVE MTG. BOLTS	1/4-20	75-100 IN-LB
SPRAY GUARD BRACKET BOLTS	3/8-16	35-45
LOCK PIN BOX BOLTS	5/8-11	200-220
AIR ASSIST CHAMBER MTG. BOLTS	7/16-14	32-38
ACTUATOR AIR LINE FITTINGS	-----	25 MAX.
STINGER MTG. BOLTS	1/2-13	70-80
STINGER AIR LINE BRACKET	3/8-16	35-45
AIR TANK BRACKET BOLTS	3/8-16	35-45
AIR ASSIST CHAMBER JAM NUT	1/2-13	20-30



I-BEAM CENTERS	SLIDER/ SUSPENSION WIDTH DIMENSIONS (INCHES)								
	A	B	C	D	E	F	M	N	W
37"	71.5	35.00	46.50	36.61	36.25	31.63	45.50	26.63	43.13
38"	71.5	35.00	46.50	37.61	37.25	32.63	46.50	27.63	44.13
43"	77.5	41.00	52.50	42.61	42.25	37.63	51.50	32.63	49.13
44"	77.5	41.00	52.50	43.61	43.25	38.63	52.50	33.63	50.13

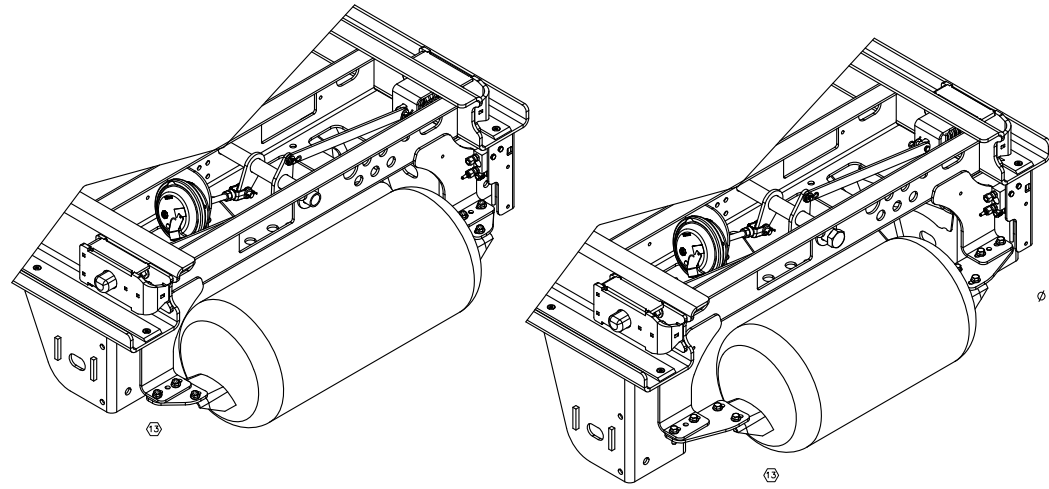


AXLE SPACING	SLIDER LENGTH DIMENSIONS			
	L	P	S	U
49"	102.0	90.0	49.0	38.0
60"	114.0	102.0	60.0	39.0
72"	126.0	114.0	72.0	39.0

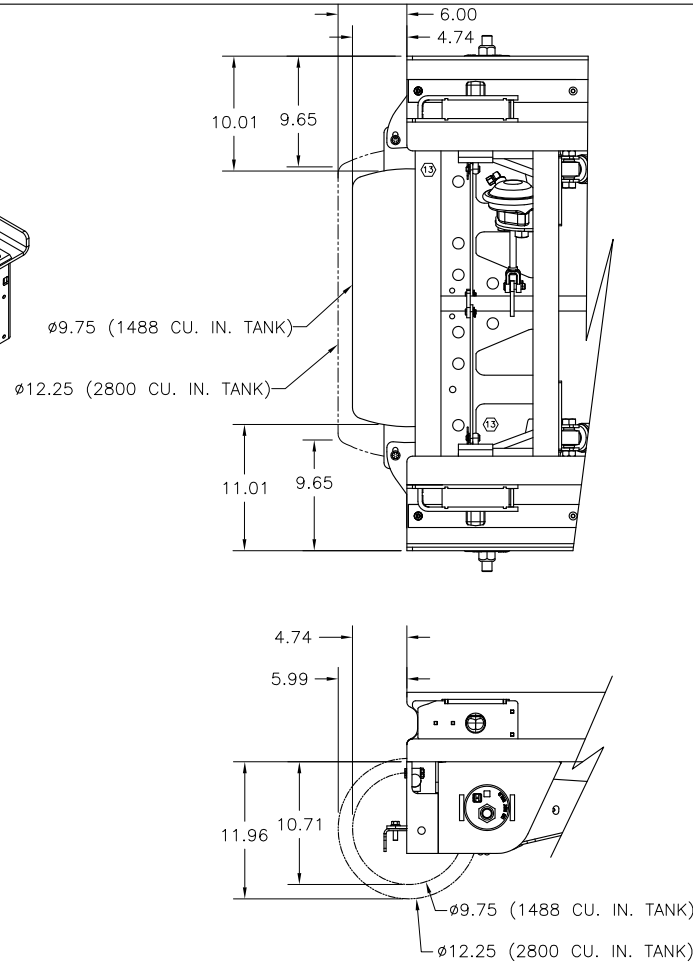
GROUND CLEARANCE	
TO CALCULATE GROUND CLEARANCE, SUBTRACT "Z" FROM LOADED TIRE RADIUS.	
RIDE HEIGHT	"Z"
6.5	9.75
7.5	9.83
8.0	9.88
9.0	10.04
12.0	9.95

This Print remains the property of Hendrickson. All information contained thereon is confidential. It is loaned, subject to return on demand and on express condition that it is not to be copied or used directly or indirectly for any purpose other than the purpose for which it has been loaned to you.

37" & 38" SLIDER 43" & 44" SLIDER



- AIR TANK MOUNTING NOTES:**
- FOR TRAILER WIDTHS OF 37" OR 38" USE TANK BRACKET KIT S-27742-1. (NOTE SHORT BRACKET)
FOR TRAILER WIDTHS OF 43" OR 44" USE TANK BRACKET KIT S-27742-2. (NOTE LONG BRACKET)
(BOTH -1 AND -2 KITS WILL WORK FOR EITHER 1488 CU. IN. OR 2800 CU. IN. TANKS)
 - KITS ARE DESIGNED FOR 27.50" MTG. CENTERS FOR A 1488 CU. IN. TANK AND
29.50" MTG. CENTERS FOR A 2800 CU. IN. TANK.
 - THE 1488 CU. IN. TANK IS SHOWN ABOVE WITH RESPECT TO
TRAILER WIDTHS. OTHER HOLES PROVIDED IN THE BRACKETS WILL ACCOMMODATE
THE USE OF A 2800 CU. IN. TANK BUT GRAPHICALLY WILL LOOK DIFFERENT THAN ABOVE.
 - WITH TANK MOUNTED TO THE FRONT OF THE SLIDER BOX, A MINIMUM OF 52" AXLE SPACING IS REQUIRED
WHEN BUTTED UP AGAINST THE REAR OF A STATIONARY (HENDRICKSON AAL) SUSPENSION.
 - WHEN 60" AND 72" TANDEM SPREADS ARE USED, AIR TANK MAY BE MOUNTED TO REAR SET OF HANGERS.

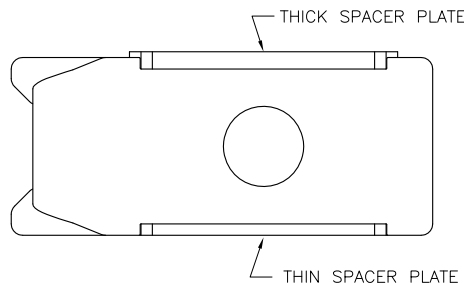


AIR TANK INSTALLATION

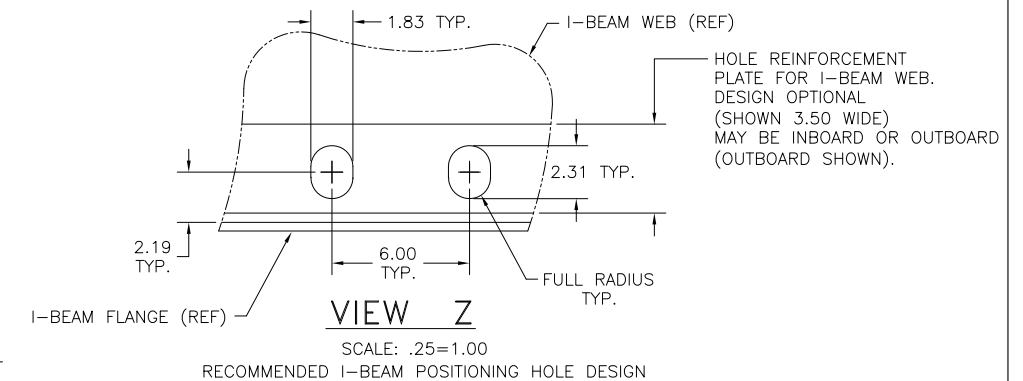
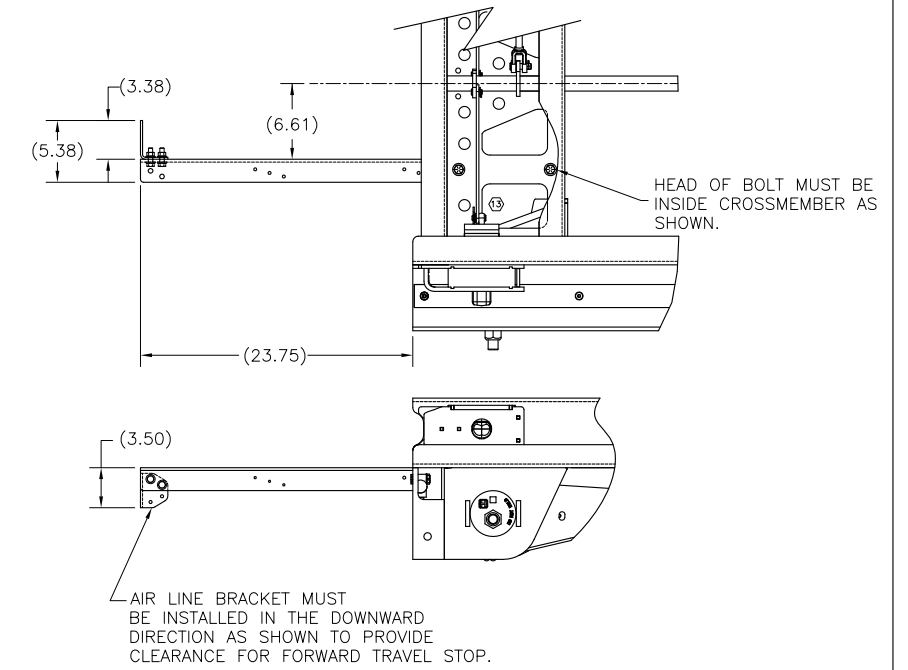
This Print remains the property of Hendrickson. All information contained thereon is confidential. It is loaned, subject to return on demand and on express condition that it is not to be copied or used directly or indirectly for any purpose other than the purpose for which it has been loaned to you.

PIN CAGE PLACEMENT

- NOTE:**
- PIN CAGES HAVE A THICK SPACER PLATE AND A THIN SPACER PLATE:
THE THICK SPACER PLATE MUST BE DOWN WHEN BOTTOM FLANGE OF TRAILER I-BEAM IS .500 THK. OR LESS.
THE THIN SPACER PLATE MUST BE DOWN WHEN BOTTOM FLANGE OF TRAILER I-BEAM IS GREATER THAN .500 THK. BUT DOES NOT EXCEED .750 THK.
 - IF NEEDED AND PIN CAGES NEED FLIPPED.
WHEN GOING FROM ONE THICKNESS TO THE OTHER, THE FRONT PIN CAGE IS FLIP AND MOVED TO THE REAR PIN CAGE LOCATION.
THE REAR PIN CAGE IS FLIPPED AND MOVED TO THE FRONT PIN CAGE LOCATION.

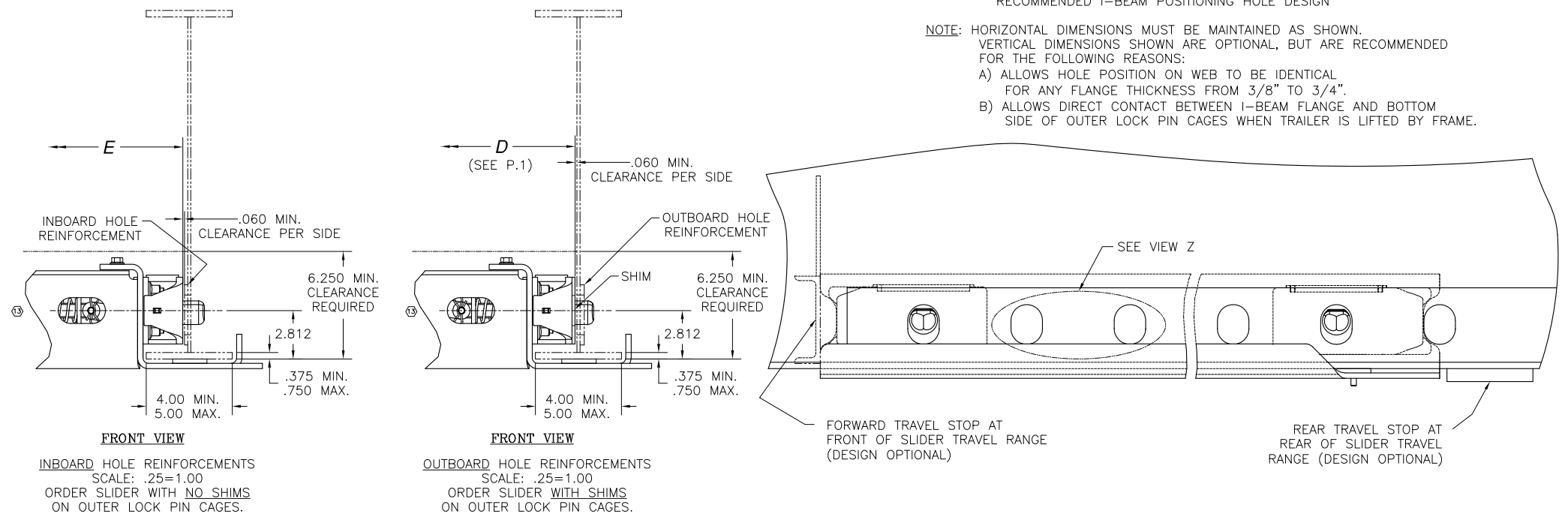


STINGER INSTALLATION



- NOTE:** HORIZONTAL DIMENSIONS MUST BE MAINTAINED AS SHOWN. VERTICAL DIMENSIONS SHOWN ARE OPTIONAL, BUT ARE RECOMMENDED FOR THE FOLLOWING REASONS:
- ALLOWS HOLE POSITION ON WEB TO BE IDENTICAL FOR ANY FLANGE THICKNESS FROM 3/8" TO 3/4".
 - ALLOWS DIRECT CONTACT BETWEEN I-BEAM FLANGE AND BOTTOM SIDE OF OUTER LOCK PIN CAGES WHEN TRAILER IS LIFTED BY FRAME.

TRAILER FRAME REQUIREMENTS



DIMENSION FROM PAGE 1

RIDE HEIGHT	JOUNCE	REBOUND	BUMPER CONTACT	DIMENSION FROM PAGE 1					** SUSPENSION WEIGHT (LB)
				T	H	X	J	R	
6.5	2.3	4.5	1.9	.38	4.5	19.4	4.2	11.0	532.98 (13)
7.5	3.3	3.5	2.9	.38	4.5	19.3	4.2	11.0	532.98 (13)
8.0	3.8	5.2	3.4	.38	4.5	19.2	4.2	13.2	532.98 (13)
9.0	4.8	4.2	4.4	.38	4.5	19.0	4.2	13.2	532.98 (13)
12.0	5.2	4.8	4.9	.38	8.0	19.1	6.8	16.8	542.98 (13)

* BOX WEIGHT INCLUDES: SLIDER BOX WELDMENT WITH FRAME BRACKETS, LOCK PINS AND ALL PIN PULL COMPONENTS (INCLUDING ACTUATOR VALVE, FITTINGS, ETC.) AND NO SHIMS (FOR TRAILERS WITH INTERNAL WEB REINFORCEMENT AT LOCK PIN HOLES).

** SUSPENSION WEIGHT INCLUDES: BEAMS, BUSHINGS, AXLE WRAPS, PIVOT CONNECTION COMPONENTS, AIR SPRING COMPONENTS AND SHOCK ABSORBER COMPONENTS. WEIGHT IS TOTAL FOR TWO SUSPENSIONS.

*** AXLE WEIGHT INCLUDES: AXLE TUBE, SPINDLES, SPIDERS, STANDARD 16.5" X 7" BRAKE COMPONENTS, AND AXLE NUT KIT (BRAKE CHAMBERS AND SLACK ADJUSTERS NOT INCLUDED). WEIGHT IS TOTAL FOR TWO AXLES.

**** OPTION WEIGHT TABLE IS NOT ALL-INCLUSIVE; MANY ADDITIONAL OPTIONS ARE AVAILABLE. CONTACT HENDRICKSON ENGINEERING FOR WEIGHTS OF OPTIONS NOT LISTED IN CHART.

*** AXLE WEIGHT (LB)			
AXLE WALL	STANDARD		
I-BEAM CENTERS	37" & 38"	43" & 44"	
SPINDLE TYPE	HN	499.53	514.99
	HP	518.09	533.63
		(13)	(13)

* SLIDER BOX WEIGHT (LB)

RIDE HEIGHT	49" TANDEM				60" TANDEM				72" TANDEM			
	I-BEAM CENTERS				I-BEAM CENTERS				I-BEAM CENTERS			
	37"	38"	43"	44"	37"	38"	43"	44"	37"	38"	43"	44"
6.5	587.30	591.10	610.27	614.09	620.82	624.62	643.79	647.61	654.36	658.16	677.33	681.15
7.5												
8.0												
9.0												
12.0	613.74	617.54	636.71	640.53	647.26	651.06	670.23	674.05	680.80	684.60	703.77	707.59
	(13)	(13)	(13)	(13)	(13)	(13)	(13)	(13)	(13)	(13)	(13)	(13)

**** OPTION WEIGHT ADDITION (LB)	
OPTIONAL COMPONENT	I-BEAM CENTERS
	37" & 38" 43" & 44"
SHIMS ON BOX (FOR EXTERNAL WEB HOLE REINFORCEMENT)	5.72
16.5" X 7" HXS BRAKES	8.08
16.5" X 8.625" HXS BRAKES	31.20
EXTENDED SERVICE/HIGH-DAMPING SHOCKS	4.00
LOW-PRESSURE AIR SPRINGS	2.40
SEALED CLAMP-ON DUST SHIELDS	29.48
SHOCK STRAPS	1.68
HALDEX BRAKE CHAMBERS (STD. STROKE)	79.96
HALDEX BRAKE CHAMBERS (LONG STROKE)	86.72
HALDEX BRAKE CHAMBERS (LONG STROKE, EXTENDED WARRANTY)	87.24
HALDEX SLACK ADJUSTERS (5.5" OR 6.0" LG.)	28.08
AKH-235-3 HCV KIT (BOLTED LINK)	2.86
STINGER KIT (23.75" LG)	10.02
MUD FLAP MTG. ANGLE KIT	23.80 25.30
AIR TANK BRACKET KIT (2800 C.I. TANK)	2.26 3.24
AIR TANK BRACKET KIT (1488 C.I. TANK)	

NOTES:

- TO OBTAIN TOTAL SYSTEM WEIGHT, ADD ONE ITEM EACH FROM SLIDER BOX, SUSPENSION & AXLE WEIGHT TABLES, PLUS ALL APPLICABLE OPTION WEIGHTS FROM OPTION WEIGHT TABLE.
- CONTACT HENDRICKSON FOR ALLOWABLE RIDE HEIGHT RANGES.

3 JOUNCE AND REBOUND DIMENSIONS CHANGE AS THE RIDE HEIGHT CHANGES FROM THE NOMINAL POSITION.

4 DIMENSIONS "J" & "R" WILL REMAIN CONSTANT REGARDLESS OF RIDE HEIGHT VARIATION FROM NOMINAL POSITION.

This Print remains the property of Hendrickson. All information contained thereon is confidential. It is loaned, subject to return on demand and on express condition that it is not to be copied or used directly or indirectly for any purpose other than the purpose for which it has been loaned to you.