

| ITEM | DESCRIPTION | ARL |
|-------|--------------------|---------|
| 1-199 | ARL KIT COMPONENTS | B-26594 |

ASSEMBLY PROCEDURE FOR REBOUND LIMITER:

1. POSITION UPPER BRACKET ON FRAME AND WELD INTO PLACE.
(POSITION ON LEFT AND RIGHT BRACKETS ARE SLIGHTLY DIFFERENT).
2. ATTACH LOWER BRACKETS TO SIDE OF SUSPENSION BEAM USING THE FOUR 5/8" FLANGE BOLTS AND NUTS. TIGHTEN NUTS LEAVING THE BRACKET LOOSE ENOUGH TO ALLOW ADJUSTMENT.
3. VERIFY THAT THE CHAINS HAVE THE CORRECT NUMBER OF LINKS INDICATED FOR THE APPLICATION'S RIDE HEIGHT.
4. LOWER THE SUSPENSION TO FULL REBOUND.
5. ON REAR MOUNTED SHOCK ABSORBERS, MEASURE 3/8" OFFSET FROM THE BOTTOM EDGE OF THE SHOCK ABSORBER DUST TUBE AND MARK WITH A PAINT PEN OR FELT TIP MARKER. IF THE SUSPENSION IS NOT EQUIPPED WITH REAR SHOCKS, OFFSET 1/4" ON THE FRONT SHOCK AND MARK.
6. RAISE THE SUSPENSION UNTIL THE EDGE OF THE SHOCK ABSORBER DUST TUBE AND THE MARK ON THE BODY OF THE SHOCK ARE ALIGNED.
7. ASSEMBLE CHAIN TO LOWER BRACKET WITH BOLTS PROVIDED ON CHAIN.
8. ADJUST LOWER BRACKET ON SIDE OF SUSPENSION BEAM UNTIL ALL THE SLACK IS TAKEN OUT OF THE CHAIN. TIGHTEN ALL BOLTS AND TORQUE TO SPECIFICATION.
9. WELD TOP OF LOWER BRACKET TO SIDE OF SUSPENSION BEAM.

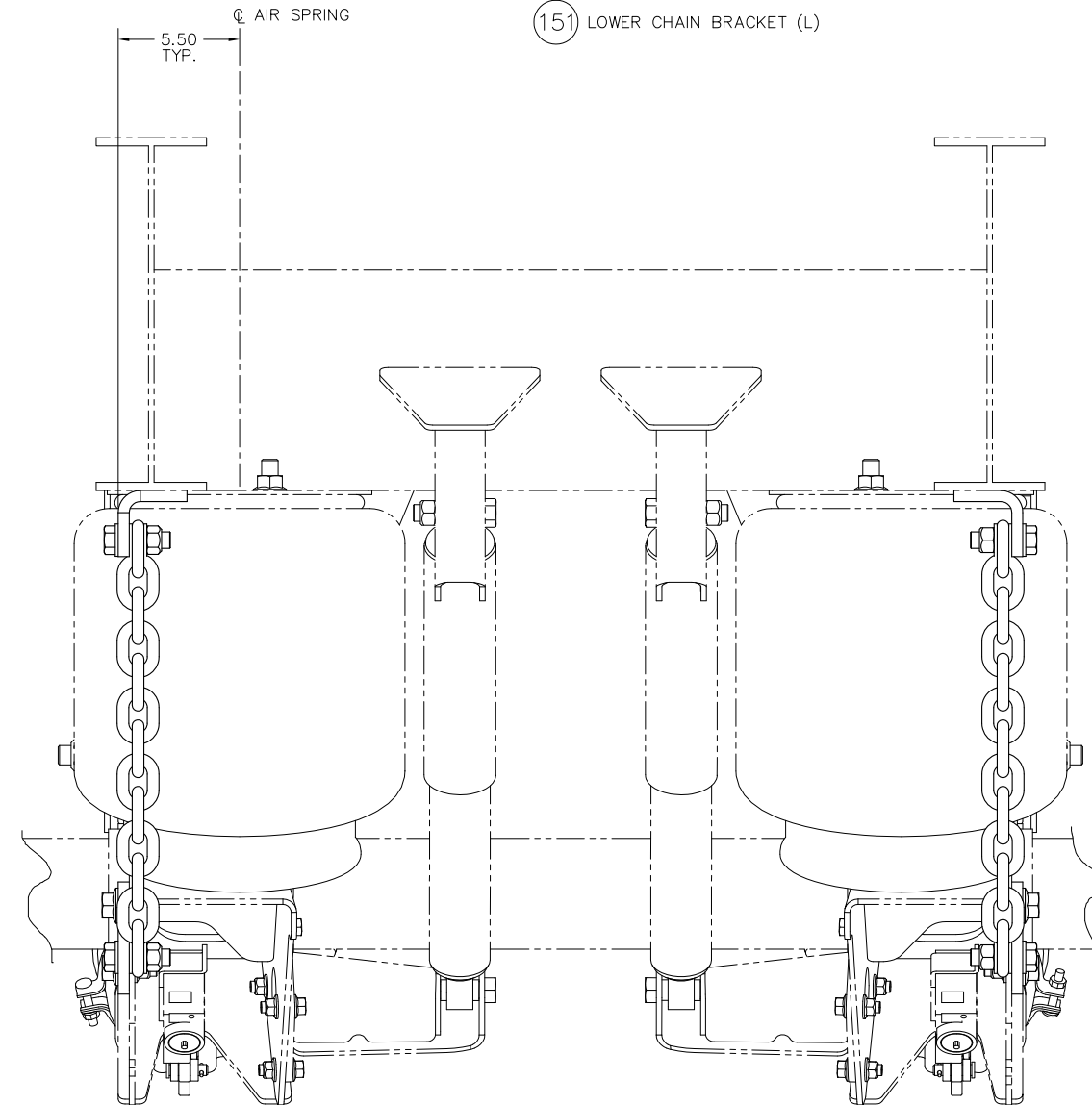
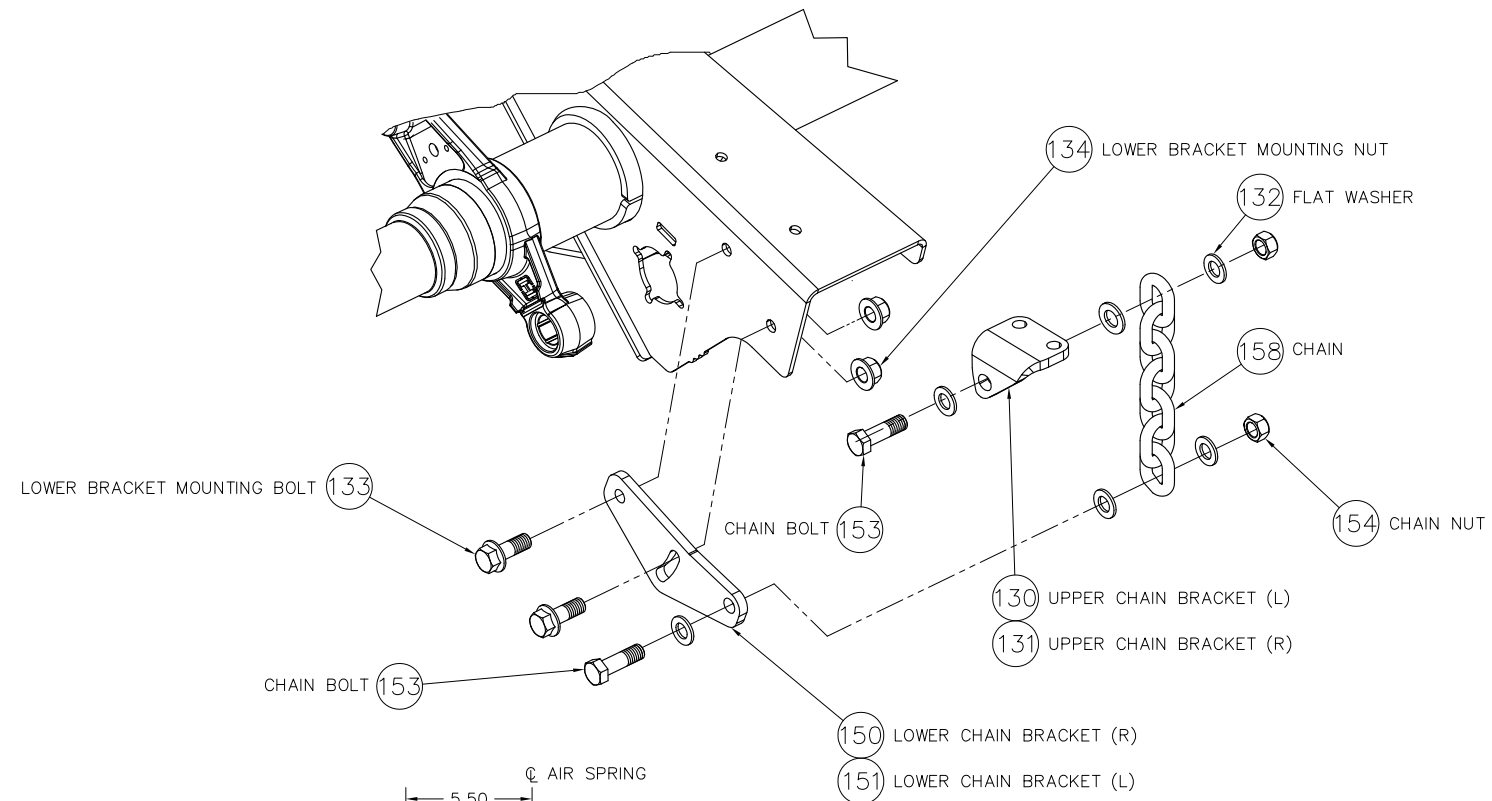
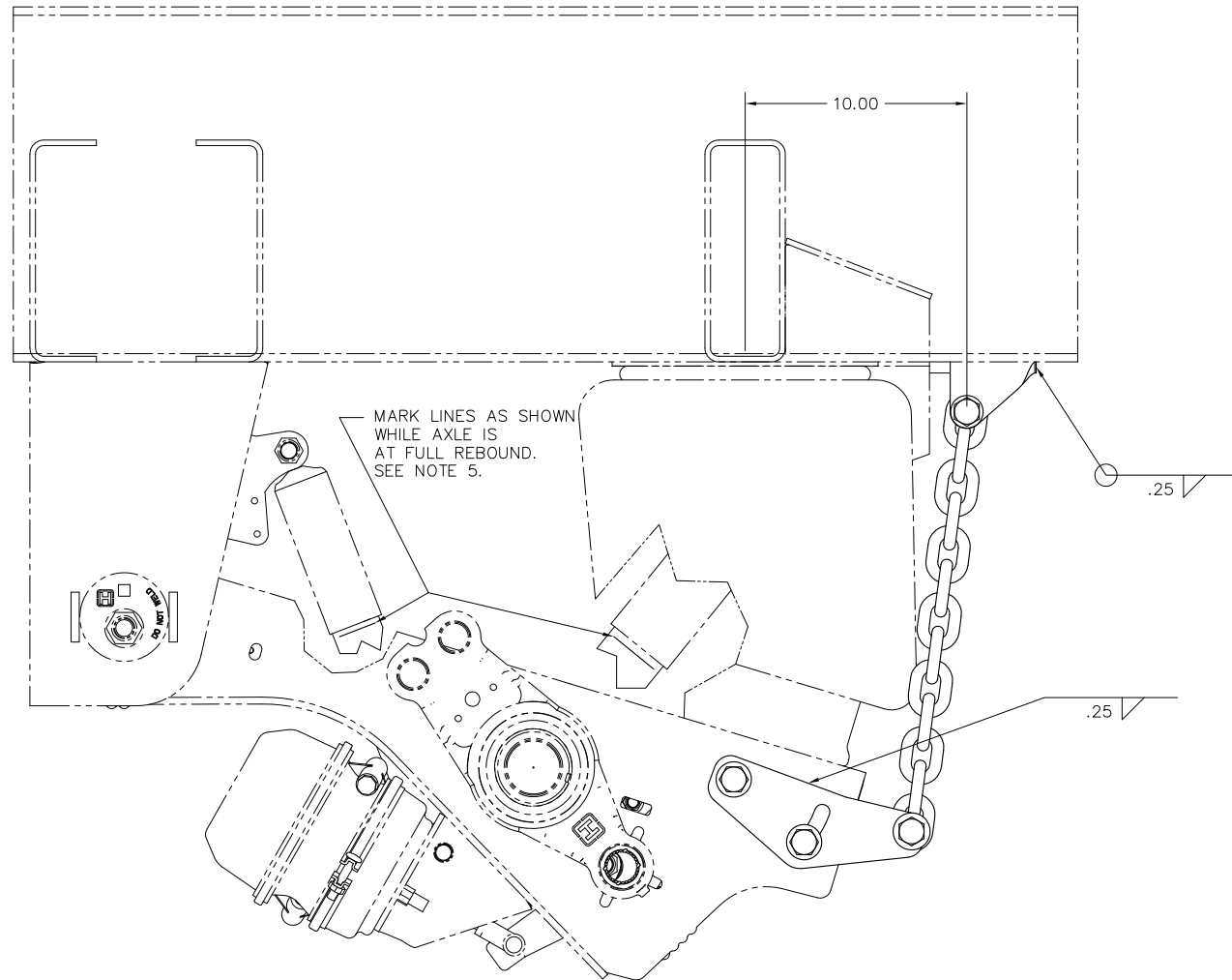
TORQUE SPECIFICATIONS

| DESCRIPTION | SIZE | TORQUE (FT-LB) |
|---------------------------|--------|----------------|
| LOWER CHAIN BRACKET BOLTS | 5/8-11 | 190-200 |
| UPPER CHAIN BRACKET BOLTS | 3/4-10 | 240-260 |
| CHAIN ATTACHMENT BOLTS | 3/4-10 | 240-260 |

| CHAIN LENGTH | |
|--------------|------------|
| RIDE HEIGHT | # OF LINKS |
| 14 | 14 |
| 15 | 13 |
| 16 | 15 |
| 17 | 15 |

NOTES:

1. BALLOONED NUMBERS FOR HENDRICKSON INTERNAL USE ONLY.



This Print remains the property of Hendrickson. All information contained thereon is confidential. It is loaned, subject to return on demand and on express condition that it is not to be copied or used directly or indirectly for any purpose other than the purpose for which it has been loaned to you.