

H PARTS LIST

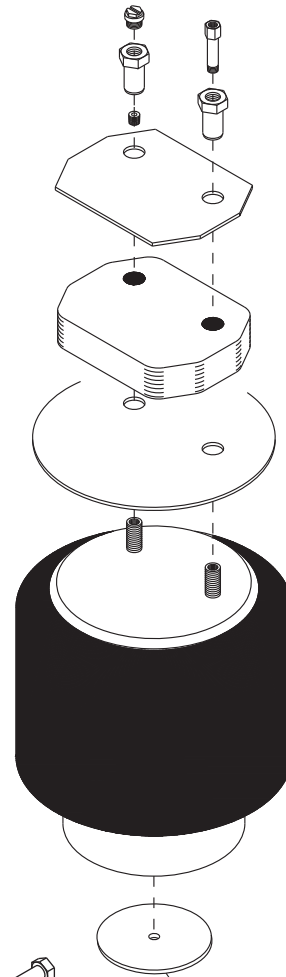
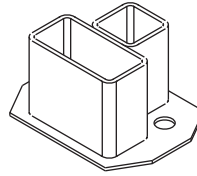
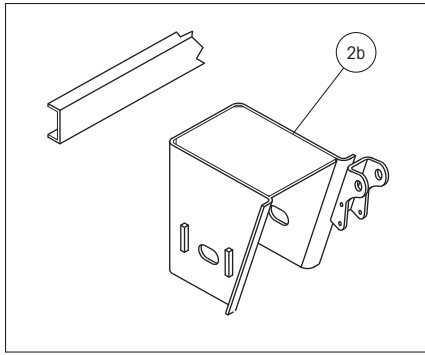
INTRAAAX® AAT —
23K, 25K, 30K

LIT NO: L405

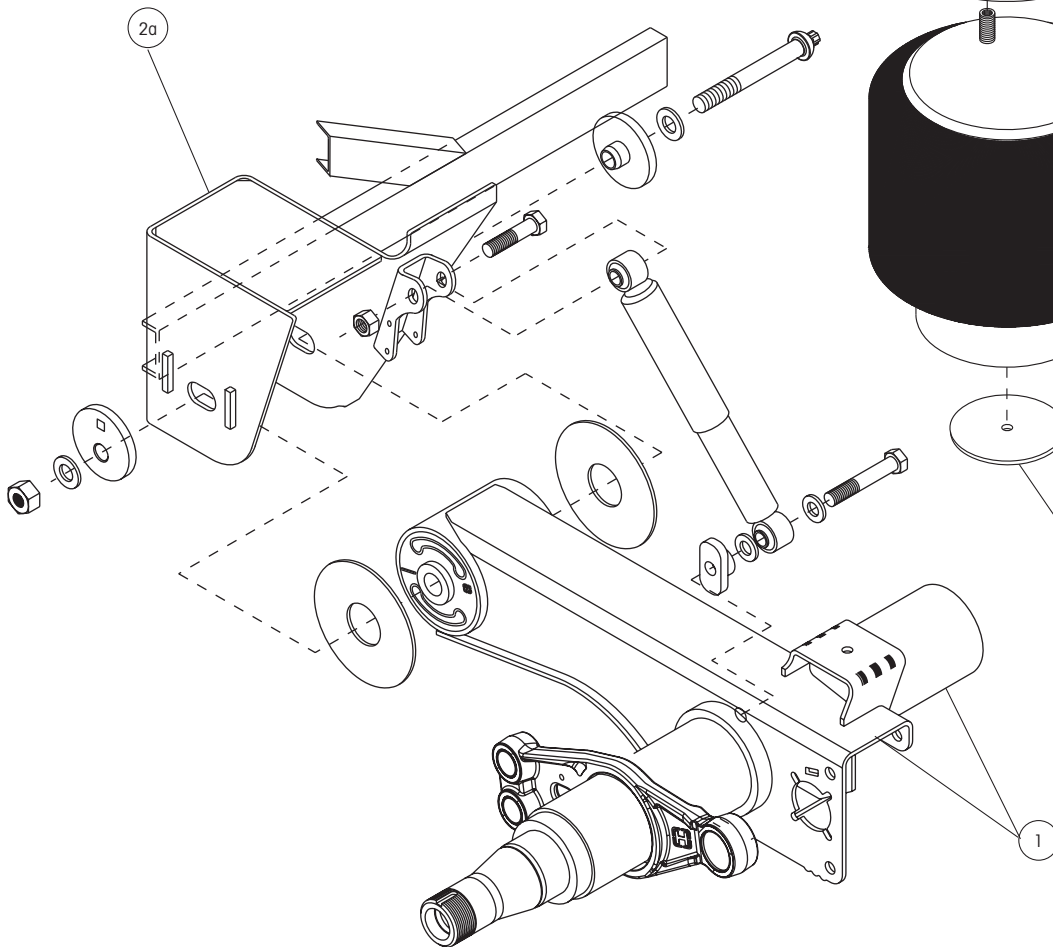
DATE: December 2009

REVISION: G





Used on 25K
and 30K only

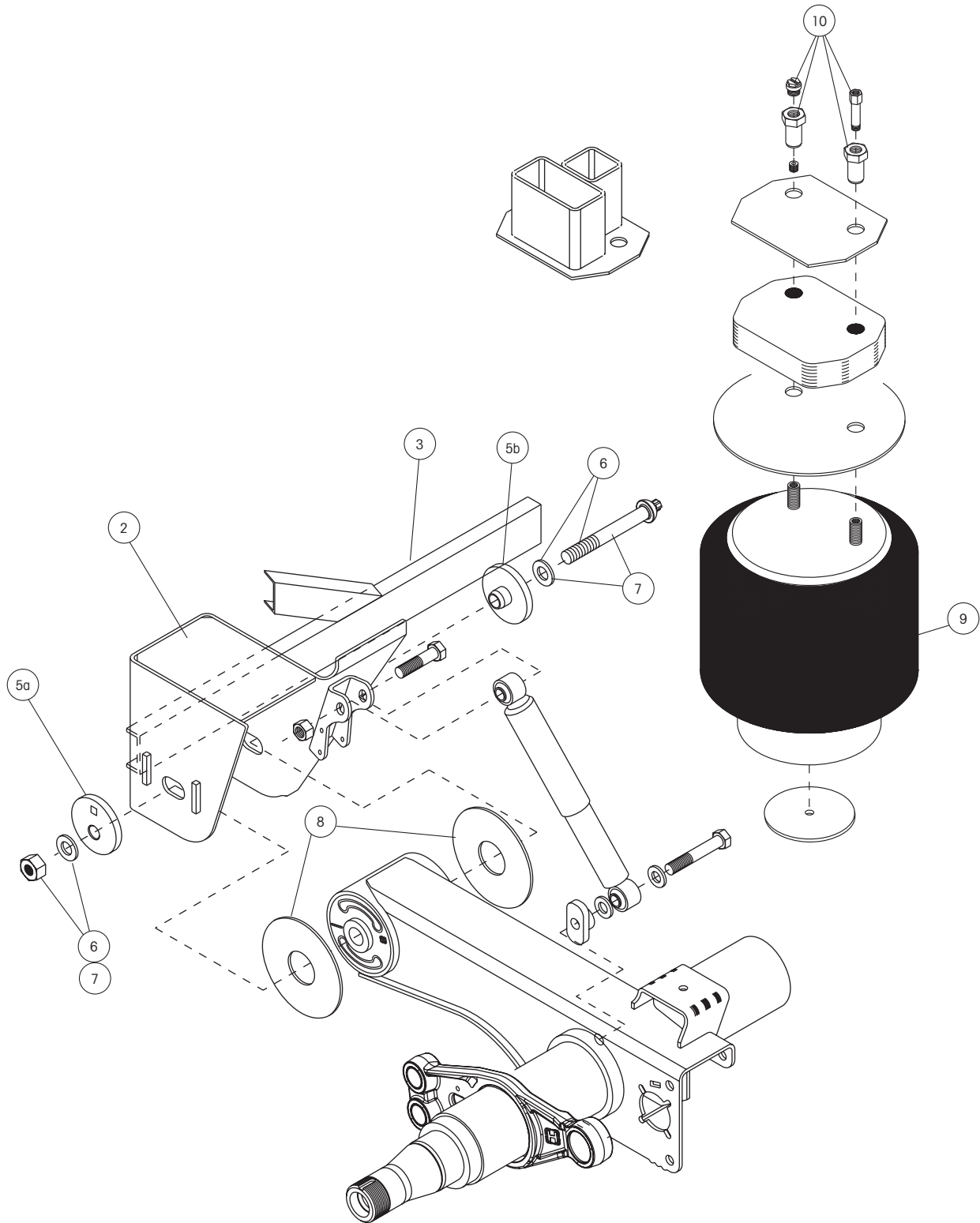




INTRAAX® AAT — 23K, 25K, 30K PARTS LIST

ITEM	DESCRIPTION	PART NO.	PER AXLE	NOTE
1	AXLE / BEAM WELDMENT	HTRAAX.XX		Contact Hendrickson for assistance
2	FRAME BRACKET¹ (Standard travel)			
	2a 8" Winged, weld-on, standard top plate			
	Roadside	S-21028-1	1	13.5", 14" and 15" ride heights
	Curbside	S-21028-2	1	13.5", 14" and 15" ride heights
	8" Winged, weld-on, weld-on top plate			
	Roadside	S-21028-3	1	13.5", 14" and 15" ride heights
	Curbside	S-21028-4	1	13.5", 14" and 15" ride heights
	8" Winged, weld-on, high control			
	Roadside	S-21626-1	1	13.5", 14" and 15" ride heights
	Curbside	S-21626-2	1	13.5", 14" and 15" ride heights
	10" Winged, weld-on, standard top plate			
	Roadside	S-21082-1	1	16" and 17" ride heights
	Curbside	S-21082-2	1	16" and 17" ride heights
	10" Winged, weld-on, weld-on top plate			
	Roadside	S-21082-3	1	16" and 17" ride heights
	Curbside	S-21082-4	1	16" and 17" ride heights
	10" Winged, weld-on, high control			
	Roadside	S-22872-1	1	16" and 17" ride heights
	Curbside	S-22872-2	1	16" and 17" ride heights
	12" Winged, weld-on, standard top plate			
	Roadside	S-21083-1	1	18" and 19" ride heights
	Curbside	S-21083-2	1	18" and 19" ride heights
	2b 8" Wingless, weld-on			
	Roadside	S-21905-1	1	13.5", 14" and 15" ride heights
	Curbside	S-21905-2	1	13.5", 14" and 15" ride heights
	8" Wingless, weld-on w/ extended frame bracket, or high control			
	Roadside	S-23000-1	1	13.5", 14" and 15" ride heights
	Curbside	S-23000-2	1	13.5", 14" and 15" ride heights
	10" Weld-on, wingless			
	Roadside	S-21906-1	1	16" and 17" ride heights
	Curbside	S-21906-2	1	16" and 17" ride heights
	10" Weld-on, wingless w/ high control			
	Roadside	S-24851-1	1	16" and 17" ride heights
	Curbside	S-24851-2	1	16" and 17" ride heights
	12" Wingless, weld-on			
	Roadside	S-22770-1	1	18" and 19" ride heights
	Curbside	S-22770-2	1	18" and 19" ride heights
	2c 11" Winged, bolt-on 1/2" bolt diameter (Not Shown)			
	Roadside	S-28135-1	1	12" ride height
	Curbside	S-28135-2	1	12" ride height
	8" Winged, bolt-on, 1/2" bolt diameter (Not Shown)			
	Roadside	S-21084-1	1	13.5", 14" and 15" ride heights
	Curbside	S-21084-2	1	13.5", 14" and 15" ride heights
	10" Winged, bolt-on, 1/2" bolt diameter (Not Shown)			
	Roadside	S-21085-1	1	16" and 17" ride heights
	Curbside	S-21085-2	1	16" and 17" ride heights
	12" Winged, bolt-on, 1/2" bolt diameter (Not Shown)			
	Roadside	D-21086-1	1	18" and 19" ride heights
	Curbside	D-21086-2	1	18" and 19" ride heights
	10" Winged, bolt-on, 1/2" bolt diameter w/ high control (Not Shown)			
	Roadside	S-22776-1	1	13.5", 14" and 15" ride heights
	Curbside	S-22776-2	1	13.5", 14" and 15" ride heights
	12" Winged, bolt-on, 1/2" bolt diameter w/ high control (Not Shown)			
	Roadside	D-23840-1	1	16" and 17" ride heights
	Curbside	D-23840-2	1	16" and 17" ride heights

¹ Other options exist including standard travel bolt-on frame brackets, bolt-on frame brackets for limited travel and high control applications and weld-on frame brackets for limited travel and high control applications. High control applications include dollies, full trailers and pups used in doubles or triples. Contact Hendrickson for assistance in determining a part number for the above applications.



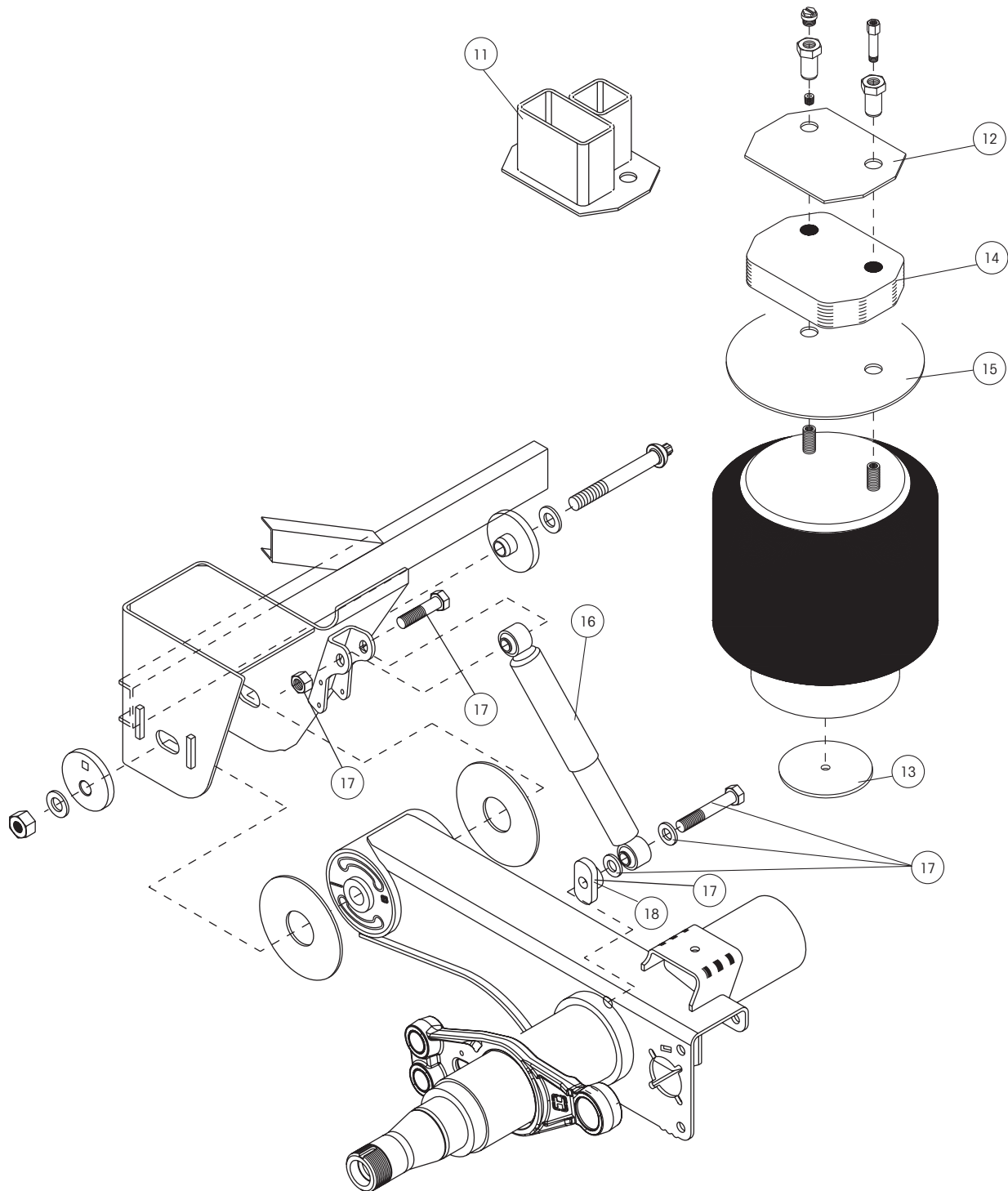


ITEM	DESCRIPTION	PART NO.	PER AXLE	NOTE
2	FRAME BRACKET¹ (Standard travel) CONTINUED			
	2d 8" Winged, bolt-on, 5/8" bolt diameter (Not Shown)			
	Roadside	S-21628-1	1	13.5", 14" and 15" ride heights
	Curbside	S-21628-2	1	13.5", 14" and 15" ride heights
	10" Winged, bolt-on, 5/8" bolt diameter (Not Shown)			
	Roadside	S-21629-1	1	16" and 17" ride heights
	Curbside	S-21629-2	1	16" and 17" ride heights
	12" Winged, bolt-on, 5/8" bolt diameter (Not Shown)			
	Roadside	D-24535-1	1	18" and 19" ride heights
	Curbside	D-24535-2	1	18" and 19" ride heights
	10" Winged, bolt-on 5/8" bolt diameter w/ high control (Not Shown)			
	Roadside	S-26978-1L	1	13.5", 14" and 15" ride heights
	Curbside	S-26978-1R	1	13.5", 14" and 15" ride heights
	12" Winged, bolt-on, 5/8" bolt diameter w/ high control (Not Shown)			
	Roadside	S-26978-2L	1	16" and 17" ride heights
	Curbside	S-26978-2R	1	16" and 17" ride heights
3	FRAME BRACKET CHANNEL			
	Axle track of 71.5" to 77.5"	A-1631-19	1	13.5" to 19" ride heights
	Axle track of 83.5" to 85"	A-1621-35	1	13.5" to 19" ride heights
4	FRAME BRACKET GUSSET (Not Shown)	S-27330	2	13.5" to 19" ride heights
5	ALIGNMENT COLLARS			
	5a Eccentric alignment collar (outer)	S-20925	2	Pivot hole is offset from the center of collar
	5b Concentric alignment collar (inner)	S-20924	2	Pivot hole is in center of collar
6	QUIK-ALIGN® PIVOT BOLT KIT²			
	6a Pivot bolt kit	S-24679	2	Includes 10" shear-type bolt, nut and washers
	6b Pivot bolt kit w/bushing tube spacers	S-26369	2	Includes 10" shear-type bolt, nut and washers
	6c Pivot bolt kit w/alignment collars	S-24680	2	Includes 10" shear-type bolt, nut and washers
7	QUIK-ALIGN PIVOT BUSHING KIT^{2,3,4}			
	7a Standard	S-24691	2	Includes bushing, pivot bolt kit, bushing tube spacers and lube
	7b Pivot bushing kit w/alignment collars	S-28654	2	Includes bushing, pivot bolt kit, bushing tube spacers and lube
8	BUSHING TUBE SPACERS			
	Standard	S-21099	4	(4) required per axle
9	AIR SPRING			
	AAT 23K models	S-21800	2	13.5" to 19" ride heights
		S-26773	2	12" - 13" ride height
	AAT 25K models	S-21784	2	13.5" to 19" ride heights
	AAT 30K models	S-27341	2	
10	AIR SPRING MOUNTING KIT			One per air spring; Includes air fittings, hex flange nuts, plugs and extension nuts
	12" ride height	S-4903/2	2	
	13.5", 14", 18" and 19" ride heights	S-22619/2	2	
	15" ride height	S-22630/2	2	
	16" ride height	S-22631/2	2	
	17" ride height	S-22632/2	2	

² Best installed with Hendrickson's E-20 socket S-24536 (1-inch drive) or S-24303 (3/4-inch drive)

³ Picture may not resemble all models. Hendrickson recommends S-25119.

⁴ Bushing tool, S-21307 is required to correctly rebush the suspension.





INTRAAX® AAT — 23K, 25K, 30K PARTS LIST

ITEM	DESCRIPTION	PART NO.	PER AXLE	NOTE
11	AIR SPRING SPACER ASSEMBLY			
	11a AAT 23K and 25K models			
	Steel, weld-on, 1 ⁵ / ₁₆ " Thick spacer assembly	C-22302-2	2	Typically 15" ride height
	Steel, weld-on, 2 ¹ / ₁₆ " Thick spacer assembly	C-22302-3	2	Typically 16" ride height
	Steel, weld-on, 3 ⁵ / ₁₆ " Thick spacer assembly	C-22302-4	2	Typically 17" ride height
	Steel, weld-on, 4 ¹ / ₁₆ " Thick spacer assembly	C-22302-5	2	Typically 18" ride height
	Steel, weld-on, 5 ⁵ / ₁₆ " Thick spacer assembly	C-22302-6	2	Typically 19" ride height
	11b AAT 30K models			
	Steel, weld-on, 1 ⁵ / ₁₆ " Thick spacer assembly	D-27049-9	2	Typically 15" ride height
	Steel, weld-on, 2 ¹ / ₁₆ " Thick spacer assembly	D-27049-10	2	Typically 16" ride height
	Steel, weld-on, 3 ⁵ / ₁₆ " Thick spacer assembly	D-27049-8	2	Typically 17" ride height
	Steel, weld-on, 4 ¹ / ₁₆ " Thick spacer assembly	D-27049-10	2	Typically 18" ride height
	Steel, weld-on, 5 ⁵ / ₁₆ " Thick spacer assembly	D-27049-2	2	Typically 19" ride height
12	AIR SPRING MOUNTING PLATE			
	12a Weld-on	S-20905	2	13.5" to 19" ride height
		S-23294		Used on AAT 30K with 13.5" and 14" ride height
	12b Bolt-on	B-21145	2	Distance from outboard side of spacer to center of first trailer frame mounting bolt hole is 1.5"; 13" to 17" ride heights; STD and LR
		B-22390	2	Distance from outboard side of spacer to center of first trailer frame mounting bolt hole is 2 ¹ / ₄ " 13" to 17" ride heights; STD and LR
		B-21715	2	Distance from outboard side of spacer to center of first trailer frame mounting bolt hole is 1 ³ / ₄ "; 13" to 17" ride heights; STD and LR
		B-27264	2	13.5" to 19" ride height; STD and LR
		C-20192	2	12" Ride height
13	AIR SPRING BOTTOM DISK	S-21786		
14	AIR SPRING SPACER			
	Plastic, 1 ¹ / ₈ " Thick spacer	B-22510-1	2	15" ride height
	Plastic, 1 ⁷ / ₈ " Thick spacer	B-22510-2	2	16" ride height
	Plastic, 3 ¹ / ₈ " Thick spacer	B-22510-3	2	17" ride height
15	AIR SPRING FLEX PLATE			
		B-23294		Weld-on
		B-24813		Bolt-on for 14", 15", 16" and 17"
		B-24812		Patterned Bolt-on for 14", 15", 16" and 17"
16	SHOCK ABSORBER¹			
	Standard duty	S-23566	2	For use on 23K and 25K models
	Limited rebound	S-23361	2	For use on 23K and 25K models
	Extended service with high dampening	S-24023	2	For use on all 30K models some 23K and 25K models
17	SHOCK ABSORBER BOLT KIT¹			One (1) required per shock
	23K and 25K models shipped before 8/11/95	S-20896/2	2	
	23K and 25K models shipped after 8/11/95	S-24021	2	
	30K front mounted shock	S-24021	2	
	30K rear mounted shock	S-20031/2	2	
18	SHOCK SPACER	S-27196	2	

¹Picture may not resemble all models.

www.hendrickson-intl.com



Trailer Suspension Systems
250 Chrysler Drive, Unit #3
Brampton, ON Canada L6S 6B6
905.789.1030
Fax 905.789.1033

Trailer Suspension Systems 866.RIDEAIR (743.3247)
2070 Industrial Place SE 330.489.0045
Canton, OH 44707-2641 USA Fax 800.696.4416

Hendrickson Mexicana
Av. Industria Automotriz #200
Parque Industrial Sliva Aeropuerto
Apodaca, N.L., México C.P. 66600
+52 (81) 8288.1300
Fax +52 (81) 8288.1301