

H PARTS LIST

INTRAAX® AANT 23K

LIT NO: L1057

DATE: August 2009

REVISION: A





SUSPENSION ASSEMBLIES

Frame Bracket Assembly

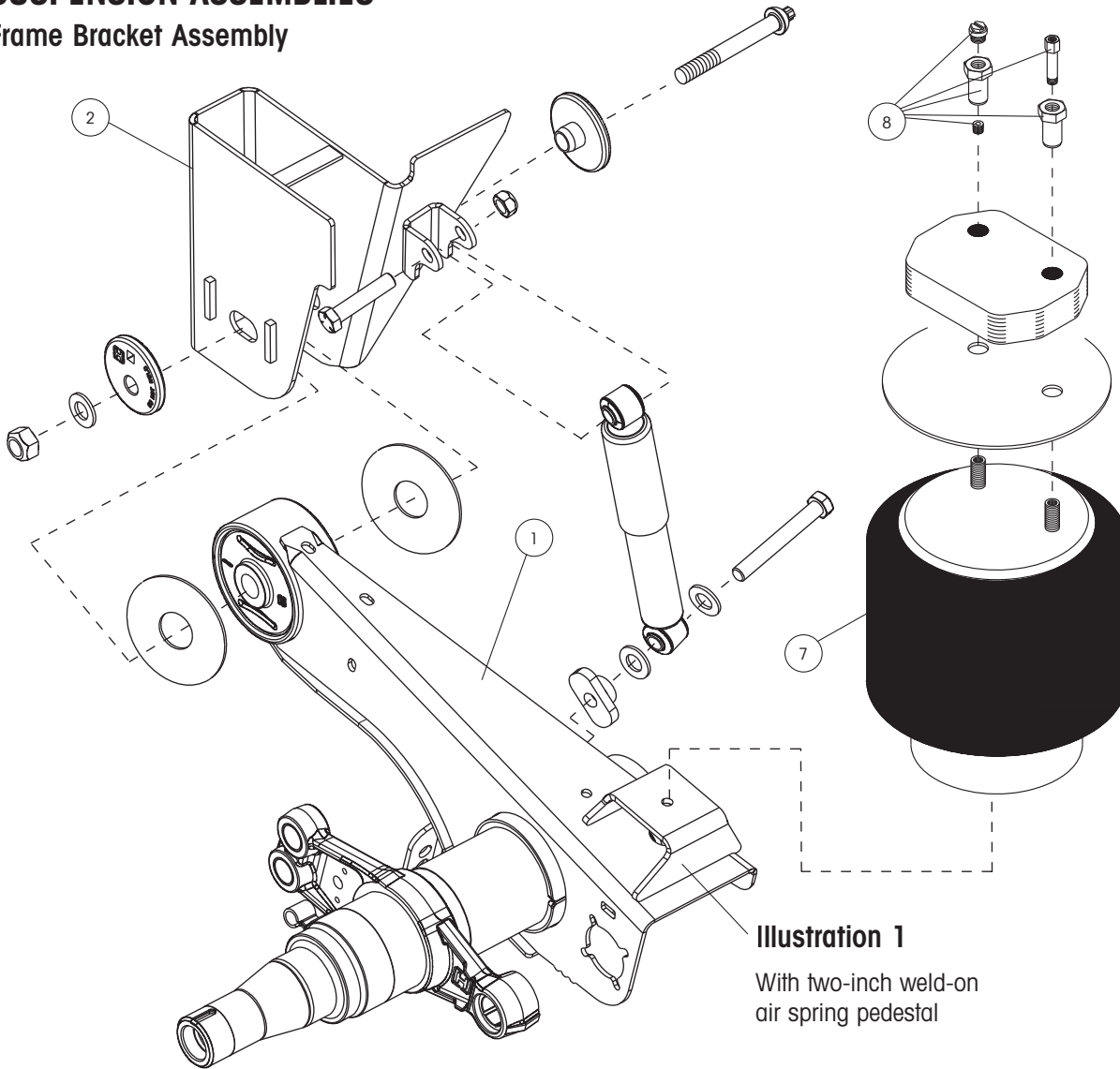


Illustration 1

With two-inch weld-on
air spring pedestal

Manufactured Late
August 2002 and After

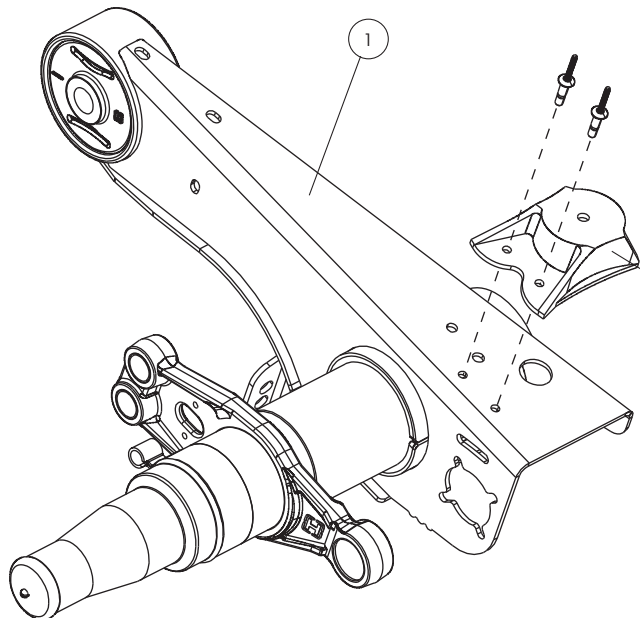


Illustration 2

With cast, bolt-on
air spring pedestal



INTRAAAX® AANT 23K PARTS LIST

ITEM	DESCRIPTION	PART NO.	QTY.	NOTE
1	AXLE / BEAM WELDMENT	HTRAAX.XXX		Contact Hendrickson for assistance
2	FRAME BRACKET¹			Contact Hendrickson for assistance
3	C-CHANNEL² (Not Shown)			For weld-on, winged or wingless frame attachments
3a	71.5" Axle track	C-28224-1	1	6" C-Channel
	71.5" Axle track	C-28224-2	1	6" C-Channel
3b	Bolt-on, winged frame attachments			
	71.5" Axle track	B-29095-1	1	Standard C-Channel
	77.5" Axle track	B-29095-2	1	Standard C-Channel
3c	Bolt-on, winged frame attachments			
	71.5" Axle track	B-29148-1	1	AANT Weld-on C-Channel
	77.5" Axle track	B-29148-2	1	AANT Weld-on C-Channel
3d	Bolt-on, winged hangers with flush side mount attachment			
	71.5" Axle track	D-28425-1	1	C-Crossmember C-Channel
	77.5" Axle track	D-28425-2	1	C-Crossmember C-Channel
4	FRAME BRACKET BRACE (Not Shown)	B-2347-7	2	19" ride height
5	FRAME BRACKET GUSSET (Not Shown)	S-27330	2	For weld-on, winged or wingless frame attachments, for ride heights of 12" to 17"
6	BOLT-ON ANGLE HARDWARE KIT (Not Shown)	S-29822	1	Used with winged, bolt-on hangers with standard or compact connection
7	AIR SPRING			
	Standard Pressure	S-26773	2	12" to 13" ride height
	Standard Pressure	S-21800	2	13.5" to 19" ride height
	Low Pressure	S-21784	2	13.5" to 19" ride height
8	AIR SPRING MOUNTING KIT			(1) per air spring
		S-22907 / 2	2	For standard models and frames with 12" ride height; For high control models with standard frame and 13" ride height
		S-22619 / 2	2	For standard models and frames with 13.5"-16" ride height; For standard models with thick .90"-1.25" frame and 19" ride height; For high control models with standard frames and 13.5" - 15" ride height; For high control models with thick .90"-1.25" frame and 17" ride height
		S-22630 / 2	2	For standard models and frame with 17" ride height; For standard models with thick .90"-1.25" frame and 13.5"-16" ride height; For high control models with thick .90"-1.25" frame and 13.5"-15" ride height
		S-22631 / 2	2	For standard models and frame with 18" ride height; For standard models with thick .90"-1.25" frame and 17" ride height; For high control models with standard frame and 16" ride height
		S-22632 / 2	2	For standard models and frame with 19" ride height; For standard models with thick .90"-1.25" frame and 18" ride height; For high control models with standard frames and 17" ride height; For high control models with thick .90"-1.15" frame and 16" ride height

¹ Other options exist based on frame attachment, frame bracket style bolt hole pattern and connection. Contact Hendrickson for assistance.

² Picture may not depict all models. Contact Hendrickson for assistance.

Note: Identification tag can be found on the inside of the curbside beam



SUSPENSION ASSEMBLIES

Frame Bracket Assembly

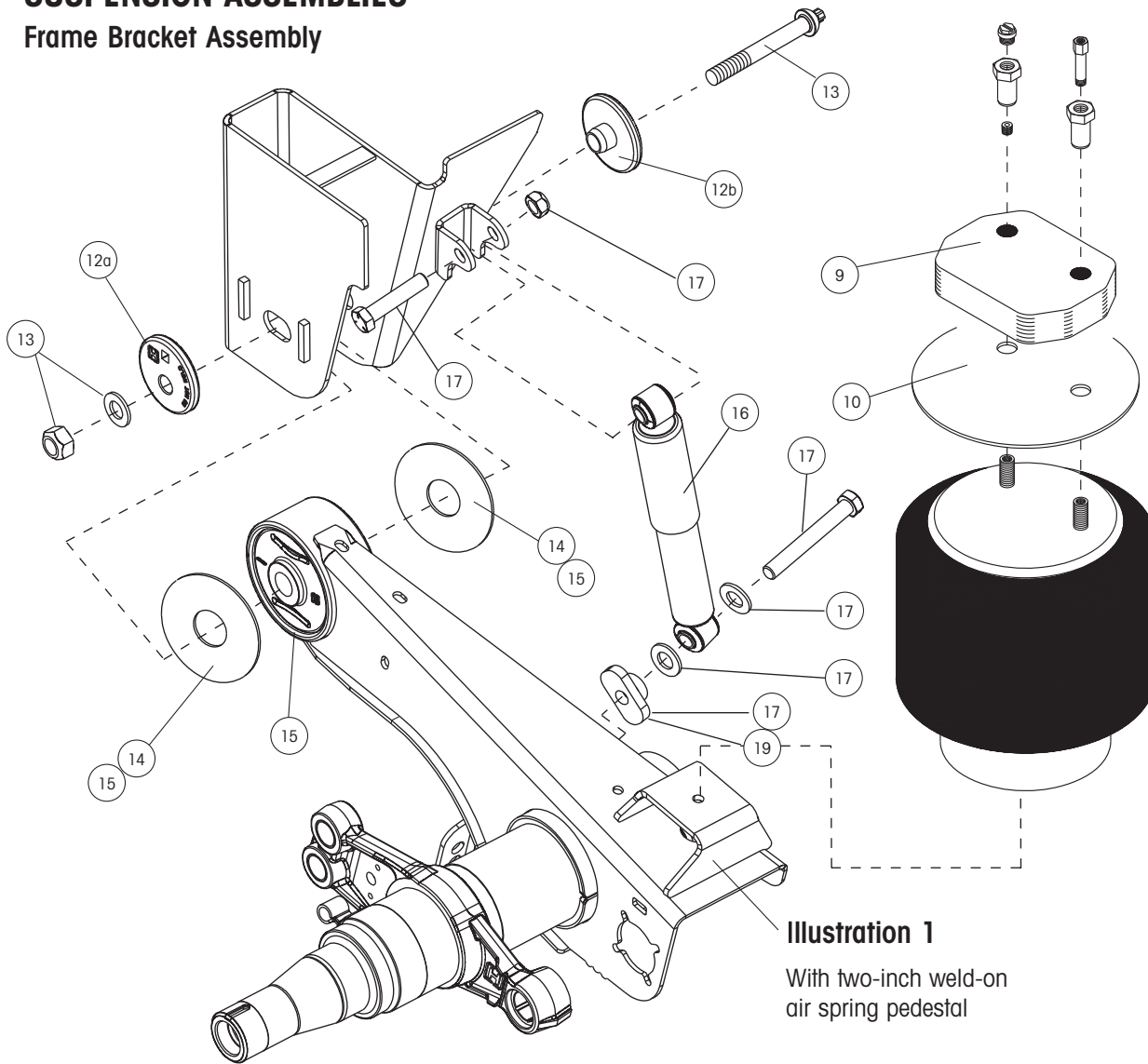


Illustration 1

With two-inch weld-on
air spring pedestal

**Manufactured Late
August 2002 and After**

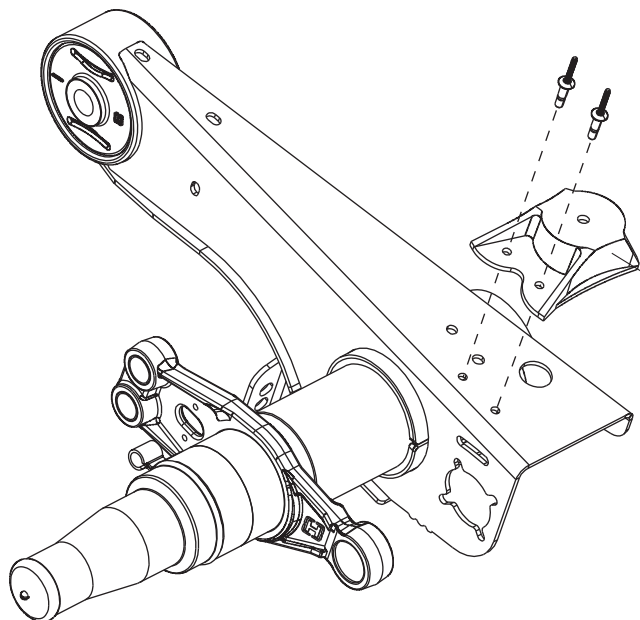


Illustration 2

With cast, bolt-on
air spring pedestal



INTRAAX® AANT 23K PARTS LIST

ITEM	DESCRIPTION	PART NO.	QTY.	NOTE
9	AIR SPRING SPACER			
	Plastic 1-1/8" Thick spacer	B-22510-1	2	Most 17" ride height
	Plastic 1-7/8" Thick spacer	B-22510-2	2	Most 18" ride height
	Plastic 3-1/8" Thick spacer	B-22510-3	2	Most 19" ride height
10	AIR SPRING MOUNTING PLATE³	S-20905	2	
	10a Weld-on frame brackets	S-20905	2	12"-19" ride height, standard air spring mounting plate
	10b Bolt-on frame brackets	S-21145	2	13.5"-19" ride height, standard air spring mounting plate
11	AIR SPRING SPACER ASSEMBLY³ (Not Shown)			
	Weld-on, Steel, 3-5/16" Thick spacer	C-22302-4	2	Use with thick frame .9" to 1.25" and 19" ride height
	Bolt-on, Steel, 3-1/8" Thick spacer	D-26977-15	2	Use with thick frame .9" to 1.25" and 19" ride height
12	ALIGNMENT COLLARS			
	12a Eccentric alignment collar (outer)	S-20925	2	Pivot bolt hole is offset from the center of collar
	12b Concentric alignment collar (inner)	S-20924	2	Pivot bolt hole is in the center of collar
13	QUIK-ALIGN® PIVOT BOLT KIT	S-24705	2	Includes 7" shear-type bolt, nut and washers
14	BUSHING TUBE SPACERS	S-26807	4	
15	TRI-FUNCTIONAL BUSHING KIT⁴	S-26321	1	Includes (2) bushings, pivot bolt kit, bushing tube spacers and lube
16	SHOCK ABSORBER			
	13.5" to 19" RH; Standard travel	S-23566	2	Replaces B-23566
	13" RH; Standard travel, high control models	S-23651	2	Replaces B-23651
	13.5" to 17" RH; Standard travel, high control models	S-23361	2	
	13.5" to 19" RH; Limited rebound	S-23361	2	Replaces B-23361
	13.5" to 19" RH; Extended service with high damping	S-24023	2	Replaces B-21553 or B-24023
	12" RH; Extended service with high damping	S-23743	2	
	13" RH; Extended service with high damping	S-24579	2	Replaces B-24579; High control models
17	SHOCK ABSORBER BOLT KIT	S-24049 / 2	2	One (1) required per shock
18	SHOCK STRAP KIT (Not Shown)			Includes (2) shock straps, (2) shock strap clevis and (4) nylon ties
	13" RH; Standard travel	C-23086-4	1	Use with S-23651 shock
	13.5" to 19" RH	C-23086-1	1	Use with S-23566 shock
	13.5" to 17" RH; Standard travel with high control	C-23086-7	1	Use with S-23361 shock
	13.5" to 19" RH; Limited rebound	C-23086-7	1	Use with S-23361 shock
	12" RH; Extended service with high damping	C-23086-3	1	Use with S-23743 shock
	13" RH	C-23086-8	1	Use with S-24579 shock
	13.5" to 19" RH	C-23086-2	1	Use with S-24579 shock
19	SHOCK SPACER	S-27196	1	

³ Other options exist based on frame attachment, frame bracket style bolt hole pattern and connection. Contact Hendrickson for assistance.

⁴ Bushing tool, S-24736 is required to correctly rebush the suspension.

RH = Ride Height

Note: Identification tag can be found on the inside of the curbside beam

www.hendrickson-intl.com



Trailer Suspension Systems
250 Chrysler Drive, Unit #3
Brampton, ON Canada L6S 6B6
905.789.1030
Fax 905.789.1033

Trailer Suspension Systems 866.RIDEAIR (743.3247)
2070 Industrial Place SE 330.489.0045
Canton, OH 44707-2641 USA Fax 800.696.4416

Hendrickson Mexicana
Av. Industria Automotriz #200
Parque Industrial Sliva Aeropuerto
Apodaca, N.L., México C.P. 66600
+52 (81) 8288.1300
Fax +52 (81) 8288.1301