

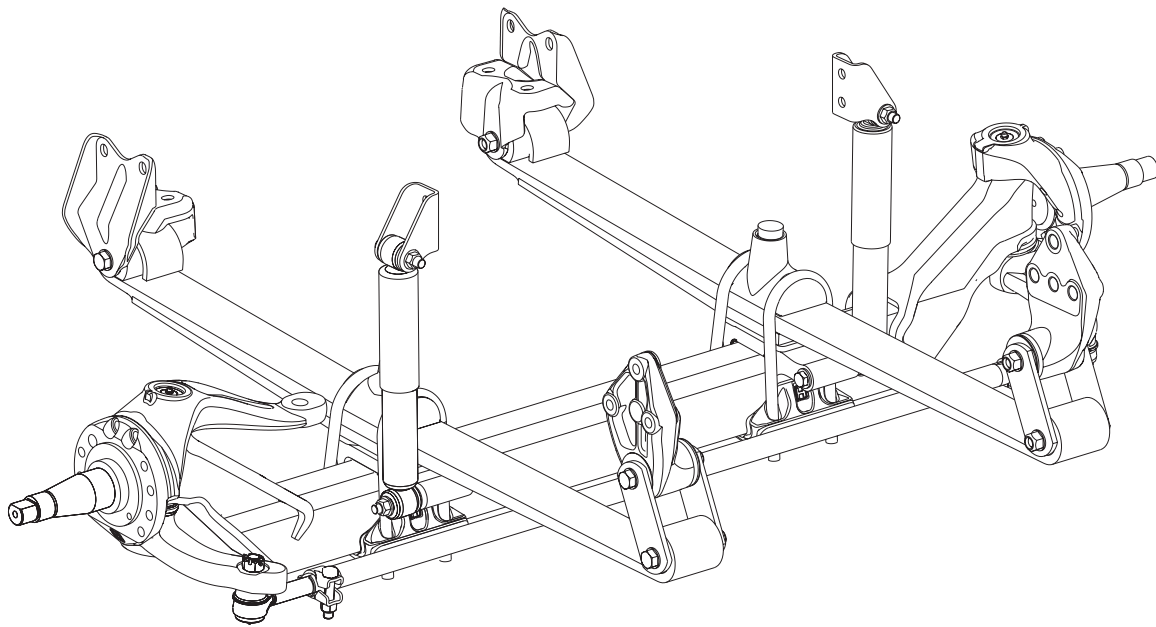
PARTS LIST

SOFTEK[®] for Freightliner,
Western Star and Sterling Vehicles

LIT NO: SP-170

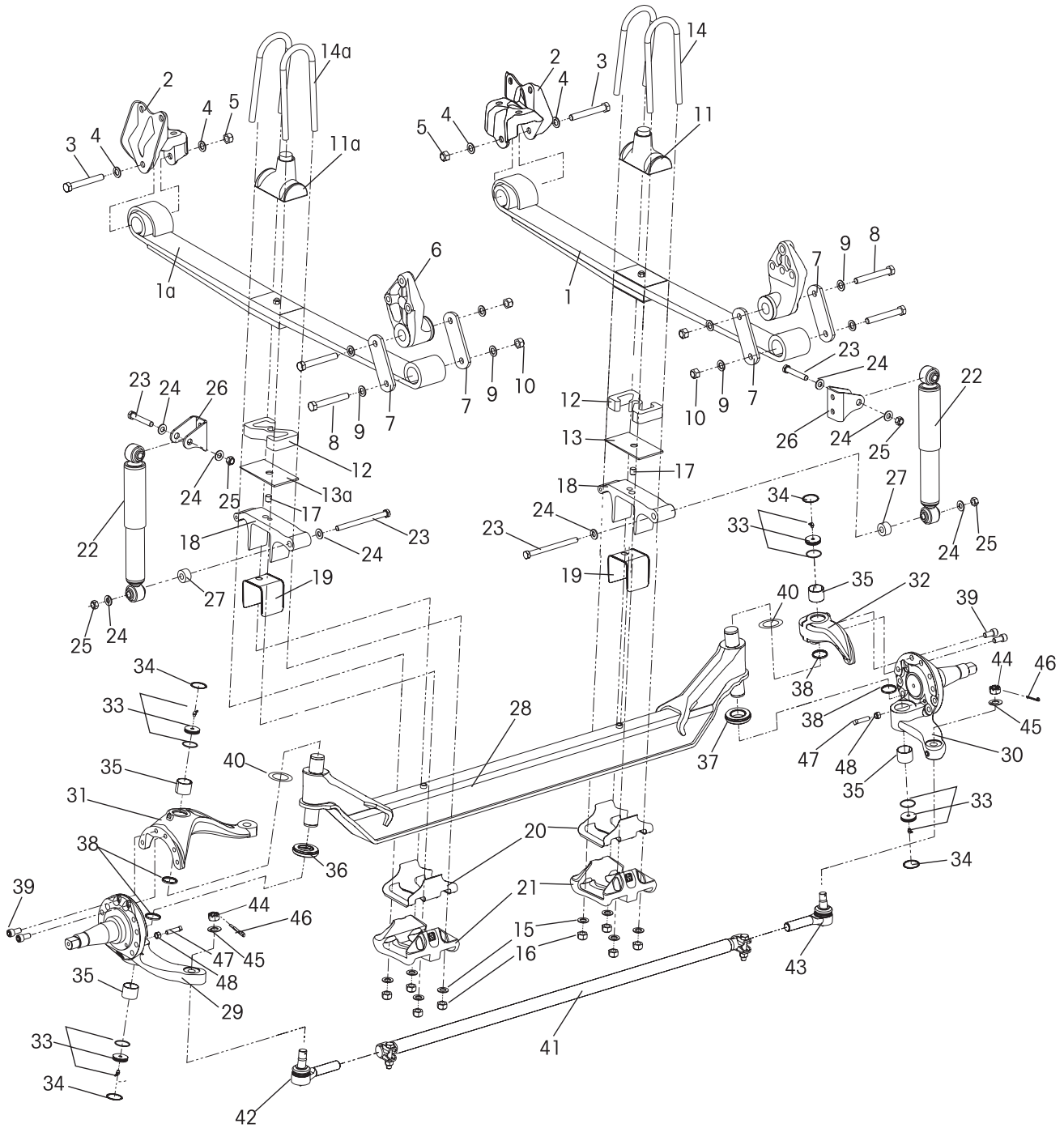
DATE: March 2005

REVISION: B



For The Road Ahead[™]

 **HENDRICKSON**





KEY NO.	PART NO.	DESCRIPTION	NO.REQ.	KEY NO.	PART NO.	DESCRIPTION	NO.REQ.
1		*Leaf & ½ Spring	2	31		**LH Upper Steering Knuckle Assembly	1
2		*Front Frame Hanger Bracket	2	60903-034		12K, 4.25 Drop, 69KPI, 280mm Ride Ht. (Replaces Part No. 60903-004)	
3		*¾" Front Hanger Bolt	2	60903-035		12K, 4.25 Drop, 69 KPI, 315mm Ride Ht. (Replaces Part No. 60903-005)	
4		*¾" Front Hanger Washer	4	60903-036		12K, 4.25 Drop, 69 KPI, 355mm Ride Ht. (Replaces Part No. 60903-006)	
5		*¾" Front Hanger Locknut	2	60903-038		12K, 4.25/5.36 Drop, 70.9 KPI, 315mm Ride Ht. (Replaces Part No. 60903-008)	
6		*Shackle Bracket	2	60903-039		12K, 4.25 Drop, 70.9 KPI, 355mm Ride Ht. (Replaces Part No. 60903-009)	
7		*Shackle	4	32	60904-032	**RH Upper Steering Knuckle Assembly (Replaces Part No. 60903-002)	1
8		*¾" Shackle Bolt	4	60961-040		Kingpin Bushing Service Kit Axle Set (Includes Kit Nos. 60961-009 & 60961-039)	1
9		*¾" Shackle Washer	8	60961-009		LH Kingpin Composite Bearing Service Kit (Includes Key Nos. 33-36, 38-40, and Loctite)	1
10		*¾" Shackle Locknut	4	60961-039		RH Kingpin Roller Bearing Service Kit (Includes Key Nos. 33-35, 37-40 and Loctite)	1
11		*Axle Stop	2	33	59156-000	Grease Cap Assembly	2
12		*Spacer	2	34	58937-000	Retaining Ring	2
13		*Shim	2	35	58909-000	Kingpin Bushing	2
14		*¾" U-bolt	2	60961-043		Thrust Bearing Service Kit Axle Set (Includes Key Nos. 36-40 & Loctite)	
15		*¾" U-bolt Flat Washer	8	60961-041		LH Thrust Bearing-Composite Service Kit (Includes Key Nos. 36, 38-40 & Loctite)	
16		*¾" U-bolt Lock Nut	4	60961-042		RH Thrust Bearing-Roller Service Kit , (Includes Key Nos. 37-40 & Loctite)	
17		*Dowel Pin	2	36	59828-000	LH Thrust Bearing – Composite	1
18		Top Wrap	2	37	64256-000	RH Thrust Bearing – Roller	1
	59952-003	CST/Columbia 69 KPI, 4.25 Drop 315mm Ride Ht.; 5.36 Drop 260/280 Ride Ht.		38	58910-000	Kingpin Seal	2
	59952-004	CST/Columbia 69 KPI, 4.25 Drop 355mm Ride Ht.; 5.36 Drop 315mm Ride Ht.		39	60236-001	5/8" Socket head cap screw	2
	59952-005	Coronado (WS) 70.9 KPI, 4.25 Drop 315mm Ride Ht.;		40	60259-002	Kingpin Shim	1
	59952-006	Coronado (WS) 70.9 KPI, 4.25 Drop 355mm Ride Ht.; 5.36 Drop 315mm Ride Ht.		Not Shown	60937-000	Loctite® (Red) Compound Tube	1
	60961-015	Top/Bottom Axle Wrap Liner Service Kit (Includes Key Nos. 19-20)		41		Tie Rod Assembly	1
19	60508-000	Top Axle Wrap Liner	2	60239-001		12K, 4.25 Drop, 70.9 KPI, 315/355mm Ride Ht., 150 Ackermann	
20	59845-000	Bottom Axle Wrap Liner	2	60239-002		12K, 4.25 Drop, 70.9 KPI, 315/355mm Ride Ht., 200 Ackermann	
21	64722-002	Bottom Axle Wrap (Replaces Part No. 59440-002)	2	60239-003		12K, 4.25 Drop, 70.9 KPI, 315-355mm Ride Ht., 250 Ackermann	
22		*Shock Absorber	2	60239-004		12K, 4.25 Drop, 69 KPI, 315/355mm Ride HT., 150 Ackermann	
23		*¾" Shock Bolt	2	60239-005		12K, 4.25 Drop, 69 KPI, 315/355mm Ride HT., 200 Ackermann	
24		*¾" Shock Flat Washer	4	60239-006		12K, 4.25 Drop, 69 KPI, 315/355mm Ride HT., 250 Ackermann	
25		*¾"-10 UNC Shock Locknut	4	59948-001		12K, 5.36 Drop, 70.9 KPI, 280/315mm Ride HT., 150 Ackermann	
26	59423-002	Shock Bracket	2	59948-002		12K, 5.36 Drop, 70.9 KPI, 280/315mm Ride HT., 200 Ackermann	
27	59946-001	Shock Spacer	2	59948-003		12K, 5.36 Drop, 70.9 KPI, 280/315mm Ride HT., 250 Ackermann	
	70952-	Axle Assembly (Includes Key Nos. 18-21 and 28-48) Contact Hendrickson Tech Services for proper Axle Assembly part number.	1	59948-004		12K, 5.36 Drop, 69 KPI, 280/315mm Ride HT., 150 Ackermann	
28		Axle & Kingpin Assembly	1	59948-005		12K, 5.36 Drop, 69 KPI, 280/315mm Ride HT., 200 Ackermann	
	64905-001	Coronado, 4.25 Drop, 70.9 KPI, 315/355mm Ride Ht. (Replaces Part No. 59924-001)		59948-006		12K, 5.36 Drop, 69 KPI, 280/315mm Ride HT., 250 Ackermann	
	64905-002	CST/Columbia, 4.25 Drop, 69 KPI, 315/355mm Ride Ht. (Replaces Part No. 59924-002)					
	64905-004	CST/Columbia, 5.36 Drop, 69 KPI, 280/315mm Ride Ht. (Replaces Part No. 59924-004)					
29		LH Lower Steering Knuckle Assembly	1				
	58900-001	250 Ackermann					
	58900-003	210 Ackermann					
	58900-005	150 Ackermann					
30		RH Lower Steering Knuckle Assembly	1				
	58900-002	250 Ackermann					
	58900-004	210 Ackermann					
	58900-006	150 Ackermann					



KEY NO.	PART NO.	DESCRIPTION	NO.REQ.	KEY NO.	PART NO.	DESCRIPTION	NO.REQ.
		***Tie Rod End Service Kit Axle Set (Includes Key Nos. 42-45)	1	42		***LH Tie Rod End	1
	60961-081	69 KPI, 4.25 Drop			64000-001	69 KPI, 4.25 Drop	
	60961-082	70.9 KPI, 4.25 Drop			64002-001	70.9 KPI 4.25 Drop	
	60961-012	69 & 70.9 KPI, 5.36 Drop			64004-001	69 & 70.9 KPI, 5.36 Drop	
		***LH Tie Rod End Service Kit (Includes Key Nos. 42, 44-45)	1	43		***RH Tie Rod End	1
	60961-083	69 KPI, 12K-12.5K, 4.25 Drop			64000-002	69 KPI, 4.25 Drop	
	60961-085	70.9 KPI, 14.6K, 4.25 Drop			64002-002	70.9 KPI 4.25 Drop	
	60961-029	70.9 KPI, 12K-12.5K, 5.36 Drop			64004-002	69 & 70.9 KPI, 5.36 Drop	
		***RH Tie Rod End Service Kit (Includes Key Nos. 43-45)	1	44	22962-007	7/8" Flat Washer	2
	60961-084	69 KPI, 12K-12.5K, 4.25 Drop		45	17800-004	Tie Rod Nut Cotter Pin	2
	60961-086	70.9 KPI, 14.6K, 4.25 Drop		46	60238-000	1/2"-13 UNC Square Head Bolt	2
	60961-030	70.9 KPI, 12K-12.5K, 5.36 Drop		47	60240-000	1/2"-13 UNC Hex Jam Nut	2

NOTE:

- * Not supplied by Hendrickson, used for reference only. Refer to OEM (vehicle manufacturer for more information)
- ** All new replacement STEERTEK axles and upper steering knuckle components for Freightliner, Sterling and Western Star Vehicles will incorporate 5/8" fine threaded holes for brake spider mounting bolts. Vehicles built prior to 6/28/2004 that are receiving a replacement of the STEERTEK axle or upper knuckle will require — a change from coarse thread brake spider mounting bolts to fine thread brake spider mounting bolts. The brake spider mounting bolts are supplied separately by Freightliner, Sterling and Western Star, refer to vehicle manufacturer for bolt dimensions and torque specifications. Hendrickson will not be responsible for any damage to the STEERTEK upper knuckle components resulting from using the improper brake spider mounting bolts.
- *** Hendrickson supplies different tie rod configurations. Prior to ordering find the part number on the tie rod end, see Hendrickson Lit. No. SEU-0223.

SERVICE KIT NOTE:

Quantities of Service Kit components may vary from amount shown in lists.

SERVICE KITS QUICK REFERENCE

60961-009	Kingpin Bushing Service Kit
60961-015	Top/Bottom Axle Wrap Liner Service Kit
	Tie Rod End Service Kit Axle Set
60961-081	69 KPI, 12K-12.5K, 4.25 Drop
60961-082	70.9 KPI, 14.6K, 4.25 Drop
60961-012	70.9 KPI, 12K-12.5K, 5.36 Drop
	***LH Tie Rod End Service Kit
60961-083	69 KPI, 12K-12.5K, 4.25 Drop
60961-085	70.9 KPI, 14.6K, 4.25 Drop
60961-029	70.9 KPI, 12K-12.5K, 5.36 Drop
	***RH Tie Rod End Service Kit
60961-084	69 KPI, 12K-12.5K, 4.25 Drop
60961-086	70.9 KPI, 14.6K, 4.25 Drop
60961-030	70.9 KPI, 12K-12.5K, 5.36 Drop

This is a general parts list to provide directional information. Components may vary by mode. For questions, contact Hendrickson Sales Engineering at 630-910-2800 (email: truckparts@hendrickson-intl.com).

www.hendrickson-intl.com



Truck Suspension Systems
800 South Frontage Road
Woodridge, IL 60517-4904 USA

630.910.2800
Fax 630.910.2899