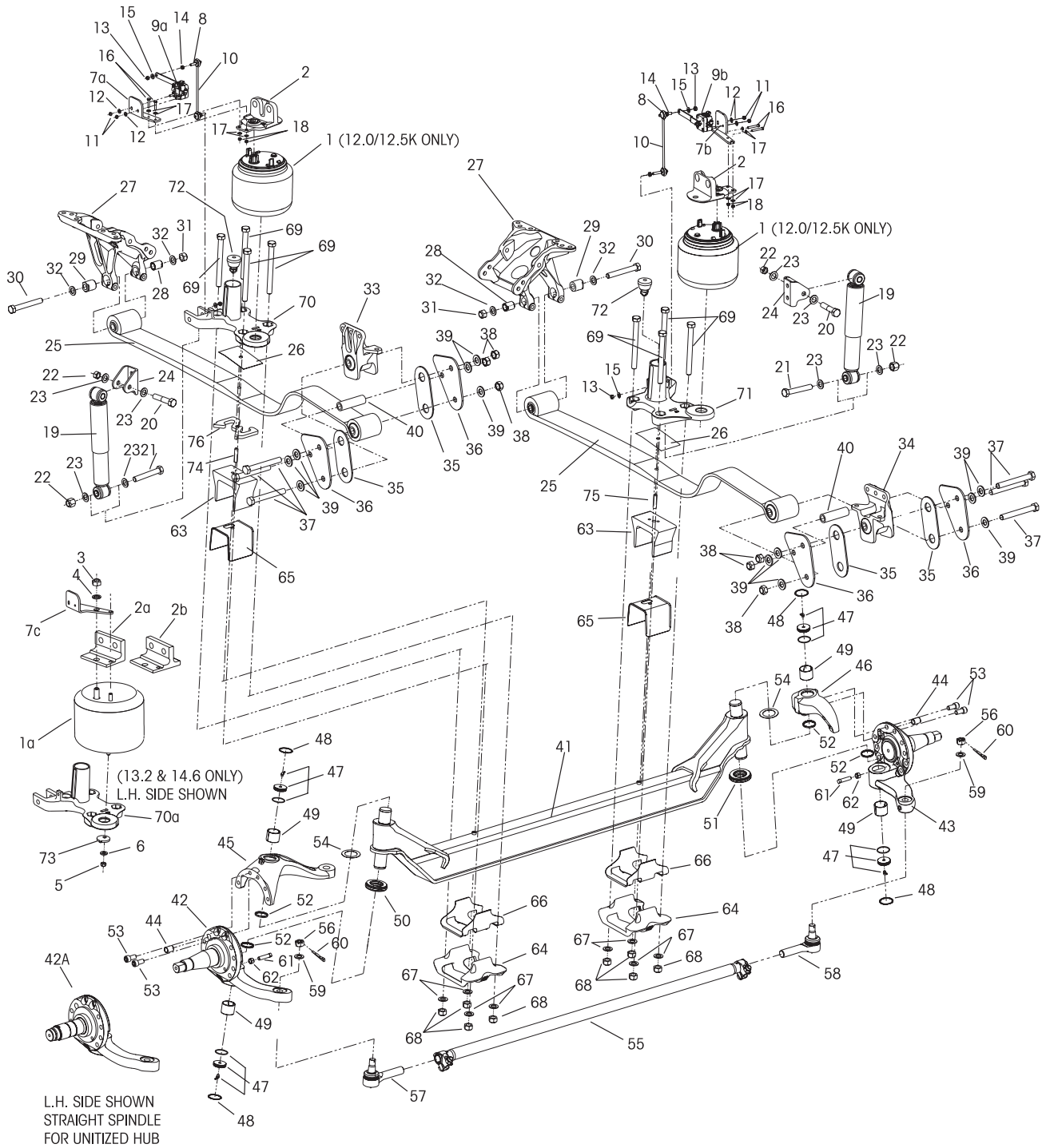




SECTION 5  
Parts List





KEY NO.	PART NO.	DESCRIPTION	NO.REQ.	KEY NO.	PART NO.	DESCRIPTION	NO.REQ.
1		Air Spring	2		60961-033	<b>Front Hanger Service Kit</b> (Includes Key Nos. 28-32)	2
	60750-002	12/12.5K					
1a	60716-002	13.2/14.6K		28	64486-000	Spring Adapter Inboard, Replaces 64162-000	1
2		Air Spring Bracket	2				
	60757-000	12/12.5K 266 Rail					
	60976-000	12/12.5K 300 Rail		29	64487-000	Spring Adapter Outboard, Replaces 64163-000	1
2a	60738-001	13.2/14.6K 266 Rail		30	58258-009	M20 x 2.5-6G 230 mm Hex Bolt	1
2b	60738-002	13.2/14.6K 300 Rail		31	58259-001	M20 x 2.5-6H Locknut	1
		Air Spring Fasteners (Key Nos. 3-6 for 13.2/14.6K only )		32	58246-009	M20 Flat Washer	2
3	58259-001	M20 x 2.5-6H Locknut	2			<b>LH Rear Shackle Bracket Assembly Kit</b> (Includes Key Nos. 33, 35-40)	1
4	58246-009	M20 Flat Washer	2		64088-001L	266 Frame Rail	
5	58248-001	M12 x 1.75-6H Locknut	2		64165-001L	300 Frame Rail	
6	58246-001	M12 Flat Washer	2			<b>RH Rear Shackle Bracket Assembly Kit</b> (Includes Key Nos. 34-40)	1
		Dual HCV, Link Mount & Linkage Assembly (Includes Key Nos. 7-15) <b>Vehicle equipped with dual Height Control Valves in production after 03/05</b>	1		64088-002L	266 Frame Rail	
	65601-001	LH 12/12.5K			64165-002L	300 Frame Rail	
	65601-002	RH 12/12.5K		33		LH Rear Shackle Bracket w/Bushing (Cast Part No. 64153-001)	1
	65602-001	LH 13.2/14.6K			64175-001	266 Frame Rail	
	65602-002	RH 13.2/14.6K (Vehicle equipped with single Height Control Valve built prior to 03/05, see page 13)			64176-001	300 Frame Rail	
		Dual Height Control Valve Bracket	1			RH Rear Shackle Bracket w/Bushing (Cast Part No. 64153-002)	1
7a	64480-000	LH 12/12.5K			64175-002	266 Frame Rail	
7b	64480-002	RH 12/12.5K			64176-002	300 Frame Rail	
7c	64481-000	LH 13.2/14.6K			60961-034	<b>Shackle Bracket Service Kit,</b> (Includes Key Nos. 35-40)	1
Not Shown	64481-002	RH 13.2/14.6K		35	64159-000	Thrust Washer	2
		Dual Height Control Valve & Linkage Assembly	1	36	64794-000	Shackle Plate, Replaces 64158-000	2
	59427-010	LH (Includes Key Nos. 8, 9a-15)		37	58258-008	M20 x 2.5-6G 160 mm Hex Bolt	3
	59427-012	RH (Includes Key Nos. 8, 9b-15)		38	58259-001	M20 x 2.5-6H Locknut	3
8	59169-002	M8 Link Stud	2	39	58246-009	M20 Flat Washer	6
9a	59935-006	LH Height Control Valve	1	40	60631-000	Shackle Stop Spacer	1
9b	59935-009	RH Height Control Valve	1		60952-0XX	<b>STEERTEK Axle Assembly</b> (Includes Key Nos. 41-67)	1
10	59428-004	Height Control Valve Linkage	1	41		Axle & King Pin Assembly	1
11	65092-000	M6 x 1.0-6H Locknut, Replaces 49983-000	2		64905-001	12/12.5K, 4.25 Drop, 70.9 KPI, 338/366 Ride Ht., Replaces 59924-001	
12	58246-016	M6 Flat Washer, Replaces 22962-028	2		64905-005	13.2K/14.6K, 4.25 Drop, 70.9 KPI, 338/366 Ride Ht., Replaces 59924-005	
13	64297-000	M8 x 1.25-6H Locknut	2	42		LH Lower Steering Knuckle Assembly	1
14	64298-000	M8 x 1.25-6H Hexnut	2		58900-007	<190 Ackermann STD Hub	
15	58246-012	M8 Flat Washer	2		58900-009	>190 Ackermann STD Hub	
16		*M6 x 1-6G Hex Bolt 12/12.5K	2	42a	58900-017	<190 Ackermann Unitized Hub	
17		*M6 Flat Washer 12/12.5K	4	42a	58900-019	>190 Ackermann Unitized Hub	
18		*M6 x 1-6H Locknut 12/12.5K	4	43		RH Lower Steering Knuckle Assembly	1
19		Shock Absorber	1		58900-008	<190 Ackermann STD Hub	
	64838-001L	12/12.5K all models excluding 780			58900-010	>190 Ackermann STD Hub	
	64838-002L	12/12.5K Model 780 and all 13.2K/14.6K		Not Shown	58900-018	<190 Ackermann Unitized Hub	
20	58244-010	*M16 x 2-6G 90 mm Upper Shock Bolt	1	Not Shown	58900-020	>190 Ackermann Unitized Hub	
21	58244-009	*M16 x 2-6G 110 mm Lower Shock Bolt	1	44	64246-000	ABS Sensor Sleeve	2
22	58245-001	*M16 x 2-6H Locknut	2	45		LH Upper Steering Knuckle Assembly	1
23	58246-010	*M16 Flat Washer	8		60903-011	12K/14.6K, 4.25 Drop, 70.9 KPI, 338 Ride Ht.	
24	64241-001	Upper Shock Bracket	2		60903-013	12K/14.6K, 4.25 Drop, 70.9 KPI, 366 Ride Ht.	
	60961-072	<b>Front Spring Assembly Service Kit</b> (Includes Part No. 64772-000 & Key No. 36)		46	60904-002	RH Upper Steering Knuckle Assembly	1
25		Spring Assembly	2		60961-040	<b>King Pin Bushing Service Kit Axle Set</b> (Includes Kit Nos. 60961-009 & 60961-039)	1
	64772-000	<i>In Production After 11/01/03,</i> (Includes Key No. 26)			60961-009	<b>LH King Pin Composite Bearing Service Kit</b> (Includes Key Nos. 47-50, 52-54 & Loctite)	1
	64485-000	<i>In Production Through 10/31/03,</i> (Replaced by 60961-072, see above Service Kit)			60961-039	<b>RH King Pin Roller Bearing Service Kit</b> (Includes Key Nos. 47-49, 51-54 & Loctite)	1
26		*Steel Galvanized Liner	1	47	59156-000	Grease Cap Assembly	2
27		*Front Spring Hanger	2	48	58937-000	Retaining Ring	2
				49	58909-000	King Pin Bushing	2



KEY NO.	PART NO.	DESCRIPTION	NO.REQ.
	60961-043	<b>Thrust Bearing Service Kit Axle Set</b> (Includes Key Nos. 50-54 & Loctite)	
	60961-041	<b>LH Thrust Bearing-Composite Service Kit</b> (Includes Key Nos. 50, 52-54 & Loctite)	
	60961-042	<b>RH Thrust Bearing-Roller Service Kit</b> (Includes Key Nos. 51-54 & Loctite)	
50	59828-000	LH Thrust Bearing – Composite	1
51	64256-000	RH Thrust Bearing – Roller	1
52	58910-000	King Pin Seal	2
53	60236-001	5/8" Socket head cap screw	2
54	60259-002	King Pin Shim	1
Not Shown	60937-000	Loctite (Red) Compound Tube	1
55		Tie Rod Assembly	1
	64801-002	12K/12.5K, 4.25 Drop, 70.9 KPI, 338/366 Ride HT., <190 Ackermann, Replaces 64006-002	
	64442-003	13.2K/14.6K, 4.25 Drop, 70.9 KPI, 338/366 Ride HT., >190 Ackermann, Replaces 64006-003	
56		<b>**3/4" Castile Nut</b>	2
		<b>***Tie Rod End Service Kit Axle Set</b> (Includes Kit Nos. 60961-083 & -084)	1
	60961-081	12K/12.5K	
	60961-082	13.2K/14.6K	
		<b>***LH Tie Rod Service Kit</b> (Includes Key Nos. 57, 59-60)	1
	60961-083	12K/12.5K	
	60961-085	13.2K/14.6K	
		<b>***RH Tie Rod Service Kit</b> (Includes Key Nos. 58-60)	1
	60961-084	12K/12.5K	
	60961-086	13.2K/14.6K	
57		<b>***LH Tie Rod End, 70.9 KPI 4.25 Drop</b>	1
	65033-001	12K/12.5K	
	65034-001	13.2K/14.6K	
58		<b>***RH Tie Rod End, 70.9 KPI 4.25 Drop</b>	1
	65033-002	12K/12.5K	
	65034-002	13.2K/14.6K	
59	22962-007	7/8" Flat Washer	1
60	17800-004	Tie Rod Nut Cotter Pin	1
61	60238-001	1/2" 13 UNC Sq. Head Bolt	2
62	60240-000	1/2" 13 UNC Hex Jam Nut	2
63	59952-017	Top Axle Wrap, Replaces 59952-013 & 59952-014	2
64	64722-003	Bottom Axle Wrap, Replaces 64014-003 & 60622-003	2
		<b>Clamp Group Service Kit</b> (Includes Key Nos. 65-69) <i>Vehicle equipped with dual Height Control Valves in production after 03/05</i>	2
	60961-035	12K/12.5K and 13.2/14.6K 338mm Ride Height	
	60961-036	12K/12.5K and 13.2/14.6K 366mm Ride Height <i>Vehicle equipped with single Height Control Valve built prior to 03/05</i>	
	60961-035	12K/12.5K 338mm Ride Height	
	60961-036	12K/12.5K 366mm Ride Height	
	60961-037	13.2/14.6K 338mm Ride Height	
	60961-038	13.2/14.6K 366mm Ride Height	
	60961-015	<b>Top/Bottom Axle Wrap Liner Service Kit</b> (Includes Key Nos. 65-66)	
65	60508-000	Top Axle Wrap Liner	1
66	59845-000	Bottom Axle Wrap Liner	1
67	58246-009	M20 Flat Washer	4
68	65072-001	M20 x 2.5-6H Locknut	4

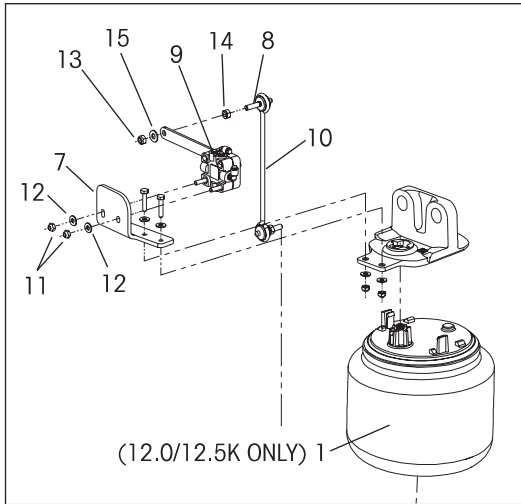
KEY NO.	PART NO.	DESCRIPTION	NO.REQ.
69		M20 x 2.5-6G Hex Bolt <i>Vehicle equipped with dual Height Control Valves in production after 03/05</i>	4
	58258-007	12/12.5K and 13.2/14.6K 338 Ride Height, Bolt Length 220mm	
	58258-011	12/12.5K and 13.2/14.6K 366 Ride Height, Bolt Length 250mm <i>Vehicle equipped with single Height Control Valve built prior to 03/05</i>	
	58258-009	12/12.5K, 338 Ride Height, Bolt Length 220mm	
	58258-010	12/12.5K, 366 Ride Height, Bolt Length 250mm	
	58258-007	13.2/14.6K, 338 Ride Height, Bolt Length 220mm	
	58258-011	13.2/14.6K, 366 Ride Height, Bolt Length 250mm	
		LH Top Spring Pad Assembly (Includes Key Nos. 70, 72)	1
	64725-001L	266 Frame Rail, Replaces 64172-001L	
	64727-001L	300 Frame Rail, Replaces 64173-001L	
		LH Top Spring Pad	1
70	64725-001L	<b>**266 Frame Rail, Replaces 64157-001 Use Part No. 64172-001L for Service</b>	
70a	64727-001L	<b>**300 Frame Rail, Replaces 64161-001 Use Part No. 64173-001L for Service</b>	
		RH Top Spring Pad Assembly (Includes Key Nos. 71-72)	1
	64725-002L	266 Frame Rail, Replaces 64172-002L	
	64727-002L	300 Frame Rail, Replaces 64173-002L	
71		RH Top Spring Pad	1
	64725-002L	<b>**266 Frame Rail, Replaces 64157-002 Use Part No. 64172-002L for Service</b>	
	64727-002L	<b>**300 Frame Rail, Replaces 64161-002 Use Part No. 64173-002L for Service</b>	
72	64080-000	Rubber Axle Stop	1
73	64166-000	Air Spring Adapter for Top Spring Pad 13.2 & 14.6K Only	2
74		LH Dowel Pin <i>Vehicle equipped with dual Height Control Valves in production after 03/05</i>	1
	57159-004	366 Ride Ht. 66.8mm <i>Vehicle equipped with single Height Control Valve built prior to 03/05</i>	
	57159-007	338 Ride Ht. 79.5mm	
	57159-012	338 Ride Ht. 85.9mm	
	57159-009	366 Ride Ht. 107.2mm	
	57159-013	366 Ride Ht. 115mm	
75		RH Dowel Pin <i>Vehicle equipped with dual Height Control Valves in production after 03/05</i>	1
	57159-004	366 Ride Ht. 66.8mm <i>Vehicle equipped with single Height Control Valve built prior to 03/05</i>	
	57159-004	338 Ride Ht. 66.8mm	
	57159-008	366 Ride Ht. 94.8mm	
76		LH Front Axle Spacer <i>Vehicle equipped with dual Height Control Valves in production after 03/05</i>	1
	64318-028	366 Ride Ht. 28mm <i>Vehicle equipped with single Height Control Valve built prior to 03/05</i>	
	64318-012	338 Ride Ht. 12mm	
	64318-020	338 Ride Ht. 20mm	
	64318-040	366 Ride Ht. 40mm	
	64318-048	366 Ride Ht. 48mm	
Not Shown	64318-028	RH Front Axle Spacer 366 Ride Ht. 28mm	1



**KEY NO. PART NO. DESCRIPTION NO.REQ.**

**SINGLE HEIGHT CONTROL VALVE**

*For vehicles in production prior to 03/05*



(12.0/12.5K ONLY) 1

Single HCV, Link Mount & Linkage Assembly 1  
(Includes Key Nos. 7-15)

64089-000	12/12.5K	
64094-000	13.2/14.6K	
7	Single Height Control Valve Bracket	1
64480-000	12/12.5K	
64481-000	13.2/14.6K	
59427-006	Single Height Control Valve & Linkage Assembly	1
	(Includes Key Nos. 8-15)	
8	M8 Link Stud	2
9	59935-003 Height Control Valve	1
10	59428-004 Height Control Valve Linkage	1
11	49983-000 1/4" 20 UNC Locknut	2
12	22962-028 1/4" Flat Washer	2
13	64297-000 M8 x 1.25-6H Locknut	2
14	64298-000 M8 x 1.25-6H Hexnut	2
15	58246-012 M8 Flat Washer	2

**KEY NO. PART NO. DESCRIPTION NO.REQ.**

Hendrickson has **Dual Height Control Valve Conversion Kits** available to convert from Single Height Control Valve to Dual Height Control Valve.

60961-101	<b>Dual Height Control Valve and Linkage Kit 12/12.5K</b>	1
	(Includes following parts)	
59427-010	LH Control Valve Arm Assembly	1
59427-012	RH Control Valve Arm Assembly	1
64480-000	LH Height Control Bracket	1
64480-002	RH Height Control Bracket	1
58246-016	M6 Hardened Washer	4
65091-001	M6 x 1-6G Hexbolt 30mm	2
65092-000	M6 x 1-6H Locknut	2
60961-102	<b>Dual Height Control Valve and Linkage Kit 13.2K/14.6K</b>	1
	(Includes following parts)	
59427-010	LH Control Valve Arm Assembly	1
59427-012	RH Control Valve Arm Assembly	1
64481-000	LH Height Control Bracket	1
64481-002	RH Height Control Bracket	1
58246-016	M6 Hardened Washer	4
65091-001	M6 x 1-6G Hexbolt 30mm	2
65092-000	M6 x 1-6H Locknut	2

**NOTE:** Quantities of Service Kit components may vary from amount shown in lists.

**NOTE:**

\* Not supplied by Hendrickson, used for reference only. Refer to OEM (vehicle manufacturer) for more information. Hendrickson is not responsible for components supplied by vehicle manufacturer. For assistance with maintenance and rebuild instructions on these components see vehicle manufacturer.

\*\* Item included in assembly only, part not sold separately.

\*\*\* Hendrickson supplies different tie rod assemblies and each type may take a different replacement tie rod end kit to service. Prior to ordering find the part number on the tie rod tube, see Hendrickson publication no. SEU-0223 or contact Hendrickson Sales Engineering for corresponding kit numbers.

**SERVICE KITS QUICK REFERENCE**

60961-015	Top/Bottom Axle Wrap Liner Service Kit
60961-033	Front Hanger Service Kit
60961-034	Shackle Bracket Service Kit
	Clamp Group Service Kit
60961-035	12K/12.5K 338mm Ride Height
60961-036	12K/12.5K 366mm Ride Height
60961-037	13.2/14.6K 338mm Ride Height
60961-038	13.2/14.6K 366mm Ride Height
60961-040	King Pin Bushing Service Kit Axle Set
60961-009	LH King Pin-Composite Bearing Service Kit
60961-039	RH King Pin-Roller Bearing Service Kit
60961-043	Thrust Bearing Service Kit Axle Set
60961-041	LH Thrust Bearing-Composite Service Kit
60961-042	RH Thrust Bearing-Roller Service Kit

60961-072	AIRTEK Spring Service Kit
	***Tie Rod End Service Kit Axle Set
60961-081	12K/12.5K
60961-082	13.2K/14.6K
	***LH Tie Rod End Service Kit
60961-083	12K/12.5K
60961-085	13.2K/14.6K
	***RH Tie Rod End Service Kit
60961-084	12K/12.5K
60961-086	13.2K/14.6K
	Dual Height Control Valve and Linkage Kit
60961-101	12K/12.5K
60961-102	13.2K/14.6K

**HENDRICKSON AIRTEK RIDE HEIGHT GAUGES FOR VOLVO VEHICLES:**

Lit No. 45745-170 for 12K/12.5K Capacity, Lit No. 45745-195 for 13.2K/14.6K Capacity.

Height Gauges can be obtained by calling Hendrickson Fulfillment at 800.973.0360 or Tech Services at 630.910.2800.