

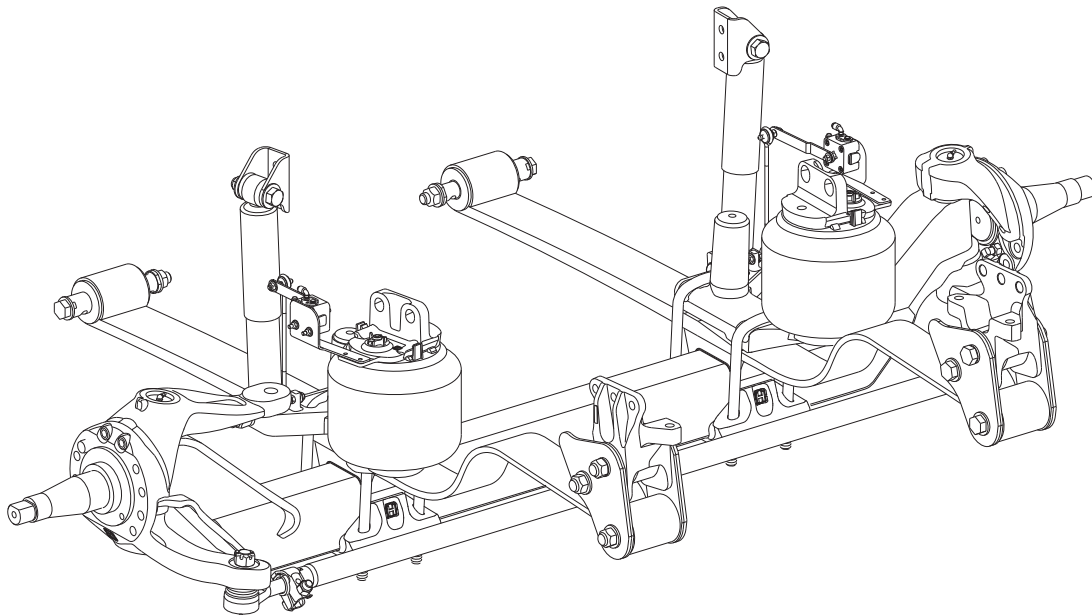
PARTS LIST

AIRTEK[®] for Mack Vehicles

LIT NO: SP-180

DATE: July 2008

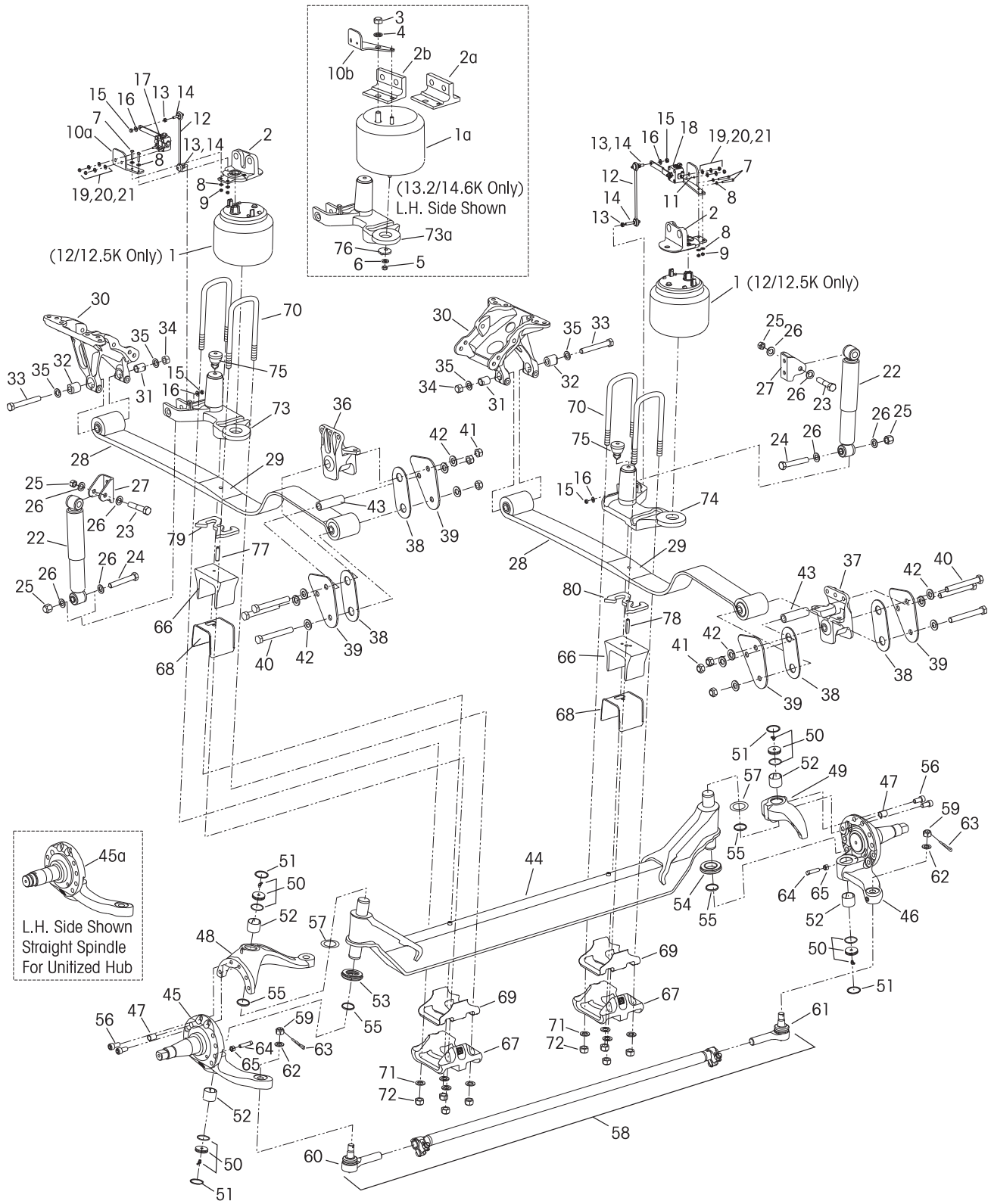
REVISION: B



For The Road Ahead[™]

 HENDRICKSON

For Vehicles with Post'07 Engine





KEY NO.	PART NO.	DESCRIPTION	NO.REQ.	KEY NO.	PART NO.	DESCRIPTION	NO.REQ.
1	66349-002L	Air Spring 12K/12.5K, <i>Replaces 60750-002L</i> •Vehicles built prior to 06/07 , must use Air Spring with Support Plate Service Kit No. 60961-182	2			LH Rear Shackle Bracket Service Kit, One Side Includes Key Nos. 36, 38-43	
1a	60716-002L	13.2K/14.6K				RH Rear Shackle Bracket Service Kit, One Side Includes Key Nos. 37-43	
2		Air Spring Bracket	2				
	60757-000	12K/12.5K 266 Rail			64876-001L	266 Frame Rail	
	60976-000	12K/12.5K 300 Rail			64800-001L	300 Frame Rail	
2a	60738-001	13.2K/14.6K 266 Rail		36		LH Rear Shackle Bracket w/Bushing (Cast Part No. 64153-001)	1
2b	60738-002	13.2K/14.6K 300 Rail			64175-001	266 Frame Rail	
		Air Spring Fasteners, Key Nos. 3-6 for 13.2K/14.6K only Key Nos. 7-9 for 12K/12.5K only			64176-001	300 Frame Rail	
3	58259-001	M20 x 2.5-6H Locknut	2	37		RH Rear Shackle Bracket w/Bushing (Cast Part No. 64153-002)	1
4		*M20 Flat Washer	2		64175-002	266 Frame Rail	
5		*M12 x 1.75-6H Locknut	2		64176-002	300 Frame Rail	
6		*M12 Flat Washer	2		60961-034	Shackle Bracket Service Kit, Axle Set, Includes Key Nos. 38-43	
7		*M6 x 1-6G Hex Bolt	4	38	64159-000	Thrust Washer	4
8		*M6 Flat Washer	8	39	64794-000	Shackle Plate	4
9		*M6 x 1-6H Locknut	4	40	58258-008	M20 x 2.5-6G 160 mm Hex Bolt	6
		Dual HCV, Link Mount & Linkage Assembly, Includes Key Nos. 10-21 •Vehicles equipped with dual HCVs, built after 03/05	2	41	58259-001	M20 x 2.5-6H Locknut	6
	65601-006	LH 12K/12.5K		42	58246-009	M20 Flat Washer	12
	65601-007	RH 12K/12.5K		43	60631-000	Shackle Stop Spacer	2
	65602-006	LH 13.2K/14.6K			60952-0XX	STEERTEK Axle Assembly, Includes Key Nos. 44-69	1
	65602-007	RH 13.2K/14.6K •Vehicles equipped with single HCV, built prior to 03/05 , see page 5		44		Axle & Kingpin Assembly, 70.9 KPI	1
		LH Dual Height Control Valve Bracket	1		64905-001	12K/12.5K, 4.25 Drop, 338/366 mm Ride Ht.	
10a	64480-005	12K/12.5K			64905-003	12K/12.5K, 5.36 Drop, 338 mm Ride Ht.	
10b	64481-005	13.2K/14.6K			64905-005	13.2K/14.6K, 4.25 Drop, 338/366 mm Ride Ht.	
		RH Dual Height Control Valve Bracket	1		64905-007	13.2K/14.6K, 5.36 Drop, 338 mm Ride Ht.	
11	64480-004	12K/12.5K		45		LH Lower Steering Knuckle Assembly	1
Not Shown	64481-004	13.2K/14.6K			58900-007	<190 Ackermann STD Hub	
		Dual HCV & Linkage Assembly	2		58900-009	>190 Ackermann STD Hub	
	59427-025	LH, Includes Key Nos. 12-17, 19-21		45a	58900-017	<190 Ackermann Unitized Hub	
	59427-026	RH, Includes Key Nos. 12-16, 18-21		45a	58900-019	>190 Ackermann Unitized Hub	
12	59428-004	Height Control Valve Linkage	2	46		RH Lower Steering Knuckle Assembly	1
13	64298-000	M8 x 1.25-6H Hex Nut	4		58900-008	<190 Ackermann STD Hub	
14	59169-002	M8 Link Stud	4		58900-010	>190 Ackermann STD Hub	
15	64297-000	M8 x 1.25-6H Locknut	4	Not Shown	58900-018	<190 Ackermann Unitized Hub	
16	58246-012	M8 Flat Washer	4	Not Shown	58900-020	>190 Ackermann Unitized Hub	
17	59935-017	LH Height Control Valve	1	47	64246-000	ABS Sensor Sleeve	2
18	59935-016	RH Height Control Valve	1	48		LH Upper Steering Knuckle Assembly	1
19	58246-014	M6 Flat Washer	4		60903-011	338 mm Ride Ht.	
20	17497-001	¼" Lockwasher	4		60903-013	366 mm Ride Ht.	
21	66388-000	M6 x 1.0-6H Locknut	4	49	60904-002	RH Upper Steering Knuckle Assembly	1
22	64838-002L	Shock Absorber	2		60961-040	Kingpin Bushing and Bearing Service Kit, Axle Set, Includes Kit Nos. 60961-009 & 60961-039	
23		*M16 x 2-6G 90 mm Upper Shock Bolt	2		60961-009	LH Kingpin Bushing w/Composite Thrust Bearing Service Kit, Includes Key Nos. 50-53, 55-57 & Loctite	
24		*M16 x 2-6G 110 mm Lower Shock Bolt	2		60961-039	RH Kingpin Bushing w/Roller Thrust Bearing Service Kit, Includes Key Nos. 50-52, 54-57 & Loctite	
25		*M16 x 2-6H Locknut	4	50	59156-000	Grease Cap Assembly	4
26		*M16 Flat Washer	8	51	58937-000	Retaining Ring	4
27	64241-001	Upper Shock Bracket	2	52	58909-000	Kingpin Bushing	4
	60961-072	Front Spring Assembly Service Kit, One Side, Includes Key Nos. 28, 39			60961-043	Thrust Bearing Service Kit, Axle Set, Includes Key Nos. 53-57 & Loctite	
28	64772-000	Spring Assembly, Includes Key No. 29	2		60961-041	LH Composite Thrust Bearing Service Kit, Includes Key Nos. 53, 55-57 & Loctite	
29		**Steel Galvanized Liner	2		60961-042	RH Roller Thrust Bearing Service Kit, Includes Key Nos. 54-57 & Loctite	
30		*Front Spring Hanger	2	53	59828-000	LH Composite Thrust Bearing	1
	60961-033	Front Hanger Service Kit, One Side, Includes Key Nos. 31-35		54	64256-000	RH Roller Thrust Bearing	1
31	64486-000	Inboard Spring Adapter, <i>Replaces 64162-000</i>	2	55	58910-000	Kingpin Seal	4
32	64487-000	Outboard Spring Adapter, <i>Replaces 64163-000</i>	2	56	60236-001	⅝" Socket head cap screw	4
33	58258-009	M20 x 2.5-6G 230 mm Hex Bolt	2	57	60259-002	Kingpin Shim	2
34	58259-001	M20 x 2.5-6H Locknut	2	Not Shown	60937-000	Loctite (Red) Compound Tube	1
35		*M20 Flat Washer	4				



KEY NO.	PART NO.	DESCRIPTION	NO.REQ.	KEY NO.	PART NO.	DESCRIPTION	NO.REQ.
58		Tie Rod Assembly, Includes Key Nos. 59-63 12K/12.5K	1	71	58246-009	M20 Flat Washer	8
	60239-001	<190 Ackermann, <i>Replaces 64801-002</i>		72	65072-001	M20 x 2.5-6H Locknut	8
	60239-002	>190 Ackermann, <i>Replaces 64801-003</i>		73		LH Top Pad	1
	64006-001	<190 Ackermann, <i>Replaces 64442-002</i>			67266-001L	•Vehicles built with Post'07 Engine, see page 5 for vehicles built with Pre'07 Engine 266 Frame Rail, <i>Replaces 64517-001, 64172-001L, 64725-001L, 65493-001L</i>	
	64006-002	>190 Ackermann, <i>Replaces 64442-003</i>			67300-001L	300 Frame Rail, <i>Replaces 64173-001L, 64173-001L, 64727-001L, 65605-001L</i>	
59		*** $\frac{7}{8}$ " Castle Nut	2	74		RH Top Pad	1
		*** Tie Rod End Service Kit, Axle Set, Includes LH and RH Tie Rod End Service Kits			67266-002L	•Vehicles built with Post'07 Engine, see page 5 for vehicles built with Pre'07 Engine 266 Frame Rail, <i>Replaces 64517-002, 64172-002L, 64725-002L, 65493-002L</i>	
	60961-010	12K/12.5K, <i>Replaces 60961-081</i>			67300-002L	300 Frame Rail, <i>Replaces 64161-002, 64173-002L, 64727-002L, 65605-002L</i>	
	60961-011	13.2K/14.6K, <i>Replaces 60961-082</i>		75	64080-000	Rubber Axle Stop	2
		*** LH Tie Rod End Service Kit, Includes Key Nos. 60, 62-63		76	64166-000	Air Spring Adapter for Top Pad 13.2 & 14.6K Only	2
	60961-025	12K/12.5K, <i>Replaces 60961-083</i>		77		LH Dowel Pin	1
	60961-027	13.2K/14.6K, <i>Replaces 60961-085</i>			57159-004	•Vehicles equipped with dual HCVs, built after 03/05 366 mm Ride Height, 66.8 mm	
		*** RH Tie Rod End Service Kit, Includes Key Nos. 61-63			57159-007	•Vehicles equipped with single HCV built prior to 03/05 338 mm Ride Height, 79.5 mm	
	60961-026	12K/12.5K, <i>Replaces 60961-084</i>			57159-012	338 mm Ride Height, 85.9 mm	
	60961-028	13.2K/14.6K, <i>Replaces 60961-086</i>			57159-009	366 mm Ride Height, 107.2 mm	
60		***LH Tie Rod End	1		57159-013	366 mm Ride Height, 115 mm	
	64000-001	12K/12.5K, <i>Replaces 65033-001</i>		78		RH Dowel Pin	1
	64002-001	13.2K/14.6K, <i>Replaces 65034-001</i>			57159-004	•Vehicles equipped with dual HCVs built after 03/05 366 mm RRide Height, 66.8 mm	
61		***RH Tie Rod End	1		57159-004	•Vehicles equipped with single HCV built prior to 03/05 338 mm Ride Height, 66.8 mm	
	64000-002	12K/12.5K, <i>Replaces 65033-002</i>			57159-008	366 mm Ride Height, 94.8 mm	
	64002-002	13.2K/14.6K, <i>Replaces 65034-002</i>		79		LH Front Axle Spacer	1
62	22962-007	$\frac{7}{8}$ " Flat Washer	2		64318-028	•Vehicles equipped with dual HCVs built after 03/05 366 mm Ride Height, 28 mm	
63	17800-004	Tie Rod Nut Cotter Pin	2			•Vehicles equipped with single HCV built prior to 03/05 338 mm Ride Height, 12 mm	
64	60238-001	$\frac{1}{2}$ "-13 UNC Square Head Bolt	2		64318-020	338 mm Ride Height, 20 mm	
65	60240-000	$\frac{1}{2}$ "-13 UNC Hex Jam Nut	2		64318-040	366 mm Ride Height, 40 mm	
66	59952-017	Top Axle Wrap	2		64318-048	366 mm Ride Height, 48 mm	
67	64722-003	Bottom Axle Wrap	2	80		RH Front Axle Spacer	1
		Clamp Group Service Kit, One Side, Includes Key Nos. 68-72			64318-028	•Vehicles equipped with dual HCVs built after 03/05 366 mm Ride Height, 28 mm	
	60961-185	12K/12.5K and 13.2K/14.6K 366 mm Ride Height, 4.25 Drop 338 mm Ride Height, 5.36 Drop				•Vehicles equipped with single HCV built prior to 03/05 338 mm Ride Height, 12 mm	
	60961-186	12K/12.5K, 338 mm Ride Ht., 4.25 Drop			64318-020	338 mm Ride Height, 20 mm	
	60961-187	13.2K/14.6K, 338 mm Ride Ht., 4.25 Drop			64318-040	366 mm Ride Height, 40 mm	
	60961-015	Top/Bottom Axle Wrap Liner Service Kit, One Side, Includes Key Nos. 68-69			64318-048	366 mm Ride Height, 48 mm	
68	60508-000	Top Axle Wrap Liner	2				
69	59845-000	Bottom Axle Wrap Liner	2				
70		M20 x 2.5-6G U-bolt	4				
		• Vehicles built with Post'07 Engine, see page 5 for vehicles built with Pre'07 Engine					
	65663-002	12K/12.5K and 13.2K/14.6K 366 mm Ride Ht., Bolt Length 275 mm					
	65663-003	12K/12.5K 338 mm Ride Ht., Bolt Length 225 mm					
	65663-004	13.2K/14.6K 338 mm Ride Ht., Bolt Length 255 mm					

NOTE: * Not supplied by Hendrickson, used for reference only. Refer to OEM (vehicle manufacturer) for more information. Hendrickson is not responsible for components supplied by vehicle manufacturer. For assistance with maintenance and rebuild instructions on these components see vehicle manufacturer.

** Item included in assembly only, part not sold separately.

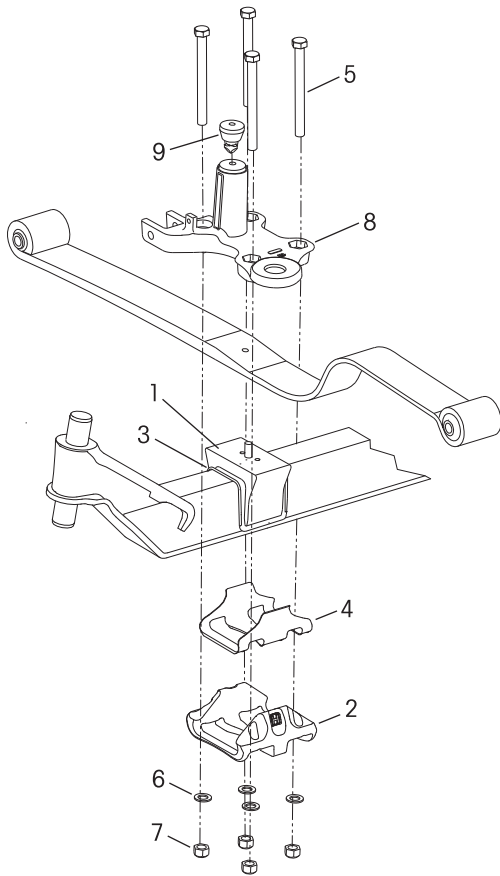
*** Hendrickson supplies different tie rod assemblies and each type may take a different replacement tie rod end kit to service. Prior to ordering find the part number on the tie rod tube, see Hendrickson Literature No. SEU-0223 or contact Hendrickson Sales Engineering for corresponding kit numbers.

HENDRICKSON AIRTEK RIDE HEIGHT GAUGES FOR MACK VEHICLES:

Lit No. 45745-170 (12K/12.5K Capacity) or Lit No. 45745-195 (13.2K/14.6K Capacity). Height Gauges can be obtained on-line at www.hendrickson-intl.com/literature/litform.asp

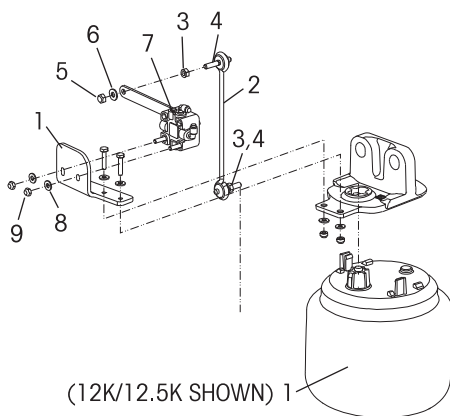


Top Pad with Hex Bolt
For Vehicles with Pre'07 Engine
(L.H. Side Shown)



KEY NO.	PART NO.	DESCRIPTION	NO.REQ.
1	59952-017	Top Axle Wrap	2
2	64722-003	Bottom Axle Wrap	2
Clamp Group Service Kit, One Side, Includes Key Nos. 3-7			
•Vehicles equipped with dual HCVs, built after 03/05 12K/12.5K and 13.2K/14.6K 338 mm Ride Ht. 60961-035 366 mm Ride Ht. 60961-036			
•Vehicles equipped with single HCV, built prior to 03/05 12K/12.5K, 338 mm Ride Ht. 60961-035 12K/12.5K, 366 mm Ride Ht. 60961-036 13.2K/14.6K, 338 mm Ride Ht. 60961-037 13.2K/14.6K, 366 mm Ride Ht. 60961-038			
3	60508-000	Top Axle Wrap Liner	2
4	59845-000	Bottom Axle Wrap Liner	2
5	M20 x 2.5-6G Hex Bolt		8
•Vehicles equipped with dual HCVs, built after 03/05 12K/12.5K and 13.2K/14.6K 338 mm Ride Ht., Bolt Length 220 mm 58258-007 366 mm Ride Ht., Bolt Length 250 mm 58258-011			
•Vehicles equipped with single HCV, built prior to 03/05 12K/12.5K 338 mm Ride Ht., Bolt Length 230 mm 58258-009 366 mm Ride Ht., Bolt Length 260 mm 58258-010 13.2K/14.6K 338 mm Ride Ht., Bolt Length 220 mm 58258-007 366 mm Ride Ht., Bolt Length 250 mm 58258-011			
6	58246-009	M20 Flat Washer	8
7	65072-001	M20 x 2.5-6H Locknut	8
8		Top Pad Assembly, (Pre '07 Engine Top Pads are obsolete. If top pad replacement is required, replace with current top pad and U-bolts, see Key Nos. 70, 73 and 74)	
9	64080-000	Rubber Axle Stop	2

Single Height Control Valve
For vehicles built prior to 03/05



KEY NO.	PART NO.	DESCRIPTION	NO.REQ.
Single HCV, Link Mount & Linkage Assembly, Includes Key Nos. 1-9			1
12K/12.5K 64089-000			
13.2K/14.6K 64094-000			
1		Single Height Control Valve Bracket	1
12K/12.5K 64480-000			
13.2K/14.6K 64481-000			
	59427-006	Single Height Control Valve & Linkage Assembly, Includes Key Nos. 2-9	1
2	59428-004	Height Control Valve Linkage	1
3	64298-000	M8 x 1.25-6H Hexnut	2
4	59169-002	M8 Link Stud	2
5	64297-000	M8 x 1.25-6H Locknut	2
6	58246-012	M8 Flat Washer	2
7	59935-003	Height Control Valve	1
8	22962-028	¼" Flat Washer	2
9	49983-000	¼" 20 UNC Locknut	2

Obtain a Hendrickson **Dual Height Control Valve Conversion Kit** to convert a single height control valve to dual height control valve configuration.

Dual Height Control Valve and Linkage Kit

60961-101	12K/12.5K Capacity
60961-102	13.2K/14.6K Capacity

This is a general parts list to provide directional information. Components may vary by model. For part questions, contact Hendrickson Sales Engineering at 630.910.2800 (email: truckparts@hendrickson-intl.com).

www.hendrickson-intl.com



Truck Suspension Systems
800 South Frontage Road
Woodridge, IL 60517-4904 USA

630.910.2800
Fax 630.910.2899