

# PARTS LIST

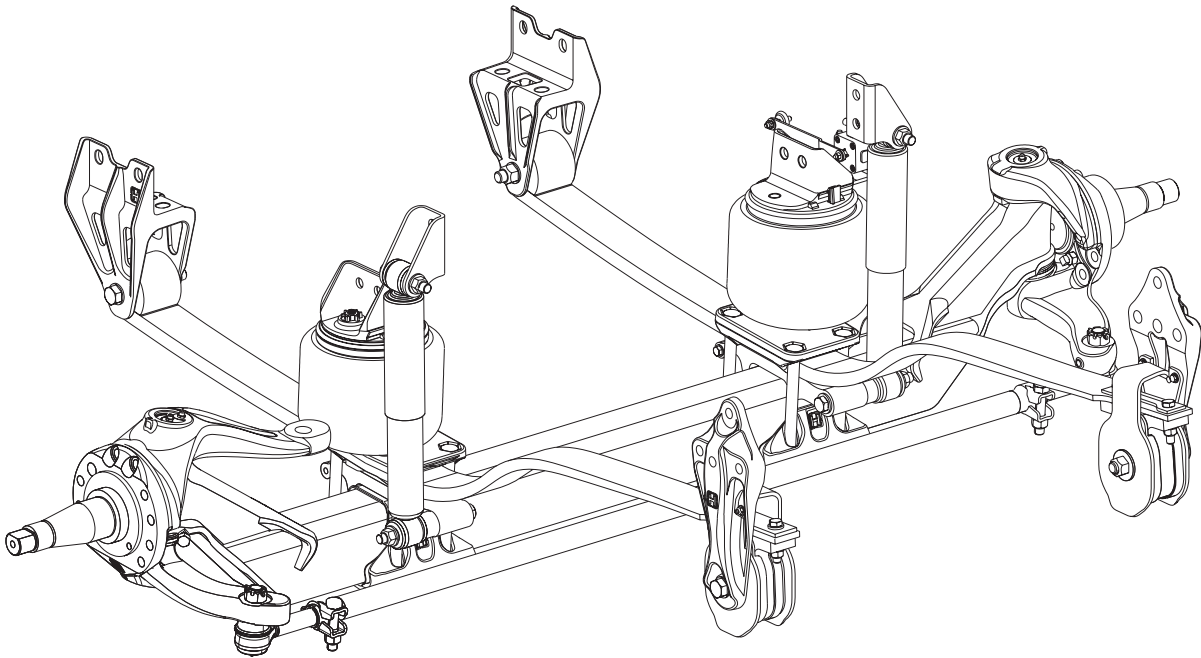
AIRTEK® for Freightliner and  
Western Star Vehicles

LIT NO: SP-169

DATE: March 2005

REVISION: B

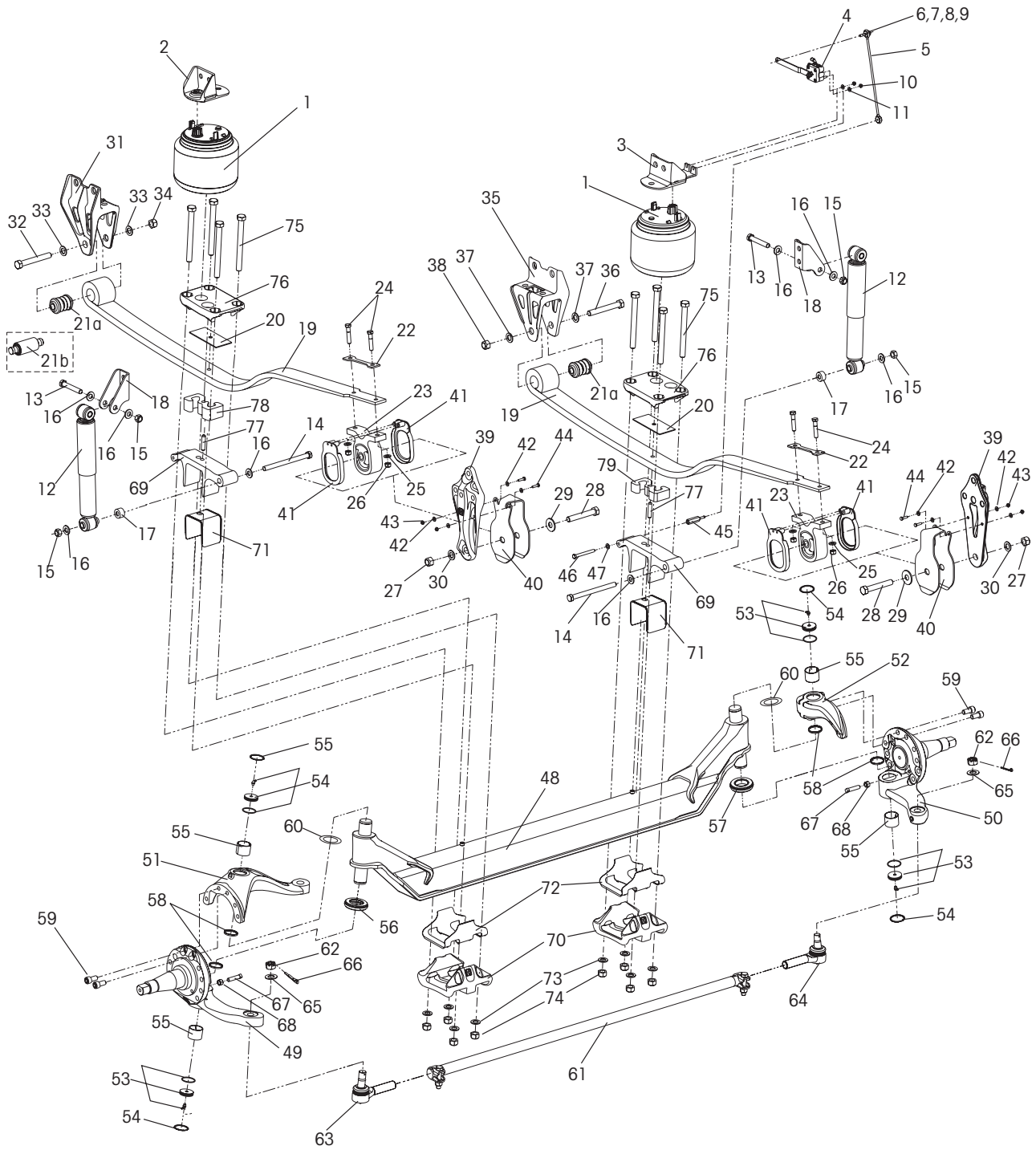
---



---

*For The Road Ahead™*

 HENDRICKSON





KEY NO.	PART NO.	DESCRIPTION	NO.REQ.	KEY NO.	PART NO.	DESCRIPTION	NO.REQ.
1	59823-002L	Air Spring	2		60961-003	<b>Rear Spring Eye Hardware Service Kit</b> (Includes Key Nos. 27-30 & 41)	2
2	60850-001	Air Spring Bracket LH	1	27	50764-008	3/4"-10 UNC 5" Hex Bolt	1
3	60850-002	Air Spring Bracket RH	1	28	49842-000	3/4"-10 UNC Locknut	1
		HCV & Linkage Assembly	1	29	22962-033	3/4" Wide Washer	1
	59427-005	(Includes Key Nos. 4, 5A, 6-11) CST/Columbia, CST/Columbia 1350 & Coronado, (Replaces Part No. 59427-001) Sterling (1200 & 1400 Radiators) Western Star (Set Back) 8.0" Ride Ht. Western Star (Set Forward) 7.0" Ride Ht.		30	22962-001	3/4" Flat Washer	1
		HCV & Linkage Assembly	1			<b>Left Hand Front Hanger Service Kit</b>	1
	59427-009	(Includes Key Nos. 4, 5B, 6-11) Western Star (Set Forward) 8.5" and 10.0" Ride Ht Western Star (Set Back) 10.0" Ride Ht (Replaces Part No. 59427-002)		60961-004	CST/Columbia/Sterling 1200 Rad. (Includes Key Nos. 31A, 32-34)		
4	59935-002	Height Control Valve (Replaces Part No. 59935-000)	1	60961-005	CST/Columbia1350 (Includes Key, Nos. 31B, 32-34)		
5A	59428-001	HCV Linkage	1	60961-017	Western Star (Set Back), (Includes Key, Nos. 31C, 32-34)		
5B	59428-002	HCV Linkage	1	31A	59832-001	Left Hand Front Hanger	1
6	59169-000	5/16"-18 UNC Stud	1	31B	60573-001	Left Hand Front Hanger	1
7	59016-000	5/16"-18 UNC Locknut	1	31C	59832-002	Left Hand Front Hanger	1
8	17491-011	5/16"-18 UNC Nut	1	31D	*Sterling 1400 Rad. Left Hand Front Hanger	1	
9	22962-029	5/16" Hardened Washer	1	31E	*Western Star (Set Forward) Left Hand Front Hanger	1	
10	49983-000	1/4"-20 UNC Locknut	2	32	58917-003	3/4"-10 UNC 5 1/2" Hex Bolt (Replaces Part No. 50764-012)	1
11	22962-028	1/4"-Hardened Washer	2	33	22962-001	3/4" Flat Washer	2
	60961-001	<b>Shock Absorber Service Kit</b> (Includes Key Nos. 12-17)	2	34	49842-000	3/4"-10 UNC-2B Hex Locknut	1
12	58913-003L	Shock Absorber	1			<b>Right Hand Front Hanger Service Kit</b> (Includes Key Nos. 35-38)	1
13	50764-004	3/4"-10 UNC 3.75" Upper Shock Bolt	1	60961-006	CST/Columbia		
14	58917-009	3/4"-10 UNC 7.0" Lower Shock bolt	1	60961-007	CST/Columbia1350		
15	49842-000	3/4"-10 UNC Hex Locknut	2	60961-018	Constellation (Western Star-Set Back)		
16	22962-001	3/4" Hardened Washer	4	35	59832-002	Right Hand Front Hanger CST/Columbia	1
17	59946-001	Shock Spacer	1	60573-002	CST/Columbia 1350		
18	59423-001	Shock Bracket	2	59832-001	Constellation (Western Star-Set Back)		
		Leaf Spring Assembly	2	36	50764-012	3/4"-10 UNC 5 1/2" Hex Bolt	1
	59930-021	(Includes Key Nos. 19-26 and 41) 12K CST/Columbia,CST/Columbia 1350, Western Star (Set Back) (Replaces Part No. 59930-001)		37	22962-001	3/4" Flat Washer	2
	59930-023	12K LH Coronado (Replaces Part No. 59930-003)		38	49842-000	3/4"-10 UNC-2B Hex Locknut	2
	59930-024	12K RH Coronado (Replaces Part No. 59930-004)		39	59829-001	Rear Hanger, (Casting No. 59825-000) (Replaces Part No. 59829-000)	2
	59930-025	Sterling Left Hand			60961-016	<b>Rear Hanger Clamp Service Kit</b> (Includes Key Nos. 29, 40-44)	
	59930-026	Sterling Right Hand		40	59830-001	Rear Hanger Clamp, (Replaces Part No. 59830-000)	1
	59930-027	Western Star (Set Forward) Left Hand		41	59346-001	Thrust Washer, (Replaces Part No. 59346-000)	2
	59930-028	Western Star (Set Forward) Right Hand		42	22962-028	1/4" Hardened Washer	4
19	--	Leaf Spring (Included in Assembly above)	1	43	49983-000	1/4"-20 UNC Locknut	2
20	59937-001	Galvanized Liner	1	44	56935-001	1/4"-20 UNC 1 1/4" Hex Bolt	2
21a	59259-002	CST/Columbia & Constellation (Western Star) Spring Eye Bushing	1		60961-008	<b>Link Mount Service Kit</b> (Includes Key Nos. 45-47)	1
21b	**Coronado Spring Eye Bushing		1	45	59429-002	Link Mount (Replaces Part No. 59310-001)	1
	60961-002	<b>Rear Spring Mount Service Kit</b> (Includes Key Nos. 22-26)	2	46	58035-006	3/8"-16 UNC 3 1/2" Hex Bolt	1
22	58920-000	Spring End plate	1	47	22962-015	3/8" Flat Washer	1
23	58918-000	Rear Spring Mount	1		70952-	Axle Assembly (Includes Key Nos. 49-73) Contact Hendrickson Tech Services for exact part number.	1
24	30970-011	1/2"-20 UNF-2A 2.25" Hex Bolt (Replaces Part No. 24531-004)	2	48	64905-001	Axle & King Pin Assembly Coronado, 12K, 4.25 Drop, 70.9 KPI, 315/355 Ride Ht. Constellation (Western Star-Set Back) 8.5"/10.0" Ride Ht. Sterling 1200 & 1400 Radiators 315/355 Ride Ht. (Replaces Part No. 59924-001)	1
25	22962-014	1/2" Flat Washer	4		64905-002	CST/Columbia, 12K, 4.25 Drop, 69 KPI, 315/355 Ride Ht. Western Star (Set Forward) 8.5" and 10.0" Ride Ht. (Replaces Part No. 59924-002)	
26	17700-034	1/2"-20 UNF-2B Hex Nylon Locknut (Replaces Part No. 49846-000)	2				



KEY NO.	PART NO.	DESCRIPTION	NO.REQ.
	64905-004	CST/Columbia, 12K, 5.36" Drop, 69 KPI, 280/315 Ride Ht. Sterling 1200 & 1400 Radiators 280 Ride Ht. Western Star (Set Forward) 7" Ride Ht. (Replaces Part No. 59924-004)	
49		LH Backbone & Spindle Pin Assembly	1
	58900-001	250 Ackerman	
	58900-003	210 Ackerman	
	58900-005	150 Ackerman	
50		RH Backbone & Spindle Pin Assembly	1
	58900-002	250 Ackerman	
	58900-004	210 Ackerman	
	58900-006	150 Ackerman	
51		****LH Upper Steering Arm Assembly	1
	60903-031	CST/Columbia, 12K, 5.36 Drop, 69 KPI, 280 Ride Ht., Western Star (Set Forward), 7" Ride Ht. Sterling 1200 Rad., 280 Ride Ht. (Replaces Part No. 60903-001)	
	60903-032	CST/Columbia, 12K, 4.25/5.36 Drop, 69 KPI, 315 Ride Ht. Western Star (Set Forward), 8.5" Ride Ht. Sterling 1200 Rad., 315 Ride Ht. (Replaces Part No. 60903-002)	
	60903-033	CST/Columbia, 12K, 4.25 Drop, 69 KPI, 355 Ride Ht. Western Star (Set Forward), 10" Ride Ht. Sterling 1200 Rad., 355 Ride Ht. (Replaces Part No. 60903-003)	
	60903-035	Western Star (Set Back), 12K, 4.25 Drop, 70.9 KPI, 8.5" Ride Ht. Sterling 1400 Rad., 315 Ride Ht. (Replaces Part No. 60903-005)	
	60903-036	Western Star (Set Back), 12K, 4.25 Drop, 70.9 KPI, 10.0" Ride Ht. Sterling 1400 Rad., 355 Ride Ht. (Replaces Part No. 60903-006)	
	60903-038	Coronado, 12K, 4.25/5.36 Drop, 70.9 KPI, 315 Ride Ht. (Replaces Part No. 60903-008)	
	60903-039	Coronado, 12K, 4.25 Drop, 70.9 KPI, 355 Ride Ht. (Replaces Part No. 60903-009)	
52	60904-032	****RH Upper Steering Knuckle Assembly (Replaces Part No. 60903-002)	1
	60961-040	<b>King Pin Bushing Service Kit</b> Axle Set (Includes Kit Nos. 60961-009 & 60961-039)	1
	60961-009	<b>LH King Pin Composite Bearing Service Kit</b> (Includes Key Nos. 53-56, 58-60, Loctite)	1
	60961-039	<b>RH King Pin Roller Bearing Service Kit</b> (Includes Key Nos. 53-55, 57-60 & Loctite)	1
53	59156-000	Grease Cap Assembly	2
54	58937-000	Retaining Ring	2
55	58909-000	King Pin Bushing	2
	60961-043	<b>Thrust Bearing Service Kit</b> Axle Set (Includes Key Nos. 56-60 & Loctite)	
	60961-041	<b>LH Thrust Bearing-Composite Service Kit</b> , (Includes Key Nos. 56, 58-60 & Loctite)	
	60961-042	<b>RH Thrust Bearing-Roller Service Kit</b> , (Includes Key Nos. 57-60 & Loctite)	
56	59828-000	LH Thrust Bearing – Composite	1
57	64256-000	RH Thrust Bearing – Roller	1
58	58910-000	King Pin Seal	2
59	60236-001	5/8" Socket head cap screw	2
60	60259-002	King Pin Shim	1
Not Shown	60937-000	Loctite® (Red) Compound Tube	1

KEY NO.	PART NO.	DESCRIPTION	NO.REQ.
61		Tie Rod Assembly	1
	64801-001	12K, 4.25 Drop, 70.9 KPI, 216/254/315 Ride Ht., 150 Ackerman, (Replaces Part No. 64006-001)	
	64801-002	12K, 4.25 Drop, 70.9 KPI, 216/254/315 Ride HT., 200 Ackerman, (Replaces Part No. 64006-002)	
	64801-003	12K, 4.25 Drop, 70.9 KPI, 216/254/315 Ride Ht. 250 Ackerman, (Replaces Part No. 64006-003)	
	64801-004	12K, 4.25 Drop, 69 KPI, 315/355 Ride HT., 150 Ackerman, (Replaces Part No. 60239-004)	
	64801-005	12K, 4.25 Drop, 69 KPI, 315/355 Ride HT., 200 Ackerman, (Replaces Part No. 60239-005)	
	64801-006	12K, 4.25 Drop, 69 KPI, 315/355 Ride HT., 250 Ackerman, (Replaces Part No. 60239-006)	
	59948-001	12K, 5.36 Drop, 70.9 KPI, 280/315 Ride HT., 150 Ackerman	
	59948-002	12K, 5.36 Drop, 70.9 KPI, 280/315 Ride HT., 200 Ackerman	
	59948-003	12K, 5.36 Drop, 70.9 KPI, 280/315 Ride HT., 250 Ackerman	
	59948-004	12K, 5.36 Drop, 69 KPI, 280/315 Ride HT., 150 Ackerman	
	59948-005	12K, 5.36 Drop, 69 KPI, 280/315 Ride HT., 200 Ackerman	
	59948-006	12K, 5.36 Drop, 69 KPI, 280/315 Ride HT., 250 Ackerman	
62	--	3/4" Castle Nut (Included in Assembly Above)	2
		**** <b>Tie Rod End Service Kit</b> Axle Set (Includes Key Nos. 63-66)	1
	60961-081	69 KPI, 4.25 Drop	
	60961-082	70.9 KPI, 4.25 Drop	
	60961-012	69 & 70.9 KPI, 5.36 Drop	
		**** <b>LH Tie Rod End Service Kit</b> (Includes Key Nos. 63, 65-66)	1
	60961-083	69 KPI, 12K-12.5K, 4.25 Drop	
	60961-085	70.9 KPI, 14.6K, 4.25 Drop	
	60961-029	70.9 KPI, 12K-12.5K, 5.36 Drop	
		**** <b>RH Tie Rod End Service Kit</b> (Includes Key Nos. 64-66)	1
	60961-084	69 KPI, 12K-12.5K, 4.25 Drop	
	60961-086	70.9 KPI, 14.6K, 4.25 Drop	
	60961-030	70.9 KPI, 12K-12.5K, 5.36 Drop	
63		****LH Tie Rod End	1
	65033-001	69 KPI, 4.25 Drop, (Replaces Part No. 64000-001)	
	65034-001	70.9 KPI 4.25 Drop, (Replaces Part No. 64002-001)	
	64004-001	69 & 70.9 KPI, 5.36 Drop	
64		****RH Tie Rod End	1
	65033-002	69 KPI, 4.25 Drop, (Replaces Part No. 64000-002)	
	65034-002	70.9 KPI 4.25 Drop, (Replaces Part No. 64002-002)	
	64004-002	69 & 70.9 KPI, 5.36 Drop	
65	22962-007	7/8" Flat Washer	2
66	17800-004	Tie Rod Nut Cotter Pin	2
67	60238-001	1/2"-13 UNC Square Head Bolt	2
68	60240-000	1/2"-13 UNC Hex Jam Nut	2



KEY NO.	PART NO.	DESCRIPTION	NO.REQ.
69		Top Wrap	2
	59952-001	CST/Columbia, 69 KPI, 4.25 Drop, 315 Ride Ht., 5.36 Drop, 280 Ride Ht. Coronado, 70.9 KPI, 5.36 Drop, 280/315 Ride Ht. Sterling, 70.9 KPI, 4.25 Drop, 315 Ride Ht. Sterling, 69 KPI, 5.36 Drop, 280 Ride Ht.	
	59952-002	CST/Columbia, 69 KPI, 4.25 Drop, 355 Ride Ht.; 5.36 Drop 315 Ride Ht.; Coronado, 70.9 KPI, 4.25 Drop, 355 Ride Ht.; 5.36 Drop, 315 Ride Ht.; Sterling 70.9 KPI, 4.25 Drop, 355 Ride Ht.	
	59952-007	Western Star (Set Back), 70.9 KPI 4.25 Drop, 8.5", 10.0" Ride Height Western Star (Set Forward), 69 KPI, 4.25 Drop, 10.0" Ride Ht.	
	59952-016	Western Star (Set Forward), 69 KPI, 4.25 Drop 8.5" Ride Ht. 5.36 Drop 7.0" Ride Ht.	
70	64722-001	Bottom Wrap (Replaces Part No. 59440-001)	2
		<b>Top/Bottom Axle Wrap Liner Service Kit,</b> (Includes Key Nos. 71-75)	2
	60961-013	CST/Columbia 280/315 Ride Ht.	
	60961-014	CST/Columbia 355 Ride Ht., & (Western Star) 8.5" Ride Ht.	
	60961-019	Constellation (Western Star) 10.0" Ride Ht.	
71	59449-000	Top Axle Wrap Liner	1
72	59845-000	Bottom Axle Wrap Liner	1
73	22962-001	3/4" Flat Washer	4
74	17700-033	3/4"-10 UNC-2B Nylon Locknut	4
75		3/4"-10 UNC Hex bolt	4
	58917-016	CST/Columbia 8 1/2" Length	
	58917-017	Western Star Ride Ht. 8.5, Bolt Length 10.0"	
	58917-018	Western Star Ride Ht. 10.0", Bolt Length 11.5"	
76	59826-000	Top Pad	2
77		Dowel Pin, 1/2" Diameter	2
	57159-004	CST/Columbia, Coronado, Sterling, 280/315 Ride Ht.	
	57159-005	CST/Columbia, Coronado, Sterling, 355 and 315 Ride Ht. w/5.36 Drop, Western Star (Set Back & Set Forward) 8.5" Ride Ht. w/ 4.25 Drop, Western Star (Set Back & Set Forward) 10.0" Ride Ht. w/4.25 Drop	
	57159-012	Western Star (Set Forward) 7.0" Ride Ht. W/5.36 Drop	
78		LH Front Axle Spacer	1
	60244-010	280/315 Ride Ht.	
	60244-030	280/315 Ride Ht.	
	60244-045	CST/Columbia/Sterling 355 Ride Ht., w/4.25 Drop, 315 Ride Ht. w/5.36 Drop, Western Star (Set Back & Set Forward) 8.5" Ride Ht. w/4.25 Drop	
	60244-080	Western Star (Set Back & Set Forward) 10.0" Ride Ht. w/4.25 Drop	
79		RH Front Axle Spacer	1
	60244-020	Western Star (Set Forward) 7.0" Ride Ht. w/5.36 Drop	
	60244-035	CST/Columbia/Sterling 355 Ride Ht. w/4.25 Drop, 315 Ride Ht. w/5.36 Drop Western Star (Set Back & Set Forward) 8.5" Ride Ht. w/4.25 Drop	
	60244-070	Western Star (Set Back & Set Forward) 10.0" Ride Ht. w/4.25 Drop	

KEY NO.	PART NO.	DESCRIPTION	NO.REQ.
---------	----------	-------------	---------

**NOTE:**

- \* Not supplied by Hendrickson, used for reference only. Refer to OEM (vehicle manufacturer for more information)
- \*\* Item included in assembly only, part not sold separately.
- \*\*\* Quantities of Service Kit components may vary from amount shown in lists.
- \*\*\*\* All new replacement STEERTEK axles and upper steering knuckle components for Freightliner, Sterling and Western Star Vehicles will incorporate 5/8" fine threaded holes for brake spider mounting bolts. Vehicles built prior to 6/28/2004 that are receiving a replacement of the STEERTEK axle or upper knuckle will require — a change from coarse thread brake spider mounting bolts to fine thread brake spider mounting bolts. The brake spider mounting bolts are supplied separately by Freightliner, Sterling and Western Star, refer to vehicle manufacturer for bolt dimensions and torque specifications. Hendrickson will not be responsible for any damage to the STEERTEK upper knuckle components resulting from using the improper brake spider mounting bolts.
- \*\*\*\*\* Hendrickson supplies different tie rod configurations. Prior to ordering find the part number on the tie rod end. Contact Hendrickson Sales Engineering for corresponding part numbers.

**SERVICE KITS QUICK REFERENCE**

60961-001	Shock Absorber Service Kit
60961-002	Rear Spring Mount Service Kit
60961-003	Rear Spring Hardware Service Kit
60961-004	CST/Columbia LH Front Hanger Service Kit
60961-005	CST/Columbia 1350 LH Front Hanger Service Kit
60961-006	CST/Columbia RH Front Hanger Service Kit
60961-007	CST/Columbia 1350 RH Front Hanger Service Kit
60961-008	Link Mount Service Kit
60961-009	LH King Pin Composite Bearing Service Kit
60961-013	Top/Bottom Axle Wrap Liner Service Kit 280/315 MM Ride Ht.
60961-014	Top/Bottom Axle Wrap Liner Service Kit 355 MM Ride Ht.
60961-016	Rear Hanger Clamp Service Kit
60961-017	Western Star LH Front Hanger Service Kit
60961-018	Western Star RH Front Hanger Service Kit
60961-019	Western Star Top/Bottom Axle Wrap Liner Service Kit
60961-039	RH King Pin Roller Bearing Service Kit
60961-040	King Pin Bushing Service Kit Axle Set
60961-041	LH Thrust Bearing—Composite Service Kit
60961-042	RH Thrust Bearing—Roller Service Kit
60961-043	Thrust Bearing Service Kit Axle Set Tie Rod End Service Kit Axle Set
60961-081	69 KPI, 12K-12.5K, 4.25 Drop
60961-082	70.9 KPI, 14.6K, 4.25 Drop
60961-012	70.9 KPI, 12K-12.5K, 5.36 Drop ***LH Tie Rod End Service Kit
60961-083	69 KPI, 12K-12.5K, 4.25 Drop
60961-085	70.9 KPI, 14.6K, 4.25 Drop
60961-029	70.9 KPI, 12K-12.5K, 5.36 Drop ***RH Tie Rod End Service Kit
60961-084	69 KPI, 12K-12.5K, 4.25 Drop
60961-086	70.9 KPI, 14.6K, 4.25 Drop
60961-030	70.9 KPI, 12K-12.5K, 5.36 Drop

**HENDRICKSON AIRTEK RIDE HEIGHT GAUGE FOR FREIGHTLINER VEHICLES**

Lit No. 45745-159 can be obtained by calling Hendrickson Fulfillment at 800.973.0360 or Tech Services at 630.910.2800.

This is a general parts list to provide directional information. Components may vary by mode. For questions, contact Hendrickson Tech Services at 630-910-2800 (email [techservices@hendrickson-intl.com](mailto:techservices@hendrickson-intl.com)).

---

[www.hendrickson-intl.com](http://www.hendrickson-intl.com)



Truck Suspension Systems  
800 South Frontage Road  
Woodridge, IL 60517-4904 USA

630.910.2800  
Fax 630.910.2899