

H TECHNICAL PROCEDURE

TRAILER SUSPENSION SYSTEMS HXL7® WHEEL-END SYSTEM

SUBJECT: Hub Maintenance Procedures

LIT NO: T72002

DATE: November 2023

REVISION: F

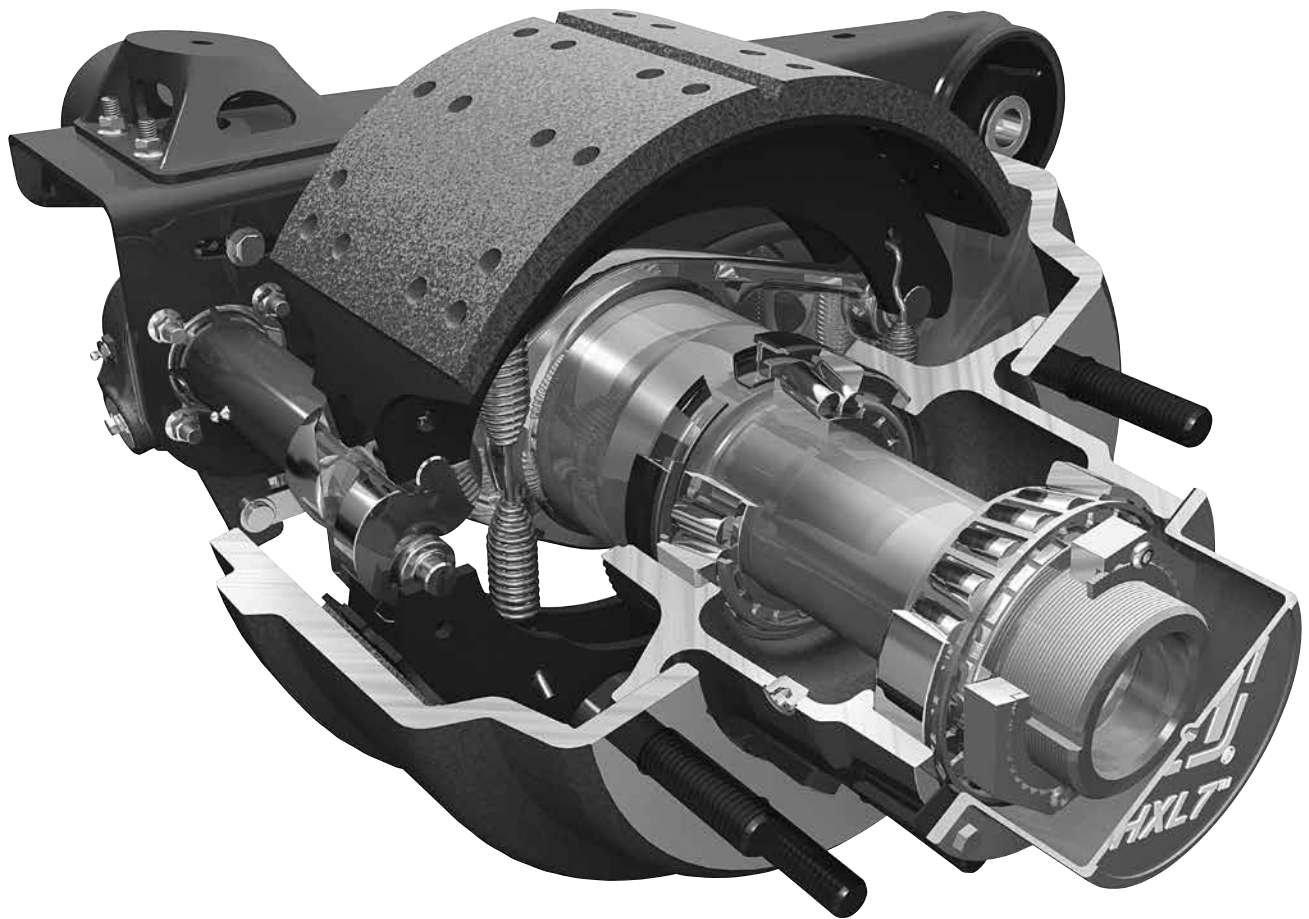




TABLE OF CONTENTS

Important Safety Notices **3**

Conventions Applied in This Document **3**

 Explanation of Signal Words 3

 Hyperlinks 3

 Contacting Hendrickson..... 3

 Relative Literature 4

 Preparing Trailer for Maintenance Service 4

Introduction..... **5**

 ADB Hub and Rotor..... 5

 Tools Required 6

 Inspection..... 6

 Checking for Seal Leaks..... 6

 Checking for Smooth Rotation 7

 Checking BEARING End Play 7

Removing and Installing Hub **9**

 Hub Removal 9

 Spindle Preparation..... 10

 Bearing Cup Inspection 10

 Preparing Hub for Re-Installation..... 10

 Installing PRECISION320® nut system & WHEEL BEARING ADJUSTMENT..... 13

Inspecting Hub Installation **14**

 Install Hubcap..... 15

 Completing Installation..... 15

Additional Information **15**

 Hub SEMI FLUID Grease Dam 15

 Torque Values..... 15

 Wheel Stud Removal and Installation Procedure..... 15

LIST OF TABLES

Relative wheel-end literature 4

List of required tools 6

HXL7® Wheel-end fastener torque values 15



IMPORTANT SAFETY NOTICES

Hendrickson literature number **T12007** *Technical Procedure General Safety Precautions and Information*, available at www.Hendrickson-intl.com/TrailerLit, includes important preparation, precautionary and safety information pertaining to the procedures included in this document.

To help prevent personal injury and equipment damage; warnings, cautions and other relative statements included in Hendrickson literature number **T12007** are to be read carefully and applied during the performance of the procedures included in this document.

Improper maintenance, service or repair can cause damage to the vehicle and other property, personal injury, unsafe operating conditions and potentially void the manufacturer's warranty.

CONVENTIONS APPLIED IN THIS DOCUMENT

Various techniques are used in this document to convey important information, express safety issues, provide methods for **CONTACTING HENDRICKSON** and how to identify and apply **HYPERLINKS**.

EXPLANATION OF SIGNAL WORDS

Hazard signal words (such as DANGER, WARNING or CAUTION) appear in various locations throughout this publication. Information accented by one of these signal words must be observed at all times. Additional notes are utilized to emphasize areas of procedural importance and provide suggestions for ease of repair. The following definitions comply with **ANSI Z535.6** and indicate the use of safety signal words as they appear throughout the publication.

▲DANGER Indicates a hazardous situation that, if not avoided, will result in death or serious injury.

▲WARNING Indicates a hazardous situation that, if not avoided, could result in death or serious injury.

▲CAUTION Indicates a hazardous situation that, if not avoided, could result in minor or moderate injury.

NOTICE Indicates information considered important, but not hazard-related (e.g. messages relating to property damage).

IMPORTANT: An operating procedure, practice or condition that is essential to emphasize.

▲ Or ▲ **Safety Alert Symbol** used to indicate a condition exists that, if not avoided, may result in personal injury or harm to individuals. It must be applied to DANGER, WARNING and CAUTION statements, which emphasize severity.

HYPERLINKS

Hyperlinks are identified by a dark grey line under the linked text. Internal links allow the reader to jump to a heading, step or page in this document. External links open the website or document referenced. While viewing electronically, activate the hyperlink by clicking on the underlined text.

CONTACTING HENDRICKSON

Contact Hendrickson Trailer Technical Services for technical assistance as needed. To do so, several options are available. Technical Services must be contacted before performing any warranty related service.

NOTE: DO NOT service a suspension or any component that is under warranty without first contacting Hendrickson Technical Services.

Prior to contacting Technical Services, it is best to have the following information about the vehicle and Hendrickson suspension available (all that apply):

- **Hendrickson suspension** information, (refer to [L977 Suspension and Axle Identification](#)) –
 - Suspension model number
 - Suspension serial number
 - Approximate number of suspension miles
- **Trailer information** (located on VIN plate) -
 - Type (van, reefer, flat bed, etc...)
 - Manufacturer
 - VIN (vehicle identification number)
 - In-service date¹
 - Fleet/owner name
 - Unit #

¹ If the in-service date is unknown or not available, the vehicle date of manufacture will be substituted.



- **Failure information**
 - Description of the system problem, the part number and/or the part description of the reported non-functioning part.
 - **Date of failure.**
 - Where applicable, **location of problem** on suspension / trailer (e.g., road side, front axle, rear axle, curb side rear, etc.).
- **Digital photos** of suspension and damaged areas.
- **Special application** approval documentation (if applicable).

PHONE

Contact **Hendrickson Trailer Technical Services** directly in the United States and Canada+ at **866-RIDEAIR (743-3247)**. From the menu, select:

- **Technical Services/Warranty** for technical information.
- Other selections include:
 - **Aftermarket Sales** for replacement parts information and ordering.
 - **Original Equipment Sales** for parts inquiries and ordering for trailer manufacturers.

EMAIL

HTTS@Hendrickson-intl.com

Contact Hendrickson for additional details regarding specifications, applications, capacities, and operation, service and maintenance instructions.

All applications must comply with applicable Hendrickson specifications and must be approved by the respective vehicle manufacturer with the vehicle in its original, as-built configuration.

RELATIVE LITERATURE

If you suspect your version of this or any other Hendrickson manual is not “up-to-date”, the most current version is free online at:

www.Hendrickson-intl.com/TrailerLit

Available Hendrickson documentation can be viewed or downloaded from this site.

All Hendrickson online documentation is in PDF format that requires PDF reader software to open. A free application is downloadable from Adobe at <http://get.adobe.com/reader/>.

Other relative literature may include:

NAME	DESCRIPTION
L578	<i>Preventive Maintenance Guide</i>
L583	<i>Comprehensive Warranty Statement</i>
L846	<i>Wide Base (Super Single) Tire Configurations</i>
L974	<i>Drum Brake Maintenance Procedures, heading “RETRACTING THE BRAKE SHOES OR SLACK ADJUSTER CONTROL ARM(S)”</i>
T71004	<i>Hub and Rotor Assembly and Caliper Mounting Procedures</i>
T70002	<i>Trailer Decal: HXL7® Wheel-End ID</i>
L1142	<i>Hubcap Decal: HXL7® Wheel-End ID</i>
T71005	<i>Poster: PRECISION Nut Installation Procedures</i>
T72009	<i>MAXX22T ADB Installation and Maintenance Procedures</i>
T72013	<i>Approved Lubricants</i>
T77001	<i>PRECISION320® Nut Compatibility</i>
T82006	<i>Stud Replacement Procedure</i>

Table 1: Relative wheel-end literature

Hendrickson reserves the right to make changes and improvements to its products and publications at any time. Consult the Hendrickson website

www.Hendrickson-intl.com/TrailerLit

for the latest version of this manual.

PREPARING TRAILER FOR MAINTENANCE SERVICE

Information for trailer preparation, safety and precautionary statements, refer to Hendrickson literature number [T12007](#), available at www.Hendrickson-intl.com/TrailerLit.

NOTE: DO NOT service a suspension or any components that is under warranty without first contacting Hendrickson Technical Services. Refer to [CONTACTING HENDRICKSON](#) for details.

⚠ WARNING DO NOT work under a trailer supported only by jacks. Jacks can slip or fall over, resulting in serious personal injury. Always use safety stands to support a raised trailer.

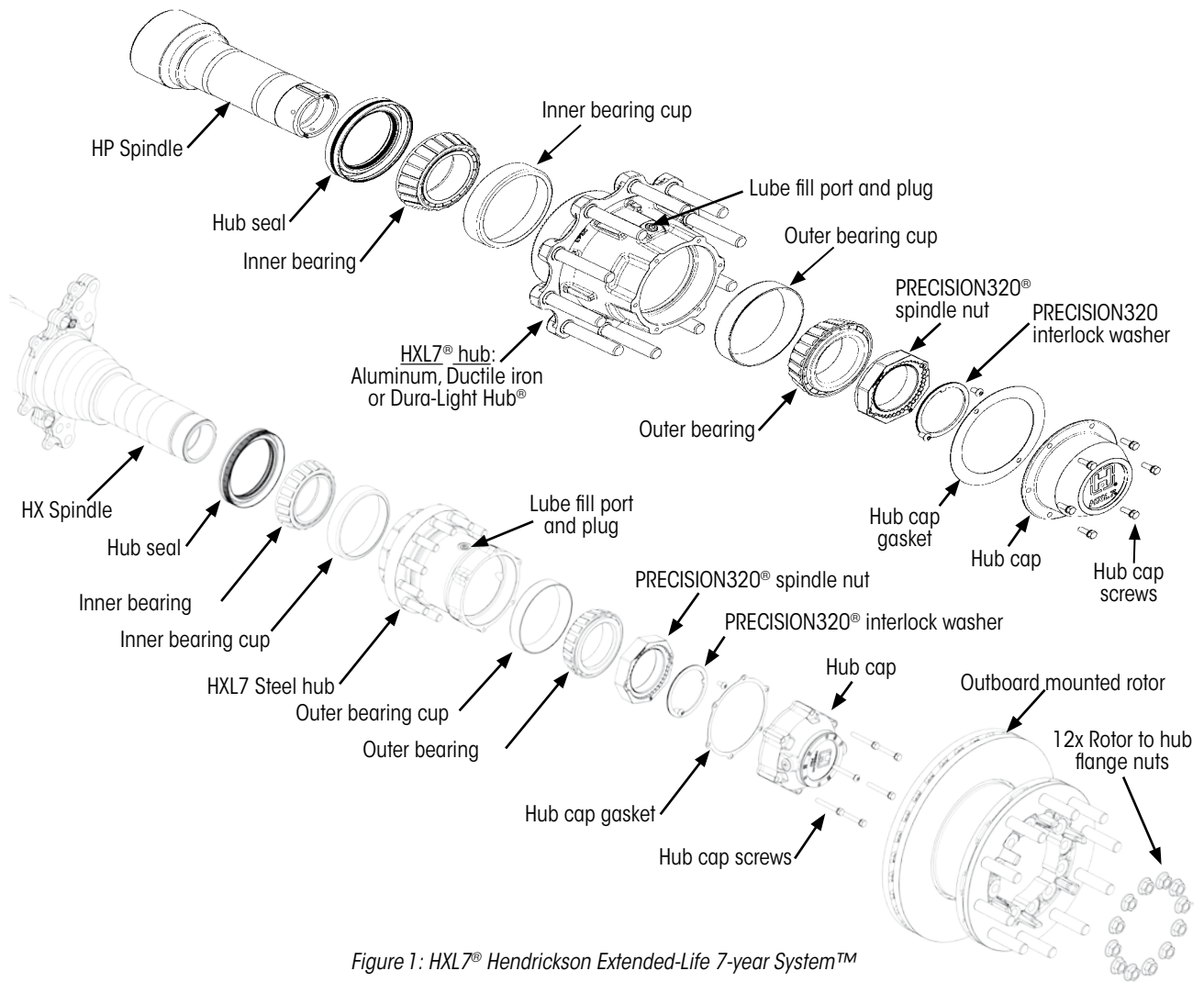


Figure 1: HXL7® Hendrickson Extended-Life 7-year System™

INTRODUCTION

The HXL7® Hendrickson Extended-Life 7-year System™ hub assembly (Front Cover) comes pre-assembled, adjusted and lubricated on a Hendrickson dressed axle. Because Hendrickson controls the assembly, internal cleanliness, bearing adjustment and seal installation in our facilities, we can offer premium performance and an extended-service warranty on this hub assembly.

The field serviceable HXL7® wheel-end features Hendrickson authorized components:

- Steel, Ductile iron, aluminum or Dura-Light Hub® and premium seal.
- Synthetic semi-fluid grease (DELO® SYN-GREASE™SFE EP 0 or approved semi-fluid per T72013 Approved Lubricants).
- HP or HX (parallel) spindle with Hendrickson's PRECISION320® Nut System.

DO NOT remove the hubcap or attempt any kind of field service without first CONTACTING HENDRICKSON Trailer Technical Services. **Wheel-end repairs performed**

prior to contacting Hendrickson Technical Services voids the warranty. Refer to L583 for details.

NOTE: Hendrickson recommends HP or HX spindle type for offset super single tire applications. Refer to Hendrickson literature number L846 *Wide Base Tire Configurations* for more details. The HN spindle design is not approved for use with any single offset wheel.

ADB HUB AND ROTOR

For air disc brake (ADB) systems, the caliper must be removed before removing the hub and rotor assembly. ADB rotor and caliper mounting is defined in Hendrickson literature number T71004 *Hub and Rotor Assembly and Caliper Mounting Procedures*. Original mounting hardware must be discarded, once removed, and replaced with new hardware during reassembly.

Procedures for service and repair of Hendrickson's MAXX22T® ADB can be found in Hendrickson literature number T72009. For component replacement and repair of ADB systems and rotors manufactured by other

vendors, links to Bendix, ConMet, Haldex and Wabco literature is available at

www.hendrickson-intl.com/TrailerLit

TOOLS REQUIRED

The following tools may be required during the performance of some maintenance procedures:

TOOL ¹	WHERE USED
Torque Wrench (10 - 200 ft-lb or 13 - 271 Nm)	To be used with sockets listed in this table.
4 ⁷ / ₈ inch socket	INSTALLING PRECISION320® NUT SYSTEM & WHEEL BEARING ADJUSTMENT on page 13
3 ³ / ₁₆ inch hex key	
1 ¹ / ₂ inch socket	INSTALL HUBCAP on page 14
1 ¹ / ₄ or 5 ⁵ / ₁₆ inch hex key	Lube fill port plug (Figure 1)
Dial Indicator, with mounting stand (resolution to 0.0001", 0.002 mm)	End-play measurement (Figure 6 on page 8)
HUB SEMI FLUID GREASE DAM TEMPLATE on page 16	HUB AND OUTER BEARING ASSEMBLY on page 11

Table 2: List of required tools

IMPORTANT: Torque (Table 3 on page 15) cannot be properly applied with an ordinary wrench. A calibrated torque wrench must be used to tighten fasteners to specified values.

INSPECTION

At regular intervals, the HXL7® hub assembly should be checked for seal leaks and smooth rotation.

⚠WARNING Prior to performing inspection procedures, help ensure conditions are safe by following section PREPARING TRAILER FOR MAINTENANCE SERVICE.

NOTE: Recommended inspection intervals are based on an average trailer usage of 100,000 miles (160,000 km) per year. Higher usage would require more frequent inspections. Conversely, lower usage would require less inspection. Refer to Hendrickson literature number L578 Inspection and Lubrication for more details.

Inspections should be performed:

- **Daily** pre-operation check. This would include a general walk around to check for signs of obvious damage, wear or other abnormalities.

- **Every month**, visually inspect back of the hub and the hubcap for leakage. Refer to the section titled CHECKING FOR SEAL LEAKS for complete inspection details.
- **Every three to four months:**
 - Perform monthly inspection.
 - Check for smooth rotation.
 - » Refer to the section titled CHECKING FOR SMOOTH ROTATION for details.
 - » If assistance is required or the hub feels rough, sounds noisy or does not rotate freely, refer to CONTACTING HENDRICKSON Technical Services department for further assistance.
- **During brake service** - at this time, wheels are removed making it easy to perform quarterly inspections.

Refer to Hendrickson literature number L578 for more details on more recommended suspension inspection procedures.

CHECKING FOR SEAL LEAKS

The HXL7® hub assembly is filled with DELO® SYN-GREASE™ SFE EP 0 or approved semi-fluid grease at the factory during the manufacturing process. The grease is contained in the hub by the hub seal where leakage can occur.

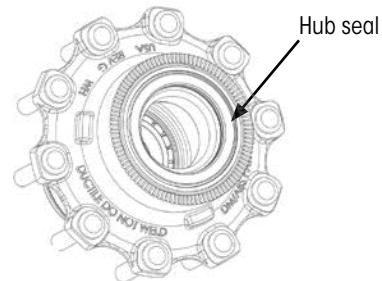


Figure 2: Inboard side of hub

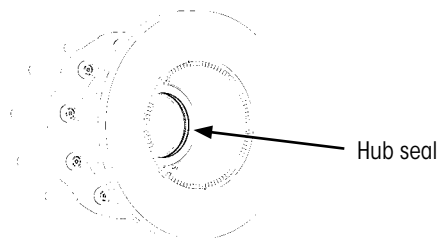


Figure 3: Inboard side of rotor

To check for leaks, look at the inboard side of the hub, Figure 2 and inboard side of the rotor Figure 3. A small amount of grease may be visible at the hub seal. **This is a normal occurrence and does not necessarily indicate a seal leak.** Wipe clean.

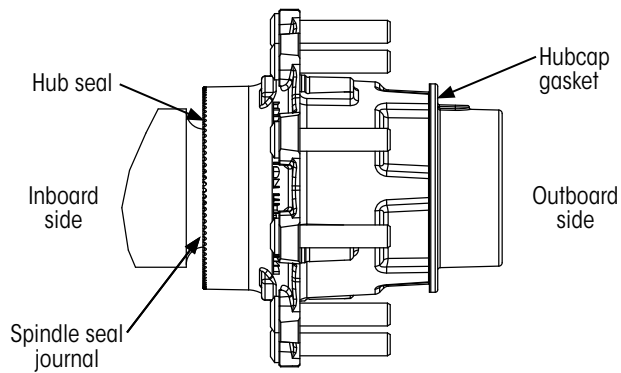


Figure 4: Areas where leaks may occur

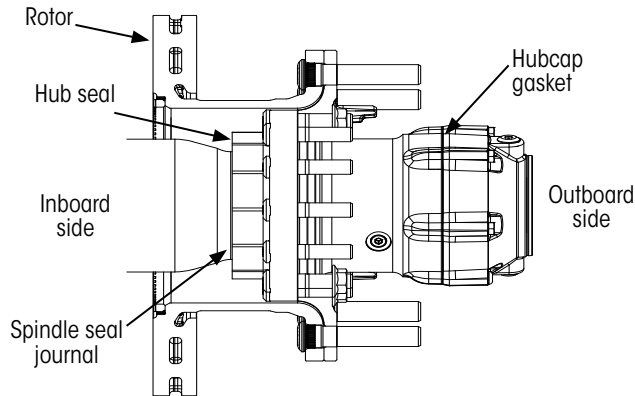


Figure 5: Areas where leaks may occur - Outboard Mounted Rotor

A small amount of grease may also appear at the spindle bearing shoulder to hub joint and hubcap gasket (Figure 4 & 5). **This is also normal and does not necessarily indicate a leak.** It should be wiped clean to minimize any accumulation of dirt.

NOTICE Pressure or steam washing should be avoided in this area as water could be forced past the seal and degrade lubricant performance and corrode bearings.

If the hub seal or gasket is leaking, a large quantity of grease will be present in the areas of the hub, spindle hubcap and wheel. If found, refer to [CONTACTING HENDRICKSON Technical Services](#) for guidance on how to proceed.

CHECKING FOR SMOOTH ROTATION

Many factors can effect smoothness of rotation. Primary causes include:

- Bearing wear
- Damaged hub seal
- Debris

NOTE: A reasonable assessment can be performed without removing tires and rims. However, this procedure is best performed with hub only as shown in Figure 7 on page 8.

1. **Ensure** trailer is secure per [PREPARING TRAILER FOR MAINTENANCE SERVICE](#) on page 4.
2. **Disengage** brakes (recommended).
3. While maintaining physical contact, **slowly rotate** hub in both directions at least five revolutions.
4. **During rotation**, ensure smooth and quiet rotation. The bearings should move smoothly. Feel for any resistance in movement. Any debris in bearings should be felt as it moves over rollers in bearings.

IMPORTANT: If bearings feel rough, sound noisy or **DO NOT** rotate freely, **DO NOT** place the suspension back into service. Refer to [CONTACTING HENDRICKSON Technical Services](#) for guidance.

CHECKING BEARING END PLAY

This procedure should be performed:

- After [CONTACTING HENDRICKSON Technical Services](#), before removing the hubcap (as stated on hubcap label), for guidance relative to suspected wheel end play movement.
- As part of [INSPECTING HUB INSTALLATION](#) on page 14.

1. If not already done so:
 - A. **Ensure** trailer is secure per [PREPARING TRAILER FOR MAINTENANCE SERVICE](#) on page 4.
 - B. **Remove** wheel (tires and rims).
 - C. **Disengage** brakes.
 - D. If drum brake, **remove** drum (recommended). If ADB, **remove** brake pads per manufacturer's recommended procedures.
 - E. **Remove** hubcap and discard gasket.

IMPORTANT: End play can be checked with brake drum installed or removed (preferred). If installed, **ensure all brake drum wheel fasteners are installed and tightened to manufacturers specifications** before checking end play.

2. **Ensure** hub hubcap mounting surface and end of spindle are **clean and totally free of any burrs or debris**.

3. Rotate hub at least 5 revolutions to ensure bearings are fully seated.

NOTE: The hub MUST be rotated before performing end play measurement. Rotation works the rollers into their fully seated positions against the bearing cone shoulder. **Failure to rotate hub could result in a false end play reading.**

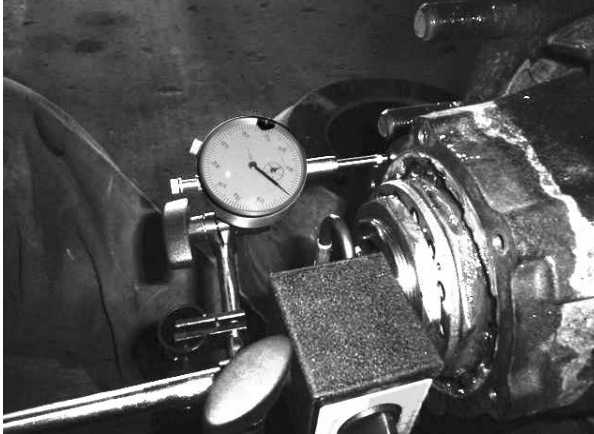


Figure 6: Checking end play

4. Attach dial indicator (Table 2 on page 6) with magnetic base to flat surface at end of spindle (Figure 6).
5. Adjust dial indicator so its pointer line of action is parallel to spindle axis and touches hub's hubcap mounting surface. Ensure the plunger contacts the hub on a surface that is smooth and fully machined. Any regions with scratches, gouges or non-cleanup should be avoided.
6. Check indicator for free movement in both directions. Lightly push and pull on indicator arm to verify plunger is free to move at least .005" in each direction. If indicator bottoms out, readjust until it is free to move .005" in both directions.
7. Zero indicator.

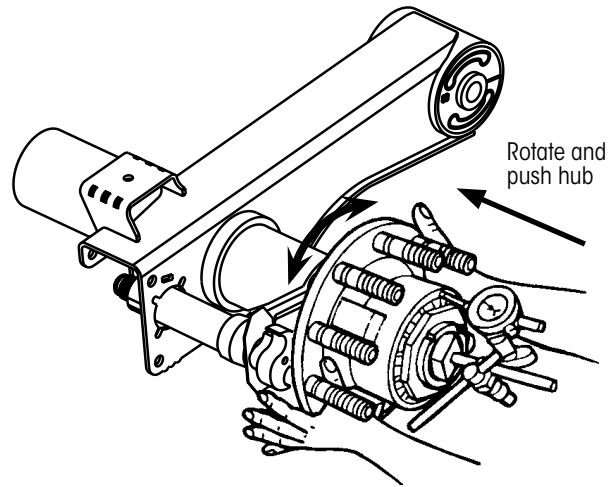


Figure 7: Checking inward end-play

8. Grasp hub flange, as shown in Figure 7, and push the hub inward while rotating hub slightly in both directions (between two hub cap fastener holes) until the dial indicator reading remains constant. Record reading.

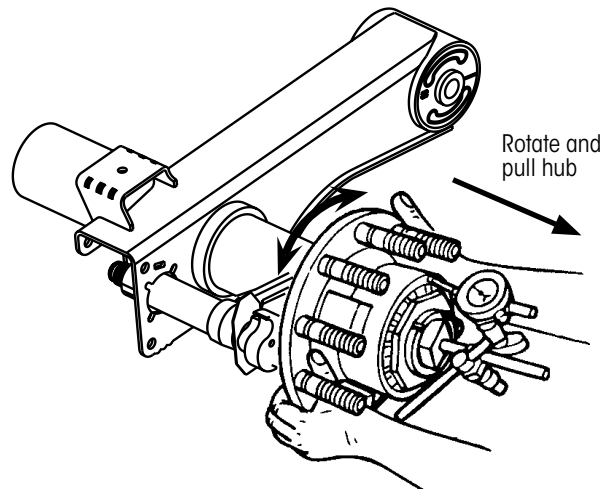


Figure 8: Checking outward end-play

9. While still grasping hub (Figure 8) pull hub outward while rotating hub slightly in both directions (between two hub cap fastener holes) until dial indicator reading remains constant. Record reading.
10. End play is the total movement of the indicator. Calculate difference between recorded values of Step 8 and Step 9 to determine end play, record value.



IMPORTANT: End play must be between 0.001" (0.0254 mm) and 0.005" (0.0127 mm). If subsequent readings are necessary, the hub must be rotated at least 5 revolutions to reset the bearings (refer to Step 3 on page 8).

- A. If checking end play after installation, return to INSPECTING HUB INSTALLATION on page 14, Step 3.
- B. If end play is **more than 0.005"** (0.0127 mm), bearing adjustment is necessary. Refer to INSTALLING PRECISION320® NUT SYSTEM & WHEEL BEARING ADJUSTMENT on page 13.

IMPORTANT: **DO NOT** place the suspension back into service without correcting the problem.

- C. If end play is **within specification**, no bearing adjustment is necessary. Refer to Figure 15 on page 13 and check to ensure:
 - i. Spindle nut is secure.
 - ii. Interlock washer and tang are properly seated.
 - iii. Retaining screws are securely in place.

- 11. If not already done so, perform CHECKING FOR SEAL LEAKS on page 6.
- 12. Go to INSTALL HUBCAP on page 15.
- 13. If applicable, reassemble brake wheel-end components.

REMOVING AND INSTALLING HUB

⚠WARNING DO NOT MIX LUBRICANTS
When not using the same lubricant it is the responsibility of the end user to ensure that all grease is completely removed and components are thoroughly cleaned before adding new grease.

IMPORTANT: To ensure continued warranty, **DO NOT** perform the following procedures without obtaining prior authorization from Hendrickson Trailer Technical Services. Refer to CONTACTING HENDRICKSON for contact information.

NOTE: In order to maintain warranty status, CONTACTING HENDRICKSON is recommended before removing the hubcap and disturbing the precision spindle nut.

⚠WARNING Prior to performing maintenance procedures, help ensure conditions are safe by following section PREPARING TRAILER FOR MAINTENANCE SERVICE on page 4.

HUB REMOVAL

Only after receiving proper authorization from Hendrickson Technical Services, use the following procedure to remove the HXL7® hub assembly:

1. **Remove** tire / wheel assembly.
2. **Disengage** brakes and:
 - If drum brake, **remove** brake drum.
 - If ADB equipped, **remove** the caliper.
3. **Remove** hubcap screws and **remove** hubcap, discard gasket.
4. Using a hex key (TOOLS REQUIRED on page 6), **remove** button-head cap screws from interlock washer Figure 9.
5. **Remove** interlock washer and precision spindle nut (Figure 9).

NOTE: Pushing on edge of interlock washer near one of the screw holes will cause the opposite edge to tip away from the nut, allowing easy removal of interlock washer.

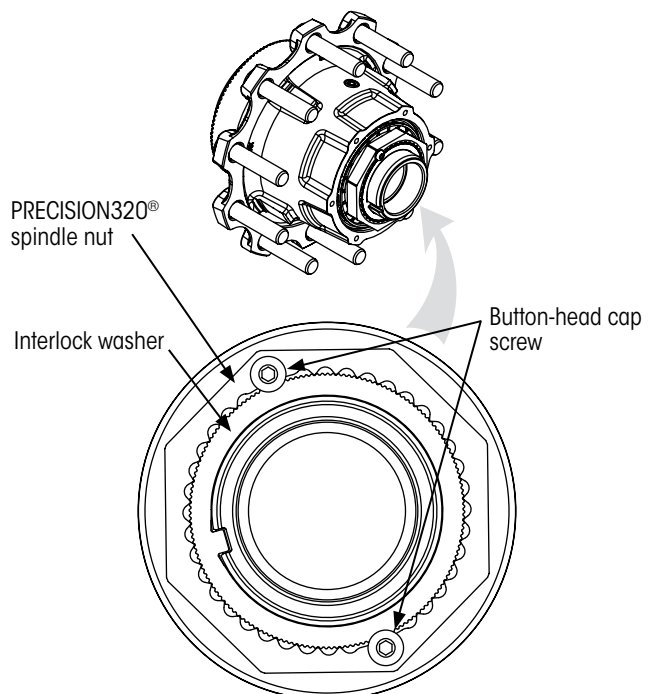


Figure 9: Button-head cap screw on PRECISION320® nut system



6. **Carefully pull HXL7® hub assembly slightly** toward spindle end. A short quick motion should allow outer bearing to exit the hub. Be prepared to catch outer bearing if it slides off the end of the spindle. Otherwise, simply remove it.
7. **Remove hub from spindle.** The inner bearing is held in the hub by the hub seal and should come off with the hub.

NOTICE Do not strike hub with an item that could damage the seal bore.

8. **Remove and discard hub seal:**
 - A. **If the seal is in the hub** - a pry bar can be used to carefully remove the seal from the hub bore. Damage to hub and hub surfaces must be avoided.
 - B. **If the seal is on the spindle** - Using a brass, leather or other soft-faced mallet, drive the seal off the spindle by carefully striking the seal from the back side.

NOTICE Any damage to the spindle's machined surfaces can affect wheel end performance.

9. **Remove, clean and inspect** inner bearing. Replace if needed.

SPINDLE PREPARATION

Before installing or re-installing the hub, follow this procedure to ensure hub and spindle machined surfaces are clean and undamaged.

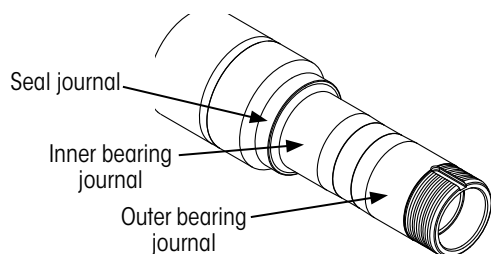


Figure 10: HP or HX Spindle seal & bearing journals

1. **Remove** old lubricant and thoroughly clean spindle.
2. **Inspect** machined spindle journals (Figure 10) for nicks, scratches, burrs or marks. If needed, use crocus cloth or emery cloth to repair any damaged areas.

3. **Clean** spindle threads and keyway thoroughly with a wire brush to avoid false bearing adjustments and to avoid introduction of contaminants into the lubricant cavity.
4. **Thoroughly clean** spindle machined surfaces of rust, dirt, grease or any other contaminants that could damage the hub seal and cause it to leak.
5. **Lubricate** spindle bearing surfaces with clean DELO® SYN-GREASE™ SFE EP 0 or approved semi-fluid grease.

NOTICE To minimize fretting and damage to wheel-end, lubricate all components and applicable surfaces using the same lubricant.

BEARING CUP INSPECTION

Inspect the hub for spun bearing cups.

NOTE: If the bearings are being replaced it is recommended that the cup/cone be replaced as a matched set.

1. Check to see if the cups can be removed or rotated by hand inside the hub.
 - A. If bearing cups can be moved by hand, replace hub.

BEARING CUP REMOVAL

1. Use a press or a mild steel bar with hammer being careful not to damage the hub cup bore or shoulder.
 - A. Inspect and **remove** all sharp edges, nicks and burrs from seal bore, bearing cup bore, hubcap bore and hubcap mounting surface of the hub.
 - i. If hub cup bores are scored or damaged, replace hub.

BEARING CUP INSTALLATION

1. Using the proper bearing cup driver, press bearing cup into the hub.
2. Use a .002 feeler gauge between the cup face and the cup bore shoulder to ensure the cup is fully seated.

NOTE: Aluminum hubs require special procedures refer to hub OEM procedures.

PREPARING HUB FOR RE-INSTALLATION



The hub and bearings should be cleaned and inspected prior to installation.

CAUTION For safety reasons, to prevent injury and damage to the hub and spindle, lifting equipment may be required to lift and support the hub as it is being installed onto the spindle.

NOTE: If ADB, refer to Hendrickson literature number T71004 *Hub and Rotor Assembly and Caliper Mounting* for servicing the rotor.

If installing new hub, start with [Step 3](#).

1. **Thoroughly clean** the hub bore of any dirt, grease, rust or any other substance that may be present.
2. **Remove** all sharp edges, nicks and burrs from seal bore, hubcap bore and hubcap mounting surface of the hub.
3. **Inspect** hub seal bore for roughness. If needed, use emery cloth to remove any burrs or old bore sealant and wipe hub clean.
4. **Ensure** hubcap mounting surface is smooth and free of debris.

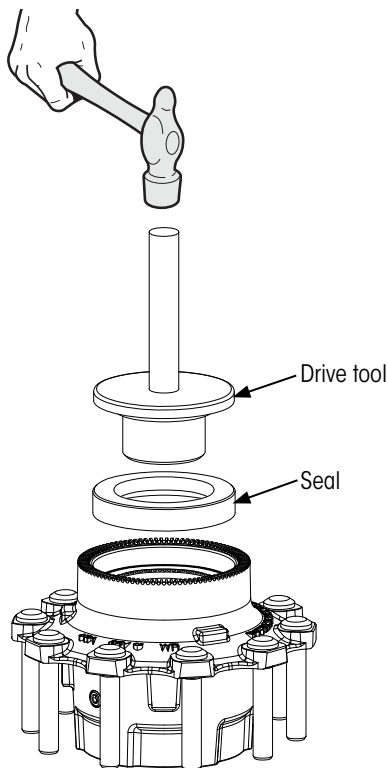


Figure 11: Hub-mounted seal installation

NOTE: A hub seal driver (Figure 11) is recommended and can be obtained from seal manufacturer.

5. **Apply lubricant** to inner bearing.

NOTE: HXL7® wheel-ends require DELO® SYN-GREASE™ SFE EP 0 or approved semi-fluid grease.

6. **Install** inner bearing into hub ([Figure 1](#) on page 5).
7. **Lubricate** seal according to seal manufacturer's recommendations.
8. **Place** seal onto the drive tool ([Figure 11](#)) for installation into the hub according to seal manufacturer's instructions.
 - A. **Align** seal tool with hub seal bore.
 - B. **Drive** seal until it bottoms out in the hub seal bore.
 - C. **Rotate** installation tool and apply several light blows to ensure seal is properly seated.
 - D. **Check** inner bearing to ensure it rotates freely.

HUB AND OUTER BEARING ASSEMBLY

With seal and inner bearing in place; the hub, Semi-Fluid grease and the outer bearing can now be installed onto the spindle; in that order.

CAUTION For safety reasons, to prevent injury and damage to the hub and spindle, lifting equipment may be required to lift and support the hub as it is being installed onto the spindle.

NOTE: Refer to [MAKING A HUB SEMI FLUID GREASE Dam](#) on page 16 for instructions on making the dam.

NOTICE When completed, the hub should be filled to 50% of hub cavity (to 3 & 9 o'clock position when viewing from end of spindle). Any air bubbles or aeration of grease may result in insufficient grease quantity, bearing spalling and wheel-end damage.

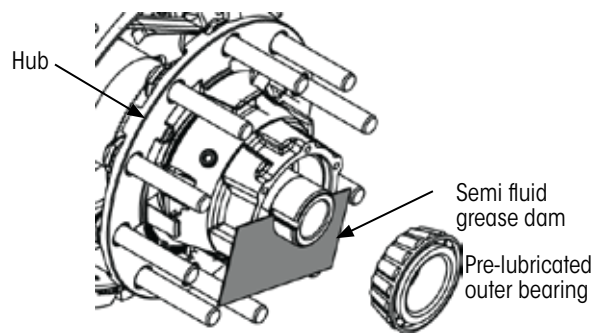


Figure 12: Semi fluid grease dam application

1. Taking care not to damage the seal, **gently slide** the hub onto spindle until the seal is against the spindle seal journal (Figure 10 on page 10).

NOTICE

The HUB SEAL CAN BE DAMAGED if:

- Hub seal is improperly installed.
- Hub seal is rammed into the spindle bearing shoulder.
- Hub is not kept supported and aligned with spindle until the outer bearing and axle nut are installed.
- Lubricant types are mixed during hub assembly.

2. **Support** and do not allow hub to move off center while completing the assembly.
3. With the hub supported in position as shown in , **place and hold** the semi fluid grease dam so it covers the lower half the hub opening.
4. **Fill** hub cavity to the top of the dam (3 & 9 o'clock position when viewing from end of spindle) with DELO® SYN-GREASE™ SFE EP 0 or approved semi-fluid grease.
5. **Pre-lube** outer bearing with a coating of semi fluid grease.
6. **Place** grease coated outer bearing over the spindle and against the semi fluid grease dam.
7. **Slide** the dam out as the bearing is inserted into the hub outer bearing cup.
8. **Clean** as needed to remove grease from unwanted areas.

NOTE: While sliding hub onto spindle, grease is collected at the spindle seal journal inboard of the hub (Figure 2 and 3 on page 6). This may be later interpreted as a grease leak and should be cleaned.

9. Continue with INSTALLING PRECISION320® NUT SYSTEM & WHEEL BEARING ADJUSTMENT.

INSTALLING PRECISION320® NUT SYSTEM & WHEEL BEARING ADJUSTMENT

NOTICE Failure to exactly follow the steps of this procedure could cause improper bearing seating, resulting in reduced bearing life.

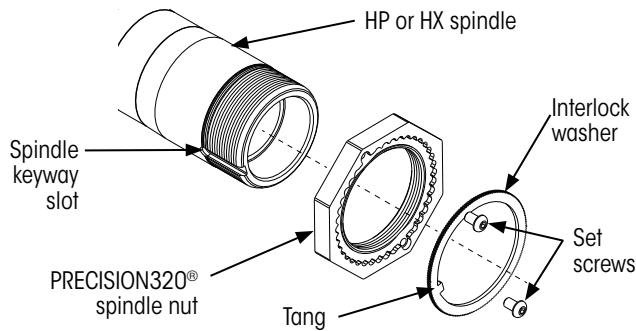


Figure 13: PRECISION320® spindle nut system components

⚠ WARNING FAILURE TO FOLLOW THESE INSTRUCTIONS COULD CAUSE WHEEL TO COME OFF AND CAUSE BODILY INJURY.

OVER-TIGHTENING NUT COULD CAUSE BEARINGS TO RUN HOT AND BE DAMAGED.

1. Install PRECISION320® spindle nut (Figure 13) onto the spindle, toothed side out, and hand-tighten.
2. Simultaneously rotate hub clockwise at least three revolutions, while using a torque wrench to tighten the PRECISION320® spindle nut to 200 ft. lbs. (271 Nm) of torque.
3. Back off PRECISION 320® spindle nut 1 revolution.
4. Rotate hub clockwise at least one full revolution.
5. Tighten PRECISION320® spindle nut to 50 ft. lbs. (68 Nm) of torque.
6. Rotate hub clockwise three full revolutions.
7. Repeat Step 5 and Step 6 three more times.

IMPORTANT: **DO NOT rotate** the hub at this point. Rotating the hub before installing the interlock washer can dislodge the precision spindle nut and cause improper bearing seating.

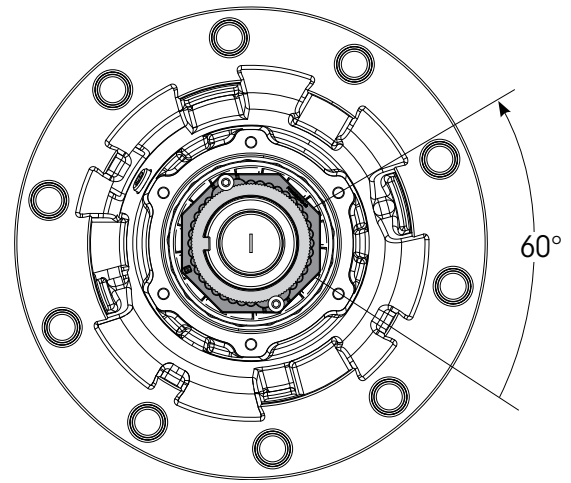


Figure 14: Back off nut 1/8 turn

8. Back off nut 1/8 turn (Figure 14, one hubcap screw hole).

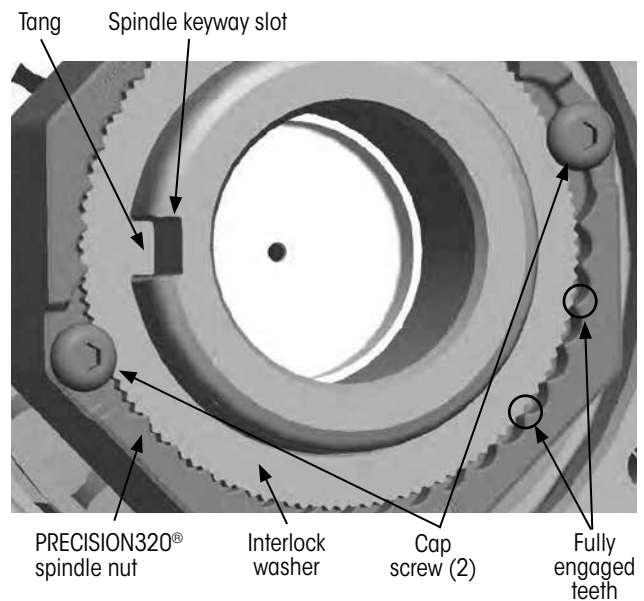


Figure 15: Interlock washer and spindle nut fully engaged

9. Install interlock washer into PRECISION320® spindle nut with the tang aligned and inserted in spindle keyway as shown in Figure 13 and Figure 15.

If washer and nut teeth do not align, **DO NOT ROTATE NUT**. Flip interlock washer over and reinstall.

NOTE: The PRECISION320® interlock washer and nut are designed so that one side of the washer will always engage the PRECISION320® spindle nut teeth without readjusting the nut.



IMPORTANT: Teeth between the interlock washer and PRECISION320® spindle nut must fully engaged as shown in [Figure 15 on page 13](#). **DO NOT ADJUST NUT TO ALIGN INTERLOCK WASHER.** Flip interlock washer over and reinstall.

10. **Install two button-head cap screws** ([Figure 13 on page 13](#)) into PRECISION320® spindle nut until the heads of the screws just contact the face of the nut.
11. **Tighten cap screws** to 15±2 ft. lbs. (20±2 Nm) torque.

INSPECTING HUB INSTALLATION

To ensure correct installation, follow these procedures:

1. **Ensure** interlock washer is fully seated in PRECISION320® spindle nut ([Figure 15 on page 13](#)).
2. **Ensure** heads of both cap screws contact nut face.
3. **Check end play** using [CHECKING BEARING END PLAY on page 7](#).

If end play is **between 0.001 and 0.005** inch (0.0127 mm), continue with [INSTALL HUBCAP](#).

If excessive end-play (nut too loose):

- A. **Remove** two cap screws and pull interlock washer away from nut, but not off spindle.
- B. **Hand** tighten precision spindle nut until next washer tooth is aligned.

NOTE: Apply a small amount of Loctite® Threadlocker Blue to screw threads.

- C. **Reassemble** interlock washer and button-head cap screws.
- D. **Return** to [CHECKING BEARING END PLAY on page 7](#).

If insufficient end-play (over clamped):

- A. **Remove** two cap screws and pull interlock washer away from nut, but not off spindle.
- B. **Back-off** precision spindle nut until next washer tooth is aligned.

NOTE: Apply a small amount of Loctite® Threadlocker Blue to screw threads.

- C. **Reassemble** interlock washer and button-head cap screws.
- D. **Return** to [CHECKING BEARING END PLAY on page 7](#).

NOTE: If the above **steps have already been performed** and end play is still out of tolerance, return to [HUB REMOVAL on page 9](#) to remove and reinstall hub. If difficulty continues, refer to [CONTACTING HENDRICKSON on page 3](#).

4. **Perform** the [CHECKING FOR SMOOTH ROTATION on page 7](#).



INSTALL HUBCAP

After the hub installation and inspection is complete, the hubcap can be installed.

IMPORTANT: Always install a new gasket when reinstalling hubcap.

NOTICE Interference between nut system and hubcap could occur if improper components are used. Use only genuine Hendrickson or Hendrickson approved replacement components. Refer to RELATIVE LITERATURE on page 4 or CONTACTING HENDRICKSON on page 3 as needed.

1. **Visually inspect** hubcap, hub mating surface, bolt holes and new gasket for:
 - Signs of damage
 - Debris, such as silicon gasket sealer
 - Burrs or sharp edges
 - Cracks
2. **Clean, repair or replace** as needed.
3. **Align** hubcap and new gasket onto hub and **insert** bolts.
4. **Hand-tighten** bolts.
5. Using a star pattern, **tighten hubcap** screws to 15±3 ft. lbs. (20±4 Nm) torque.

NOTICE **DO NOT** overtighten hubcap screws. Overtightening will distort metal hubcap mounting flange, which will prevent hubcap from achieving a leak-free seal.

COMPLETING INSTALLATION

1. **Spin hub** more than three revolutions to distribute lubricant equally in hub bore.
2. If drum brake, **install brake drum**
3. If ADB, **install brake caliper** according to manufacturer's procedures. Refer to Hendrickson literature number T71004 *Hub and Rotor Assembly and Caliper Mounting* for information to reassemble ADB rotor and brake components. New caliper mounting hardware must be used.
4. **Install** wheel (tire and rim assembly) Refer to Brake DRUM AND WHEEL ASSEMBLY in Hendrickson literature number T82006 *Stud Replacement Procedures*.

ADDITIONAL INFORMATION

HUB SEMI FLUID GREASE DAM

Use of the hub semi fluid grease dam, during assembly, is the recommended method of lubricating the hub with semi fluid grease. Refer to HUB AND OUTER BEARING ASSEMBLY on page 11 for instructions on how to use the hub semi fluid grease dam.

MAKING A HUB SEMI FLUID GREASE DAM

To make a grease dam, follow the instructions on the face of the template (Figure 16 on page 16). Use cardboard, plastic or other flat stiff material.

TORQUE VALUES

Table 3 lists torque values for HXL7® wheel-end fasteners.

FASTENER	TORQUE	
	ft. lbs.	Nm
Hubcap Screws	15±3	20±4
Hub fill port plug	22±2	30±3
PRECISION320® cap screws	15±2	20±2
Wheel Nuts ^{1,2}	475±25	644±25

¹ These fasteners are incrementally tightened according to procedures defined in this manual and superseded by OE documentation, where applicable. Refer to decal T70013 *Wheel Assembly Procedure*.

² Re-torque all wheel nuts after 50 to 100 miles of service.

Table 3: HXL7® Wheel-end fastener torque values

WHEEL STUD REMOVAL AND INSTALLATION PROCEDURE

Refer to Hendrickson literature number T82006 *Stud Replacement Procedures* for detailed instructions wheel stud removal for both drum and disc applications.

Hub Semi Fluid Grease Dam

1. Print one template for each spindle type (HN & HP or HX).
2. Make a HN or HP and HX grease dam from carboard, plastic or other flat stiff material.
3. Use this grease dam when filling hub with semi-fluid grease to 50% full level.
4. Slide outer bearing over spindle and slide grease dam out while inseting bearing into hub.

For more details, refer to TMC RP 631.

For assistance contact Hendrickson Technical Services
866-RIDEAIR (743-3247) or in Canada at 800-668-5360

HENDRICKSON
The World Rides On Us®

Figure 16: Hub Semi Fluid Grease Dam Template

Actual product performance may vary depending upon vehicle configuration, operation, service and other factors.

Call Hendrickson at **866.RIDEAIR (743.3247)** for additional information.



www.hendrickson-intl.com

TRAILER COMMERCIAL VEHICLE SYSTEMS
2070 Industrial Place SE
Canton, OH 44707-2641 USA
866.RIDEAIR (743.3247)
Fax 800.696.4416

Hendrickson Canada
2825 Argenta Road, Unit #2-4
Mississauga, ON Canada L5N 8G6
800.668.5360
905.789.1030 • Fax 905.812.9423

Hendrickson Mexicana
Circuito El Marqués Sur #29
Parque Industrial El Marqués
Pob. El Colorado, Municipio El Marqués,
Querétaro, México C.P. 76246
+52 (442) 296.3600 • Fax +52 (442) 296.3601