

# **H** PARTS LIST

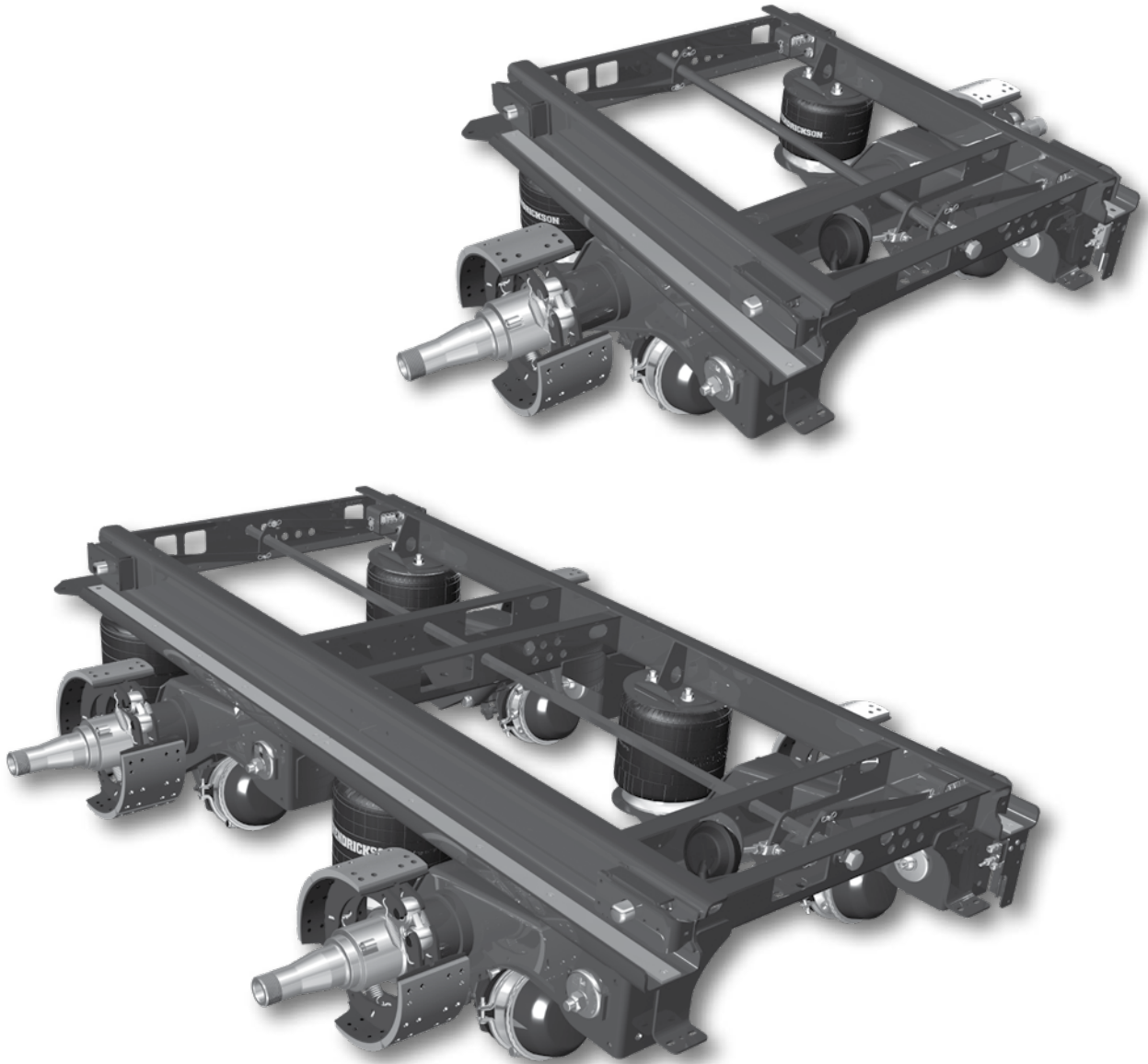
INTRAAX® SP Platform Slider  
AAZL 23K Single / 46K Tandem

LIT NO: L931

DATE: May 2022

REVISION: E

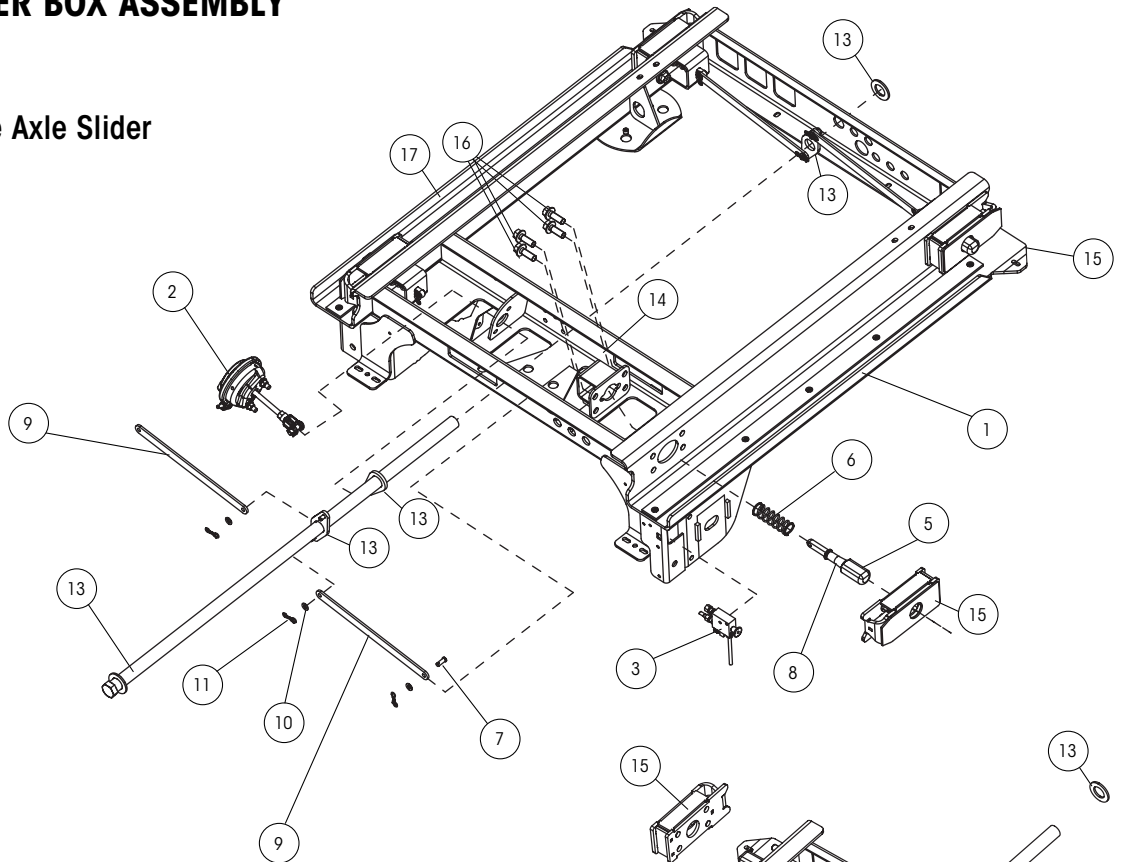
---



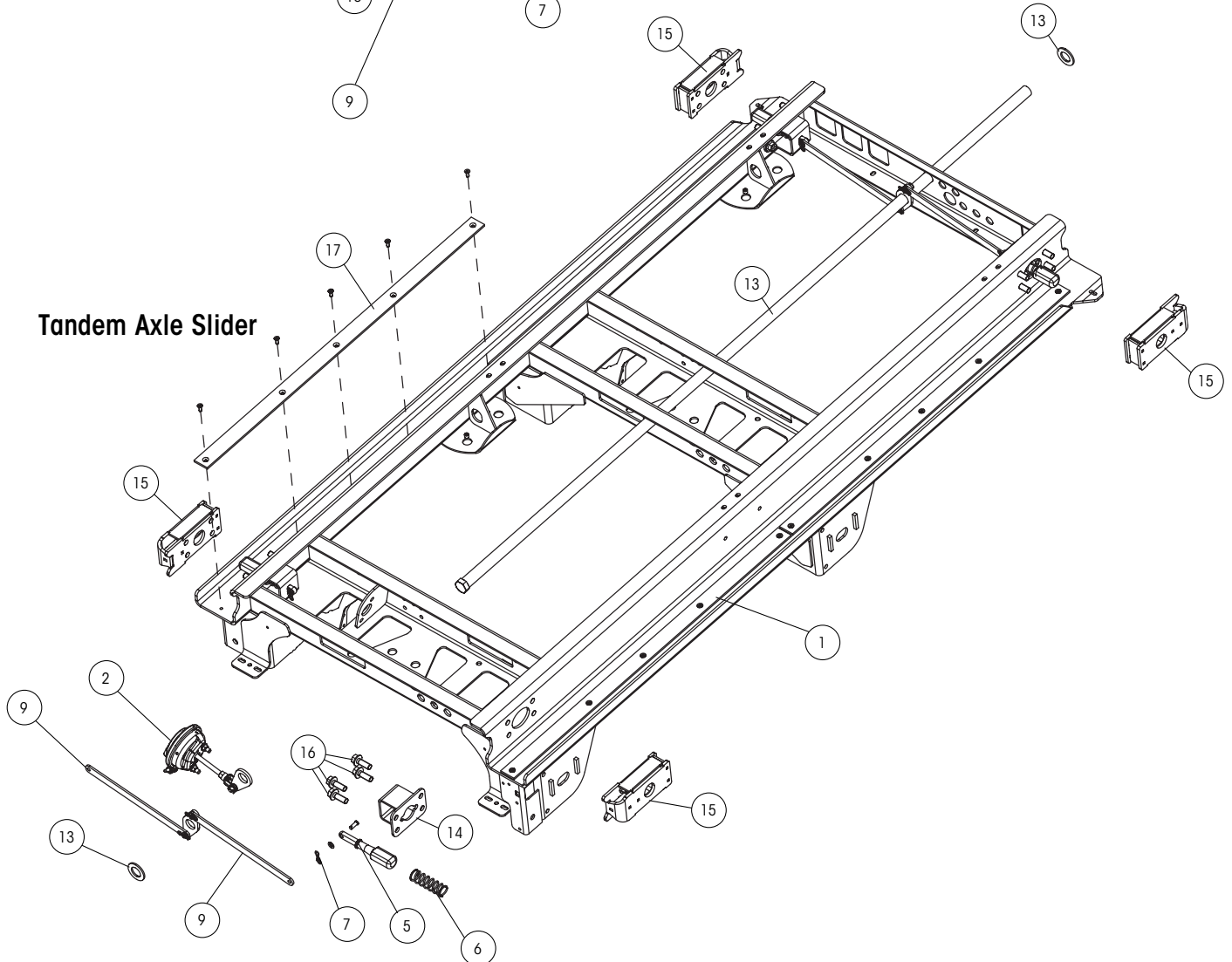


**SLIDER BOX ASSEMBLY**

**Single Axle Slider**



**Tandem Axle Slider**





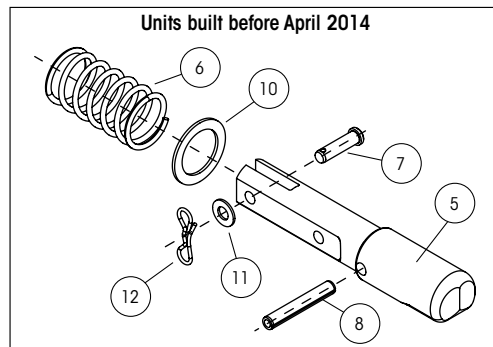
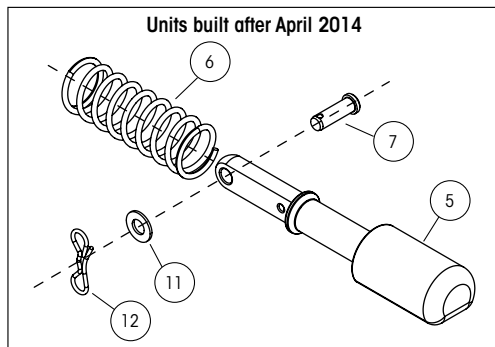
## SLIDER BOX ASSEMBLY

All suspensions are 23K capacity; system capacity for tandem is 46K.  
 I-beam centers are 37" and 38" for 42" box width with 71.5" axle track.  
 I-beam centers are 43" and 44" for 48" box width with 77.5" axle track.  
 Axle spacing or "spread" is measured from center of front axle to center of rear axle.

ITEM	DESCRIPTION	PART NO.	TANDEM SYSTEM QTY.	NOTE
1	<b>AFTERMARKET SLIDER BOX REPLACEMENT</b>	AMBOX.XX	1	Please contact Hendrickson for assistance
2	<b>BRAKE CHAMBER</b>	A-23039	1	Type 12 modified
3	<b>QUIK-DRAW® VALVE</b>			See L751 QUIK-DRAW Parts List
4	<b>QUIK-DRAW VALVE KNOB with SCREW SET</b> (Not shown)			See L751 QUIK-DRAW Parts List
5	<b>LOCKING PIN</b>			See L751 QUIK-DRAW Parts List
6	<b>LOCKING PIN SPRING</b>			See L751 QUIK-DRAW Parts List
7	<b>CLEVIS PIN</b>			See L751 QUIK-DRAW Parts List
8	<b>SPRING PIN</b>			See L751 QUIK-DRAW Parts List
9	<b>LOCKING PIN LINK</b>			See L751 QUIK-DRAW Parts List
10	<b>LOCKING PIN WASHER</b>			See L751 QUIK-DRAW Parts List
11	<b>PIN WASHER</b>			See L751 QUIK-DRAW Parts List
12	<b>LOCKING PIN LINK COTTER PIN</b>			See L751 QUIK-DRAW Parts List
13	<b>PIPE WELDMENT KIT</b>			Includes pipe weldment, crank weldment, crank arm actuator and pipe ring stop
	Single Axle	S-28044-1	1	51" weldment
	Tandem, 49" Axle Spread	S-28044-2	1	99" weldment
	Tandem, 60" Axle Spread	S-28044-3	1	111" weldment
	Tandem, 72" Axle Spread	S-28044-4	1	123" weldment
14	<b>INNER LOCK PIN CAGE ASSEMBLY</b>	S-27000	4	Units built before April 2014
		S-34055	4	Units built April 2014 and after
15	<b>OUTER LOCK PIN CAGE REPLACEMENT KITS</b>			
	No Shims, Per Slider	S-28658-1	1	Includes (4) pin cages and (16) bolts
	With Outer Shims, Per Slider	S-28658-2	1	Includes (4) pin cages and (16) bolts
	No Shims, front	S-28658-3	2	Includes (1) curbside and (1) roadside cage and bolts
	With Outer Shims, Rear	S-28658-4	2	Includes (1) curbside and (1) roadside cage and bolts
16	<b>PIN CAGE BOLT</b> (Bolts are Included in Kits)	SA-6900-20	16	Four (4) per cage, (16) per slider
17	<b>SLIDER WEAR PAD KIT</b>	S-28641	1	Quantity of (1) needed for single; (2) needed for tandem. Includes (2) 49" pads and (10) screws
18	<b>STINGER</b> (Not Shown)	S-27028-1	1	Includes (1) stinger and hardware

NOTE: Identification tag can be found on the roadside slider box rail above the front frame bracket gusset. There is also a blank INTRAAAX® tag on the inside of the curbside beam.

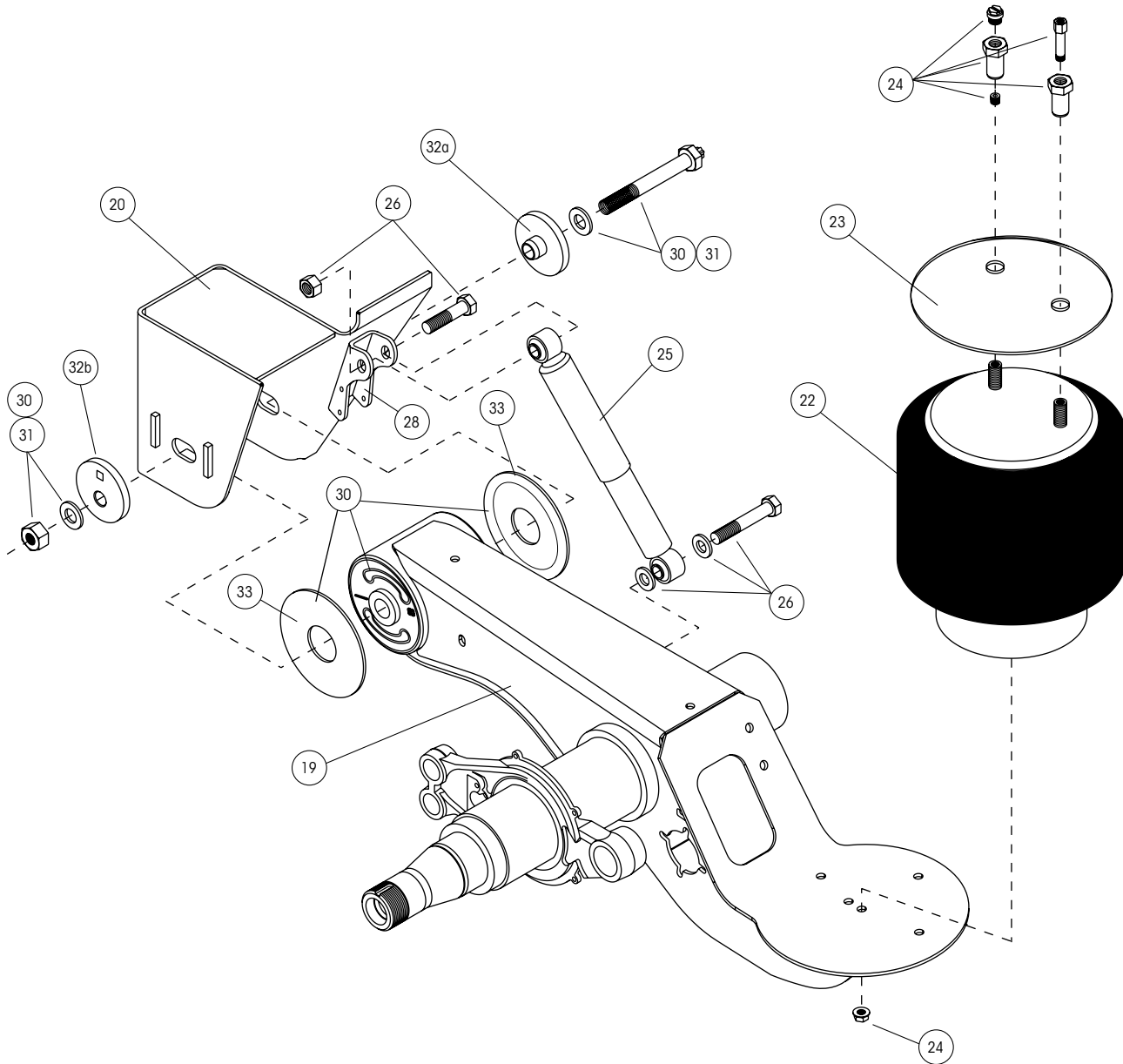
### SLIDER PINS





**LOW-RIDE SUSPENSION ASSEMBLY - AAZL**

**Wide Frame Bracket Assembly, Straight Beam**





**LOW-RIDE SUSPENSION ASSEMBLY — AAZL**

All low-ride suspensions are wide frame bracket and wide beam assemblies.  
 All suspensions are 23K capacity; system capacity for tandem is 46K.  
 Low-ride ride heights are 6.5" - 12".

ITEM	DESCRIPTION	PART NO.	QTY. PER		NOTE
			AXLE		
19	<b>AXLE/BEAM WELDMENT</b>	HTRAAX.XXX			Contact Hendrickson for assistance
20	<b>FRAME BRACKET</b>				See L1266 Frame Bracket Parts List
21	<b>FRAME BRACKET GUSSET</b> (Not Shown)	S-27330	2		For weld-on, winged or wingless frame attachments; for ride heights of 12" to 17"
22	<b>AIR SPRING</b>				
	Standard	S-23720	2		6.5" - 7.5" ride height
		S-23613	2		8" - 9" ride height
		S-23614	2		12" ride height
	Low Pressure	S-23721	2		6.5" - 7.5" ride height
		S-23611	2		8" - 9" ride height
		S-23612	2		12" ride height
23	<b>AIR SPRING MOUNTING PLATE</b>	S-23294	2		
24	<b>AIR SPRING MOUNTING KIT</b>	S-22619/2	2		(1) kit is required per air spring
25	<b>SHOCK ABSORBER</b>				
	Standard Travel	S-23651	2		6.5" - 9" ride height
		S-23566	2		12" ride height
	Extended Service with High Damping	S-24579	2		6.5" - 9" ride height
		S-24023	2		12" ride height
26	<b>FRONT SHOCK ABSORBER BOLT KIT</b> (Per Shock)				
		<b>5-inch</b>			
		S-24757/2			
		<b>LDA™</b>			
		S-31080	2		(1) required per shock
27	<b>SHOCK SPACER</b> (Not Shown)	A-30202-1	2		LDA only
28	<b>SHOCK MOUNT CLEVIS</b>	C-20918	2		
29	<b>SHOCK STRAP KIT</b> (Not Shown)				Includes (2) straps, (2) clevis and nylon ties
	Standard Shock	C-23086-4	1		6.5" - 9" ride height; Use with S-23651 shock
		C-23086-1	1		12" ride height; Use with S-23566 shock
	Extended Service with High Damping	C-23086-8	1		6.5" - 9" ride height; Use with S-24579 shock
		C-23086-2	1		12" ride height; Use with S-24023 shock
30	<b>TRI-FUNCTIONAL® BUSHING KIT<sup>1</sup></b>	S-24691	2		Includes (1) TRI-FUNCTIONAL bushing, (1) pivot bolt kit, (2) bushing tube spacers and lube packet

1. Bushing tool, S-21307 is required to properly re-bush the suspension.



ITEM	DESCRIPTION	PART NO.	QTY. PER AXLE	NOTE
31	<b>QUIK-ALIGN® PIVOT BOLT KIT<sup>2</sup></b>	S-24679	2	Includes 10" bolt, hexnut and (2) hardened washers
32	<b>ALIGNMENT COLLARS</b>			
	<b>32a</b> Concentric (Inner)	S-20924	2	Alignment hole is centered
	<b>32b</b> Eccentric (Outer)	S-20925	2	Alignment hole is off-center
33	<b>BUSHING TUBE SPACER</b>	S-21099	4	
34	<b>BRAKE KITS COMPONENTS</b> (Not Shown)			See L1104
35	<b>AXLE COMPONENTS</b> (Not Shown)			See L1102
36	<b>BRAKE CHAMBER BRACKET</b> (Not Shown)	S-24697	2	

2. Best installed with Hendrickson's E-20 socket S-24536 (1-inch drive sleeveless), S-25119 (1-inch drive with sleeve) or S-24303 (¾-inch drive sleeveless).

**OTHER PARTS LISTS**

More information can be found in the following documents

Lit. Number	Description
L1102	Slider Accessories and Axle Components Parts List
L949	RTR® READY-TO-ROLL® Parts List
L589	TRI-FUNCTIONAL® Bushing Replacement Tool
L1104	Brake Kits and Components Parts List





*Actual product performance may vary depending upon vehicle configuration, operation, service and other factors.*

*All applications must comply with applicable Hendrickson specifications and must be approved by the respective vehicle manufacturer with the vehicle in its original, as-built configuration. Contact Hendrickson for additional details regarding specifications, applications, capacities, and operation, service and maintenance instructions.*

**Call Hendrickson at 330.489.0045 or 866.RIDEAIR (743.3247) for additional information.**



[www.hendrickson-intl.com](http://www.hendrickson-intl.com)

**TRAILER COMMERCIAL VEHICLE SYSTEMS**

2070 Industrial Place SE  
Canton, OH 44707-2641 USA  
866.RIDEAIR (743.3247)  
330.489.0045 • Fax 800.696.4416

**Hendrickson Canada ULC**

2825 Argentia Road, Unit #2 - 4  
Mississauga, ON Canada L5N 8G6  
800.668.5360  
905.789.1030 • Fax 905.802.9423

**Hendrickson Mexicana**

Circuito El Marqués Sur #29  
Parque Industrial El Marqués  
Pob. El Colorado, Municipio El Marqués,  
Querétaro, México C.P. 76246  
+52 (442) 296.3600 • Fax +52 (442) 296.3601