



TOUGHLIFT[®] FM

Auxiliary Lift Axle Suspension Systems

TOUGHLIFT[®] FM lift axles (Formerly HLM) bring a winning reputation, reliability, performance and durability you have come to expect from Hendrickson products.

Hendrickson offers a wide variety of auxiliary lift axles to meet the requirements of demanding application. The TOUGHLIFT[®] FM Series is engineered for rugged on- and off-highway applications accommodating a wide range of ride heights for both truck and trailer applications. Hendrickson's TRI-FUNCTIONAL[®] Bushing helps absorb brake and acceleration forces while providing superior roll-control. The QUIK-ALIGN[®] feature simplifies the alignment process by eliminating welding of the alignment collar. Capacities available up to 25,000 lbs. in both pusher and tag axle configurations.



TOUGHLIFT FM20
Truck Mount



TOUGHLIFT FM20
Trailer Mount

Available in weld or bolt-on configurations



To learn more about TOUGHLIFT FM,
call 800.660.2829 or visit
www.hendrickson-intl.com

HENDRICKSON

The World Rides On Us[®]

TOUGHLIFT® FM Specifications

Capacity:	up to 25,000 pounds
Suspension Weight:	1,216 pounds
Travel:	9.5 inches
Lift:	6.5 inches
Axle Type:	5-inch round
Package Space:	26 inches



Value-Added Features

Air Control Systems

- LC-NSI_R2: Inside the cab
- LC-UCO_R2: Outside the cab composite box
- LC-USO_R2: Outside the cab stainless box
- LC-MCA_R2: Outside the cab controls - auto lift when vehicle turned off

Air Kit Features

- Compact size reduces amount of space required to mount controls
- Fewer fittings reduce system leak potential
- Higher airflow delivers better response when air controls are activated
- Color-coded connections provide easy identification and reduce installation time
- Inside-the-cab and outside-the-cab models available



Inside Mounted



Outside Mounted
Composite or Stainless Steel Box

QUIK-ALIGN® Pivot Connection

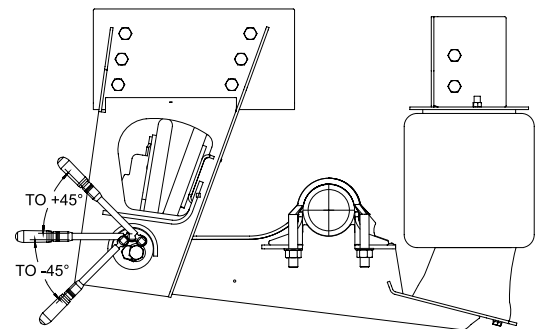
Simplifies the alignment process for quick and reliable adjustment

TRI-FUNCTIONAL® Bushing

Improve absorption of brake and acceleration forces while providing superior roll stiffness



TRI-FUNCTIONAL® Bushing



QUIK-ALIGN®

Actual product performance may vary depending upon vehicle configuration, operation, service and other factors.

All applications must comply with applicable Hendrickson specifications and must be approved by the respective vehicle manufacturer with the vehicle in its original, as-built configuration. Contact Hendrickson for additional details regarding specifications, applications, capacities, and operation, service and maintenance instructions.

Call Hendrickson at **800.660.2829** or **800.668.5360** in Canada for additional information.



www.hendrickson-intl.com

**SPECIALTY PRODUCTS -
AUXILIARY AXLE SYSTEMS**
277 North High Street
Hebron, OH 43025 USA
800.660.2829
740.929.5600 • Fax 740.929.5601

Hendrickson Canada ULC
2825 Argenta Road, Unit #2 - 4
Mississauga, ON Canada L5N 8G6
800.668.5360
905.789.1030 • Fax 905.802.9423

H729 Rev E 01-22

© 2011 – 2022 Hendrickson USA, L.L.C. All Rights Reserved. All trademarks shown are owned by Hendrickson USA, L.L.C., or one of its affiliates, in one or more countries. Information contained in this literature was accurate at the time of publication. Product changes may have been made after the copyright date that are not reflected.

Printed in United States of America