

H TECHNICAL PROCEDURE

VANTRAAX®, HK, AAZ AND HTZ SLIDER SUSPENSION SYSTEMS

SUBJECT: Slider Pin Orientation

LIT NO: L900

DATE: November 2012

REVISION: A

The flat-topped slider pins in this box must always be installed flat side up, regardless of suspension type, slider pin size or main rail hole shape. If not installed flat side up, the pins will not fit into the trailer body rails.

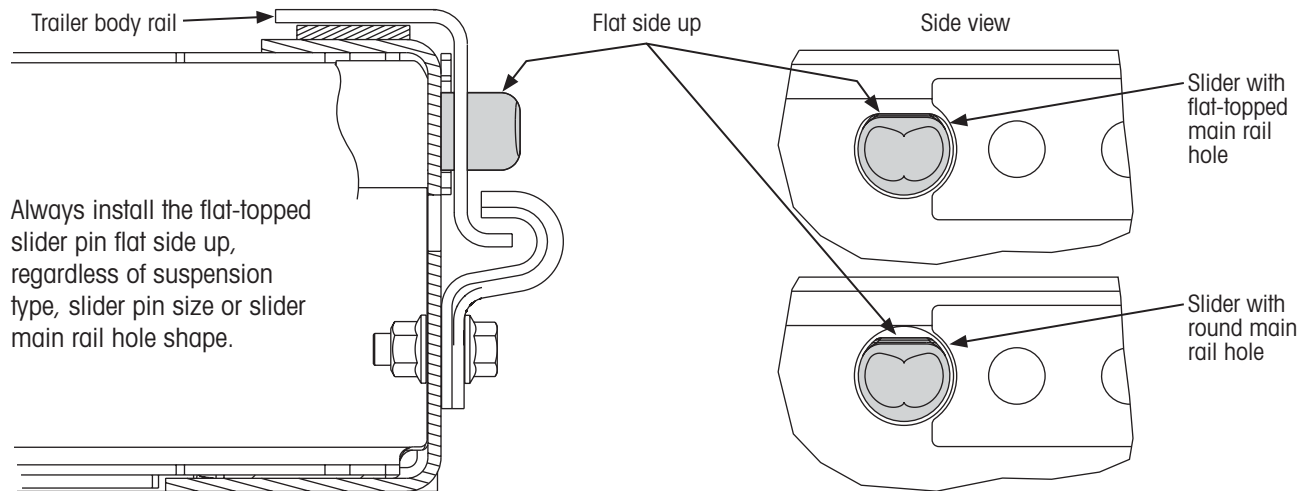


Figure 1: Proper flat-topped slider pin installation on VANTRAAX and HK Series slider systems

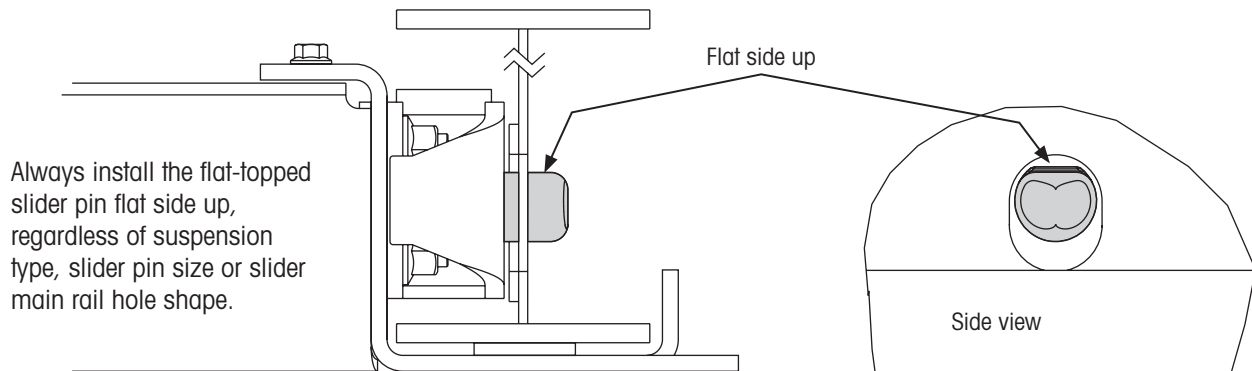


Figure 2: Proper flat-topped slider pin installation on INTRAAX — SP and HT Series slider systems

www.hendrickson-intl.com

H HENDRICKSON

Hendrickson Canada
250 Chrysler Drive, Unit #3
Brampton, ON Canada L6S 6B6
905.789.1030
Fax 905.789.1033

Trailer Commercial Vehicle Systems
2070 Industrial Place SE
Canton, OH 44707-2641 USA

866.RIDEAIR (743.3247)
330.489.0045
Fax 800.696.4416

Hendrickson Mexicana
Circuito el Marqués Sur #29
Parque Industrial El Marqués
Pob. El Colorado, Municipio El Marqués,
Querétaro, México C.P. 76246
+52 (442) 296.3600
Fax: +52 (442) 296.3601