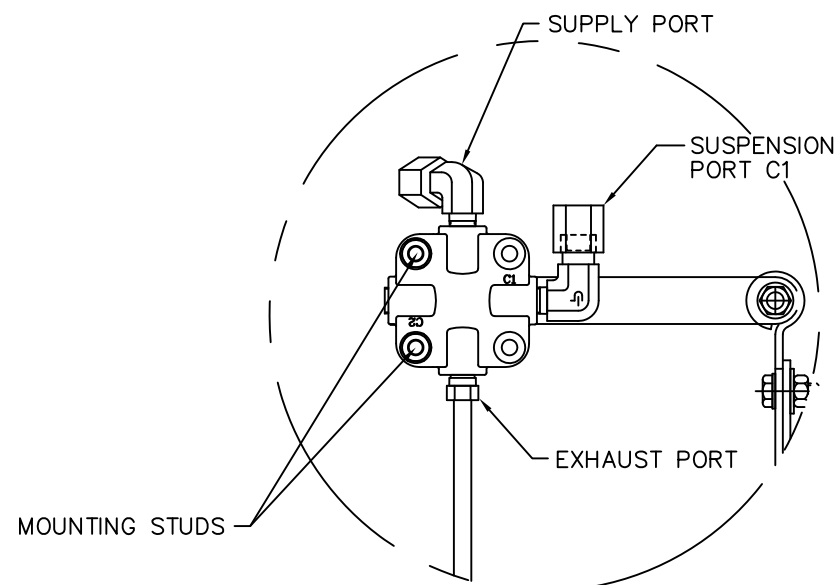
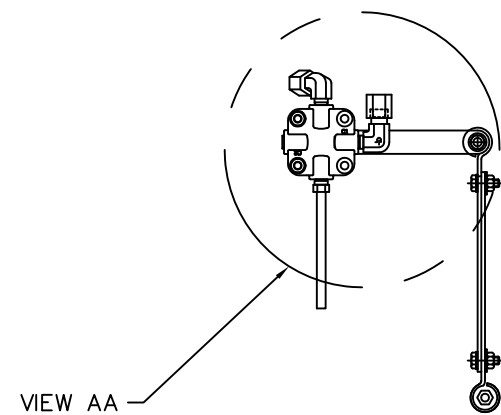
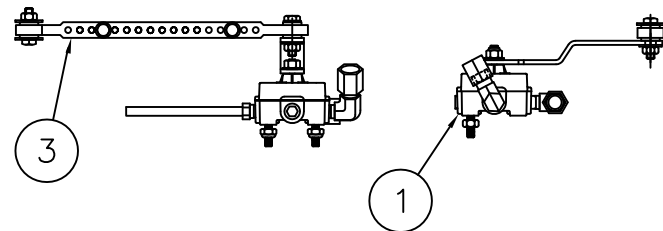
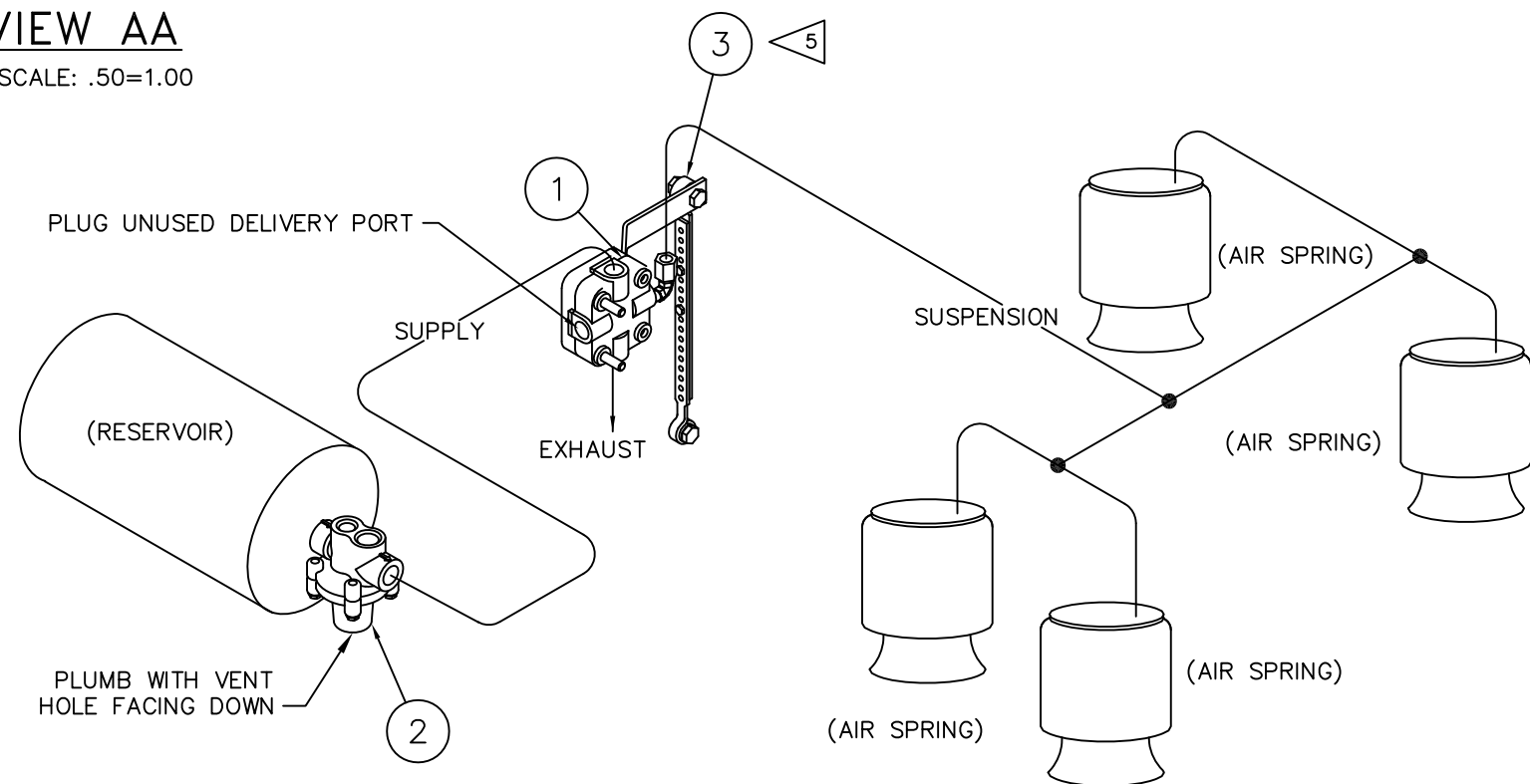


This Print remains the property of Hendrickson. All information contained thereon is confidential. It is loaned, subject to return on demand and on express condition that it is not to be copied or used directly or indirectly for any purpose other than the purpose for which it has been loaned to you.



VIEW AA

SCALE: .50=1.00



PLUMB WITH VENT HOLE FACING DOWN

OPERATION:

VALVE ARM HORIZONTAL
FRAME IS AT PRESET HEIGHT
NO AIR FLOW OCCURRING.

VALVE ARM DOWN
FRAME IS HIGH, AIR SPRINGS
ARE EXHAUSTED UNTIL ARM
IS HORIZONTAL.

VALVE ARM UP
FRAME IS LOW, AIR SPRINGS
ARE INFLATED UNTIL ARM
IS HORIZONTAL.

FUNCTION:
AUTOMATIC HEIGHT CONTROL.

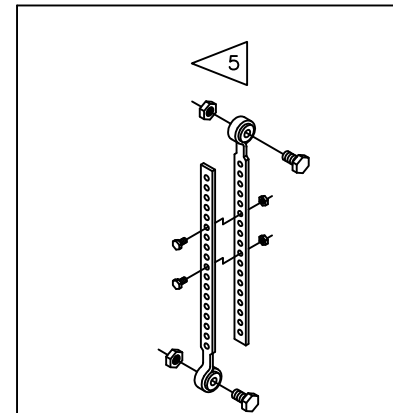
HCV WITHOUT DUMP			AKH-134-3	AKH-134B-3
ITEM	PART NO.	DESCRIPTION	QTY.	QTY.
1	A-28648	HCV - VALVE ONLY	1	1
2	A-1128	PRESSURE PROTECTION VALVE	1	-
3	A-14187	LINK ASSEMBLY - BOLTED	1	1
*4	L-668	INSTALLATION INSTRUCTIONS	1	1
*5	DWG C-24789	NON DELAY HCV KIT FOR HT & HS SUSPENSIONS	1	1
*6	A-29870	HCV SUB-KIT (#1)	1	1

* NOT SHOWN

WEIGHT: 1.73 1.43

NOTES:

- DO NOT ADD LUBRICATION TO AIR SYSTEM.
- ALL CONNECTIONS MUST BE LEAK PROOF.
- AVOID BENDS IN AIR LINES.
- AIR LINE FITTINGS AND LINES TO BE FURNISHED BY INSTALLER. 3/8" O.D. POLYIMIDE TUBING RECOMMENDED.
- TRIM & BOLT LINKS AS REQ'D TO HOLD HEIGHT CONTROL VALVE IN NEUTRAL POSITION WHEN SUSPENSION IS AT RIDE HEIGHT.
- DO NOT OVER TIGHTEN LINK MOUNTING BOLTS. THE LINK SHOULD PIVOT FREELY ABOUT THE BOLT. THE LINK, WHEN PROPERLY INSTALLED, SHOULD APPEAR VERTICAL WHEN VIEWING IT FROM THE FRONT OF THE SUSPENSION.
- TO MAKE FINE ADJUSTMENTS IN RIDE HEIGHT LOOSEN MOUNTING NUTS AND ROTATE VALVE BODY.
- USE AKH-227 HEIGHT CONTROL VALVE KIT FOR T MODEL SUSPENSIONS.
- ALL ITEMS SHIPPED UNASSEMBLED. FITTINGS, NUTS AND BOLTS TO BE PLACED IN A PLASTIC BAG.



TRAILER COMMERCIAL VEHICLE SYSTEMS
2070 INDUSTRIAL PLACE S.E., CANTON, OH 44707-2600 U.S.A.

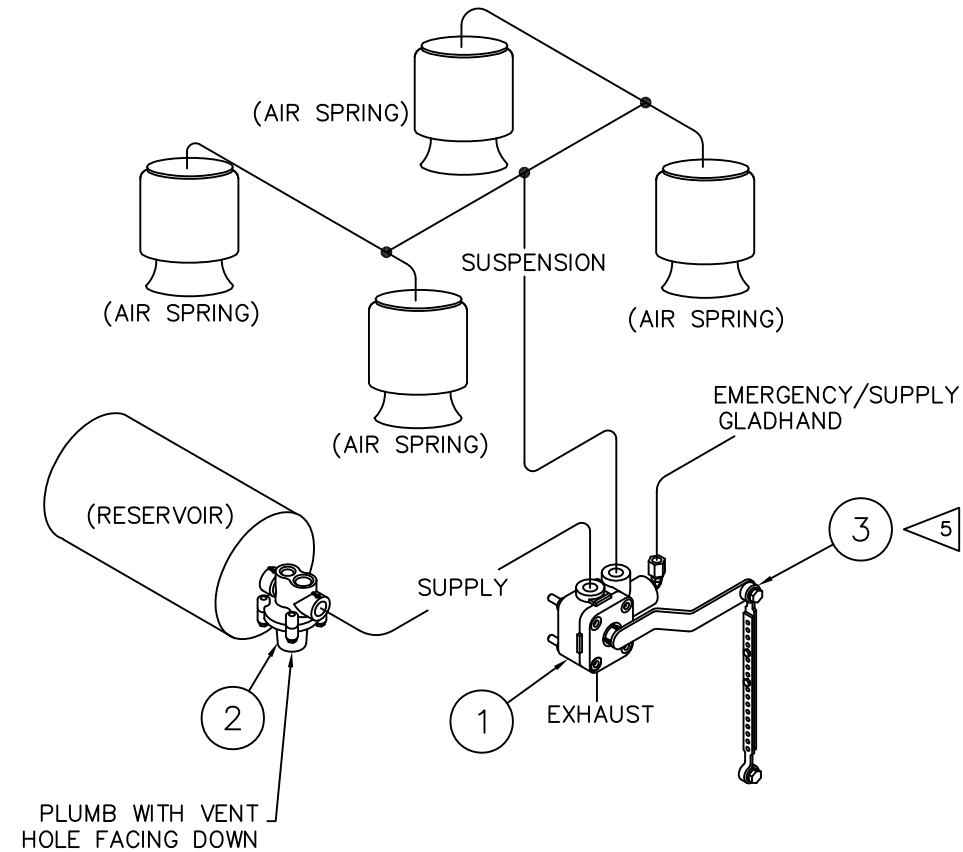
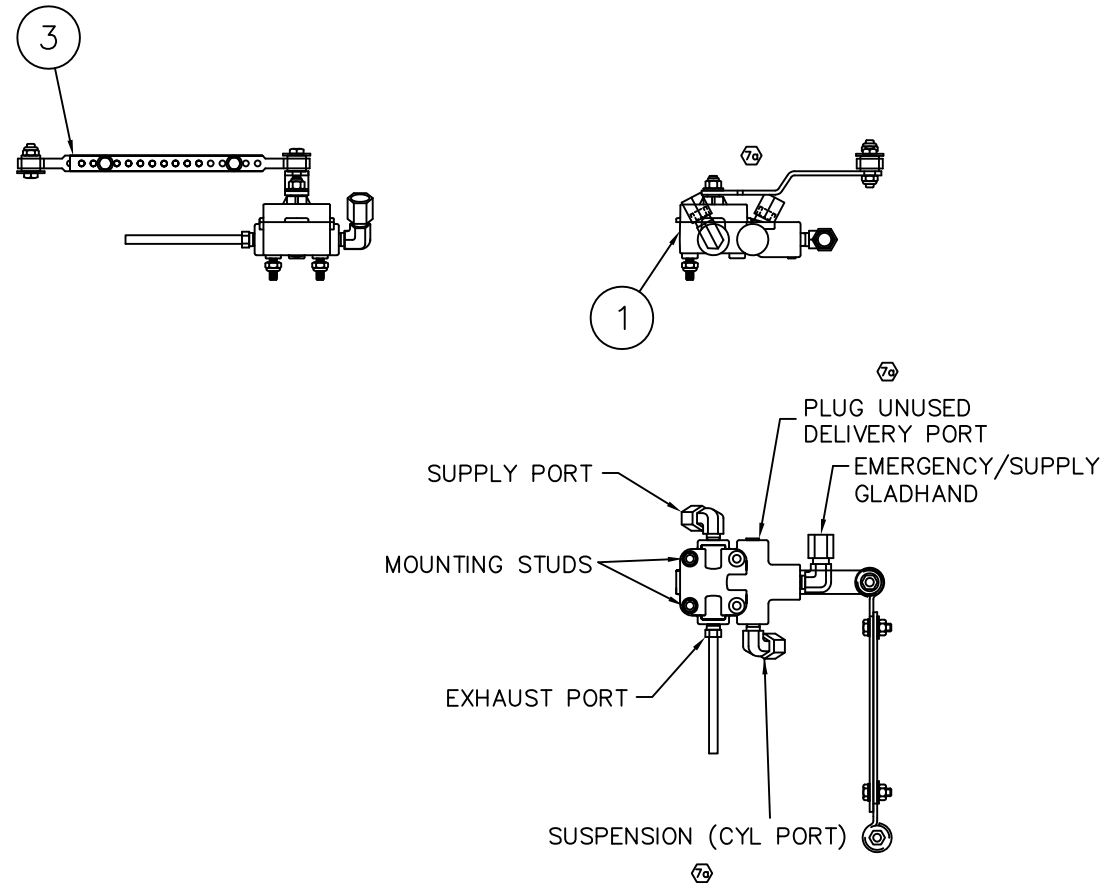
UNLESS OTHERWISE NOTED: TOLERANCES ARE		7a	25944	SRP	11-7-16	DRN'D BY	L. WILSON	DATE	1-27-99
DIMENSIONS ARE:		7	16040	PSO	10-12-07	CHK'D BY	2-11-99 G. SHENKLE	THIS DRAWING IS THE CONFIDENTIAL PROPERTY OF HENDRICKSON	
X: ± .1		6	15594	CDR	6/5/07	APP'D BY	J. CERVANTEZ		
XX: ± .06		5	13023	CDR	2-25-04				
XXX: ± .030									
ANGULAR: ± 0.5°									
3RD ANGLE PROJECTION									
DIMENSIONS ADHERE TO ANSI Y14.5M-1982		REV.	ECN NO.	BY	DATE				

NON DELAY HCV KIT FOR
HT & HS SUSPENSIONS

SCALE: NTS 7a
(SIZE)
PAGE: 1 OF 2
DRAWING No. C-24789

This Print remains the property of Hendrickson. All information contained thereon is confidential. It is loaned, subject to return on demand and on express condition that it is not to be copied or used directly or indirectly for any purpose other than the purpose for which it has been loaned to you.

HCV WITH DUMP			AKHD-195-3
ITEM	PART NO.	DESCRIPTION	QTY.
1	A-29393	HCV W/DUMP	1
2	A-1128	PRESSURE PROTECTION VALVE	1
3	A-14187	LINK ASSEMBLY - BOLTED	1
*4	L-373	CAUTION STICKER	1
*5	DWG C-24789	NON DELAY HCV KIT FOR HT & HS SUSPENSIONS	1
*6	L-668	INSTALLATION INSTRUCTIONS	1
*7	A-29871	HCV SUB-KIT (#2)	1
*8	A-29874	HCV SUB-KIT (#5)	1
* NOT SHOWN			WEIGHT: 2.14



NOTES:

- DO NOT ADD LUBRICATION TO AIR SYSTEM.
- ALL CONNECTIONS MUST BE LEAK PROOF.
- AVOID BENDS IN AIR LINES.
- AIR LINE FITTINGS AND LINES TO BE FURNISHED BY INSTALLER. 3/8" O.D. POLYIMIDE TUBING RECOMMENDED.
- TRIM & BOLT LINKS AS REQ'D TO HOLD HEIGHT CONTROL VALVE IN NEUTRAL POSITION WHEN SUSPENSION IS AT RIDE HEIGHT.
- DO NOT OVER TIGHTEN LINK MOUNTING BOLTS. THE LINK SHOULD PIVOT FREELY ABOUT THE BOLT. THE LINK, WHEN PROPERLY INSTALLED, SHOULD APPEAR VERTICAL WHEN VIEWING IT FROM THE FRONT OF THE SUSPENSION.
- TO MAKE FINE ADJUSTMENTS IN RIDE HEIGHT LOOSEN MOUNTING NUTS AND ROTATE VALVE BODY.
- USE AKH-227 HEIGHT CONTROL VALVE KIT FOR T MODEL SUSPENSIONS.
- ALL ITEMS SHIPPED UNASSEMBLED. FITTINGS, NUTS AND BOLTS TO BE PLACED IN A PLASTIC BAG.

OPERATION:

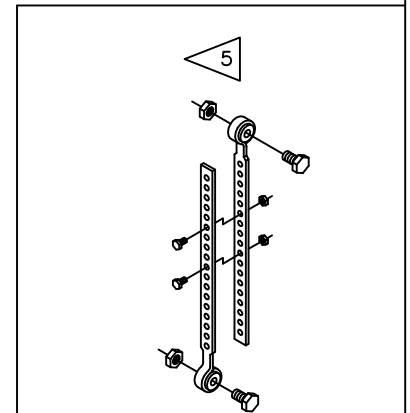
VALVE ARM HORIZONTAL
FRAME IS AT PRESET HEIGHT
NO AIR FLOW OCCURRING.

VALVE ARM DOWN
FRAME IS HIGH, AIR SPRINGS
ARE EXHAUSTED UNTIL ARM
IS HORIZONTAL.

VALVE ARM UP
FRAME IS LOW, AIR SPRINGS
ARE INFLATED UNTIL ARM
IS HORIZONTAL.

FUNCTION:

AUTOMATIC HEIGHT CONTROL.
AUTOMATIC SUSPENSION DUMP.



<p>HENDRICKSON TRAILER COMMERCIAL VEHICLE SYSTEMS 2070 INDUSTRIAL PLACE S.E., CANTON, OH 44707-2600 U.S.A.</p>	UNLESS OTHERWISE NOTED: TOLERANCES ARE: .X: ± .1 .XX: ± .06 .XXX: ± .030 ANGULAR: ± 0.5°		DIMENSIONS ARE: INCHES 7a 25944 SRP 11-7-16 7 16040 PSO 10-12-07 6 15594 CDR 6/5/07 5 13023 CDR 2/25/04		DRAWN BY: L. WILSON DATE: 1-27-99 CHK'D BY: G. SHENKLE DATE: 2-11-99 APP'D BY: J. CERVANTEZ	THIS DRAWING IS THE CONFIDENTIAL PROPERTY OF HENDRICKSON	NON DELAY HCV KIT FOR HT & HS SUSPENSIONS C-24789	SCALE: NTS 7a	PAGE: 2 OF 2
	DIMENSIONS ADHERE TO ANSI Y14.5M-1982		REV. ECN NO. BY DATE	DRAWING No. C-24789					