

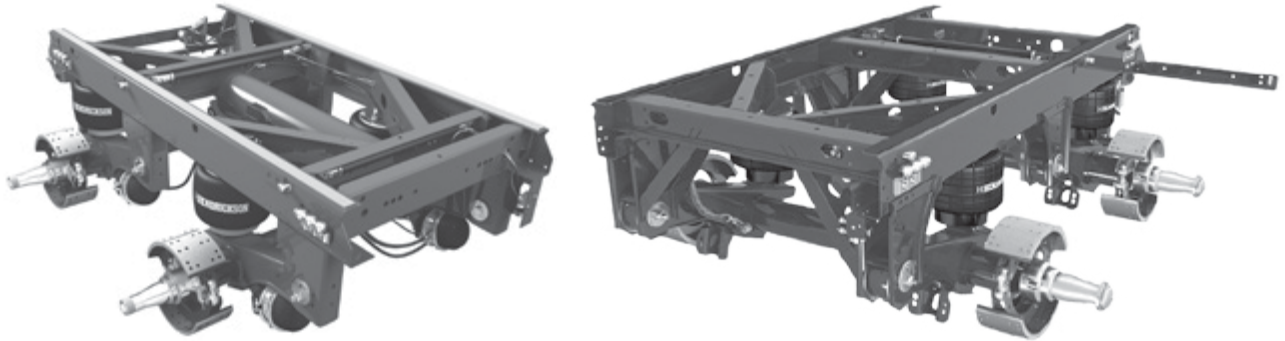
H AVAILABLE LITERATURE TRAILER SUSPENSION SYSTEMS

SUBJECT: Slider Suspension Installation
Information and Requirements

LIT NO: L1074

DATE: June 2016

REVISION: F



To assist with installation, operation, warranty matters, maintenance and other facets of your slider suspension, Hendrickson has made the following literature and installation drawings available on our website at

www.Hendrickson-intl.com/TrailerLit:

APPLICABLE LITERATURE

<u>B31</u>	Torque Specifications	<u>L874</u>	Pre-aligned VANTRAAX Alignment Verification Procedure
<u>L64</u>	Welding Procedures	<u>L900</u>	Slider Pin Orientation
<u>L388</u>	Ride Height Settings	<u>L926</u>	Factory-torqued Curbside Pivot Connection
<u>L459</u>	Checking Trailer Ride Height	<u>L974</u>	Drum Brake Maintenance Procedures (for air disc brake maintenance procedures, refer to the brake caliper manufacturer)
<u>L498</u>	SURELOK® Operator's Manual	<u>T12004</u>	Softcoat/Hot Wax Maintenance Procedures
<u>L578</u>	Suspension Inspection and Lubrication Guide	<u>T19002</u>	Patent List (available online at www.hendrickson-intl.com/patent)
<u>L579</u>	Alignment Procedures	<u>T51002</u>	TIREMAAX® CP & PRO Installation, Service and Troubleshooting Procedures
<u>L583</u>	Comprehensive Warranty Statement for United States and Canada	<u>T81001</u>	ZMD Air Spring Retrofit Kit
<u>L668</u>	Non-Delay Height Control Valve Installation Procedure (Barksdale valve)	<u>T82003</u>	ULTRAA-K® Frame Bracket Alignment Slot Repair
<u>L785</u>	Pre-aligned VANTRAAX® Warranty Update	<u>T91004</u>	ULTRAA-K Pivoting Mud Flap Installation
<u>L819</u>	VANTRAAX HRRNT 40K / HRRT 50K Warranty Statement		
<u>L738</u>	QUIK-DRAW® Operating, Maintenance and Retrofit Procedures		
<u>L832</u>	VANTRAAX QUIK-DRAW Operating Instructions		
<u>L839</u>	Reapplying Axle Sealant Procedure		

Continued on back...

K-2® VAN SLIDER INSTALLATION DRAWING MATRIX ¹

SUSPENSION MODEL	INSTALLATION	DST® ²	SURELOK® PLUMBING	COMMON COMPONENTS
HKAL	D-27517			D-25266
HKANL	D-30587			
HKARL	D-26196			
HKANT	D-28623	D-27267	B-23656	
HKAT	D-25961			
HTHKA	D-24856			
HS	D-22265			
HRRT ³	D-27394			
HRRNT ³				
ULTRAA-K	D-34856			

¹ Installation drawings for other slider models are part number specific. Please contact your Customer Service Representative for assistance.

² Dock Stabilizing Technology™ (DST®) plumbing.

³ 8-INCH K-2® for railroad.

INTRAAX®-SP PLATFORM SLIDER INSTALLATION DRAWING MATRIX

SUSPENSION MODEL	SINGLE	TANDEM	TRIDEM	COMMON COMPONENTS
AAZNT	D-27452	D-27108	D-32782	D-25266
AAZL	D-27785	D-27874		

Z-RAIL PLATFORM SLIDER INSTALLATION DRAWING MATRIX

SUSPENSION MODEL	SINGLE
HTZUS	D-28439

IMPORTANT: To ensure proper suspension safety, operation and performance, as well as warranty coverage, the above applicable installation and maintenance requirements must be followed.

For any questions on suspension literature or installation drawings, contact **Hendrickson Trailer Technical Services**, in the United States and Canada at 866-RIDEAIR (743-3247) or e-mail HTTS@Hendrickson-intl.com.

Call Hendrickson at **866.RIDEAIR (743.3247)** for additional information.



www.hendrickson-intl.com

TRAILER COMMERCIAL VEHICLE SYSTEMS
 2070 Industrial Place SE
 Canton, OH 44707-2641 USA
 866.RIDEAIR (743.3247)
 330.489.0045 • Fax 800.696.4416

Hendrickson Canada
 250 Chrysler Drive, Unit #3
 Brampton, ON Canada L6S 6B6
 800.668.5360
 905.789.1030 • Fax 905.789.1033

Hendrickson Mexicana
 Circuito El Marqués Sur #29
 Parque Industrial El Marqués
 Pob. El Colorado, Municipio El Marqués,
 Querétaro, México C.P. 76246
 +52 (442) 296.3600 • Fax +52 (442) 296.3601