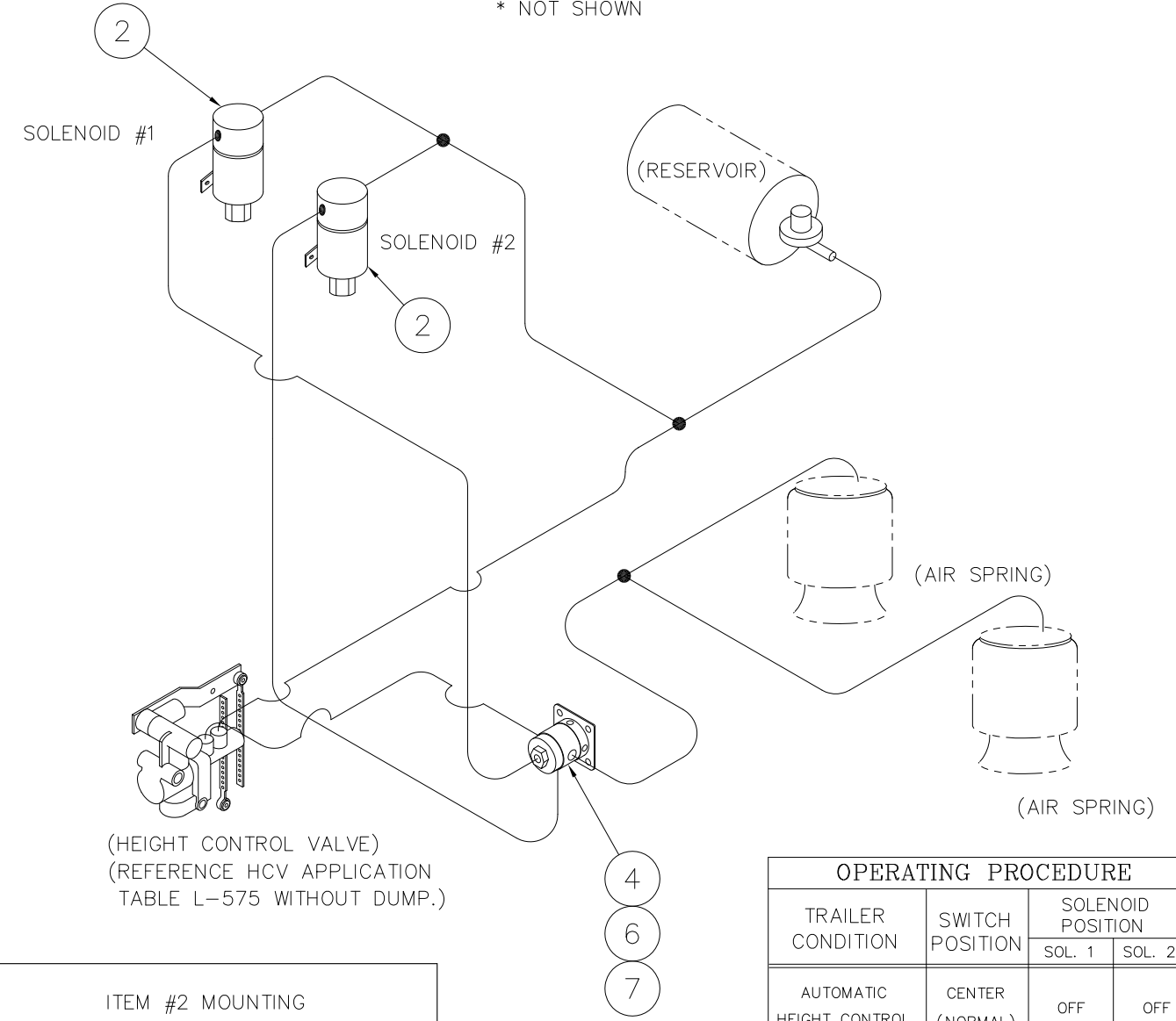


ITEM	PART NO.	DESCRIPTION	QTY.
1	A-8823	SWITCH	1
2	A-24796	3-WAY SOLENOID VALVE	2
3	L-745	ELECTRIC RAISE/LOWER KIT DECAL	1
4	A-23588	AIR PILOTED VALVE (3-WAY)	1
5*	DWG C-11572	AK-118 AIR KIT DRAWING	1
6*	A-27360	BARBED TUBE FITTING	1
7*	A-27361	3/8" ID TUBE	1

* NOT SHOWN

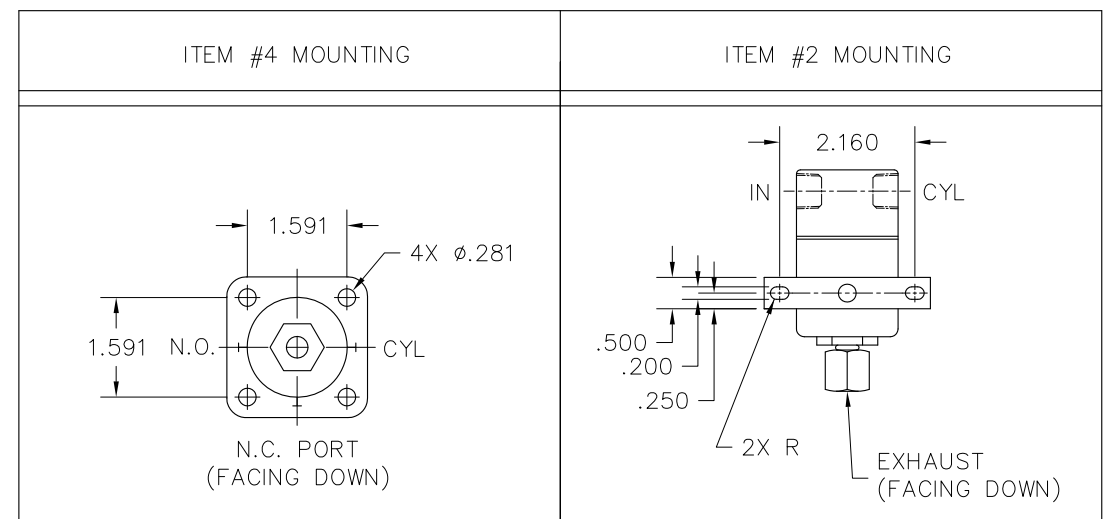


- NOTES:**
- DO NOT ADD LUBRICATION TO AIR SYSTEM.
 - ALL CONNECTIONS MUST BE LEAK PROOF.
 - AVOID BENDS IN AIR LINES.
 - AIR LINE FITTINGS AND LINES TO BE FURNISHED BY INSTALLER. 3/8" O.D. POLYIMIDE TUBING.
 - APPLICATION - ALL SUSPENSION MODELS.

FUNCTION:
NON-ADJUSTABLE ELECTRIC RAISE/LOWER OPTION USED WITH L-575 AIR KITS WITHOUT DUMP VALVE.

TRAILER CONDITION	SWITCH POSITION	SOLENOID POSITION	
		SOL. 1	SOL. 2
AUTOMATIC HEIGHT CONTROL	CENTER (NORMAL)	OFF	OFF
RAISED	UP	ON	ON
LOWERED	DOWN	ON	OFF

This Print remains the property of Hendrickson. All information contained thereon is confidential. It is loaned, subject to return on demand and on express condition that it is not to be copied or used directly or indirectly for any purpose other than the purpose for which it has been loaned to you.



	UNLESS OTHERWISE NOTED: TOLERANCES ARE: .XX: ± .06 .XXX: ± .030 ANGULAR: ± 0.5°		DIMENSIONS ARE: INCHES		8 12654 CDR 8-22-03	DATE 12-17-90	THIS DRAWING IS THE CONFIDENTIAL PROPERTY OF HENDRICKSON	SCALE 1.00=1.00 (SIZE)	PAGE 1 OF 1 DRAWING No.
	2070 INDUSTRIAL PLACE S.E. CANTON, OH 44707-2600 U.S.A.	DIMENSIONS ADHERE TO ANSI Y14.5M-1982	7 10198 PJB 10-3-00 6 8091 LDW 5-13-99 5 7420 EEM 6-11-98	DRAWN BY J. BURGESS CHK'D BY 12-27-90 J. SUKOSD APP'D BY R. FRANKS	AIR CONTROL KIT AK-118	C-11572			