

H PARTS LIST

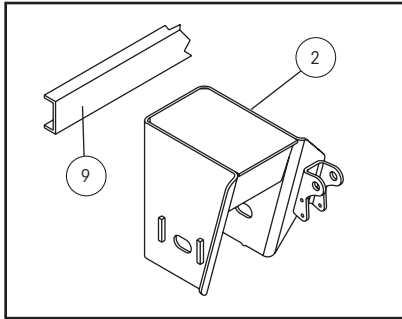
INTRAAX® AAL 23K / 25K / 30K

LIT NO: L1060

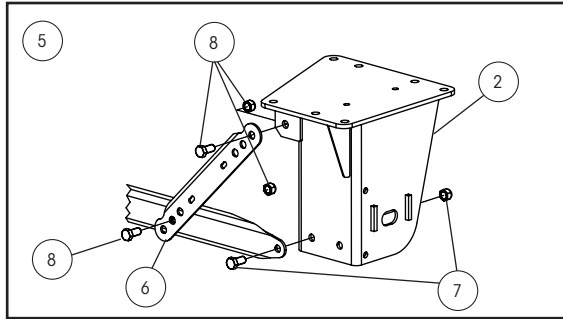
DATE: June 2016

REVISION: A

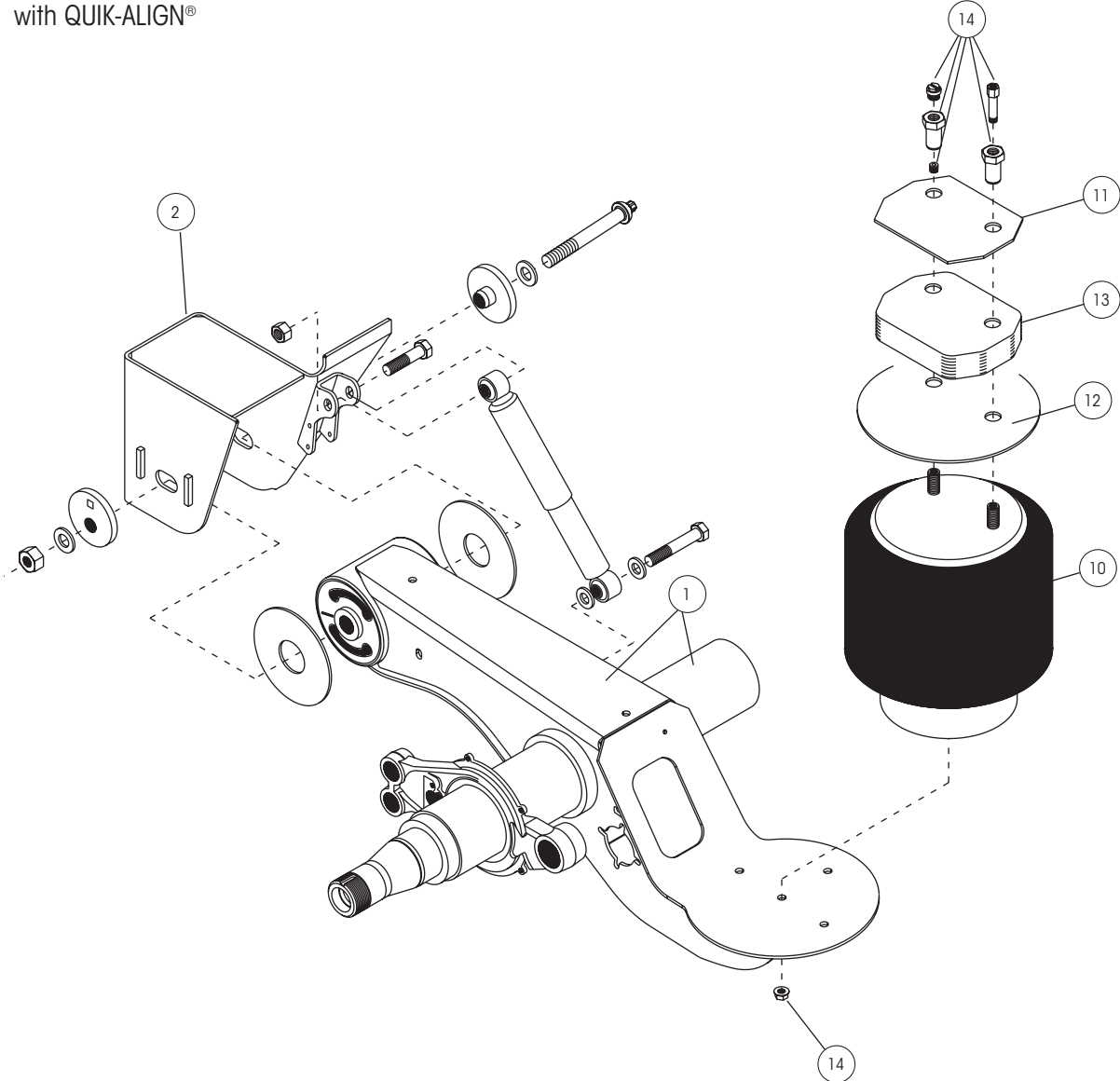




Wingless, weld-on frame bracket with QUIK-ALIGN®



Wingless, bolt-on frame bracket with QUIK-ALIGN®





INTRAAX® AAL 23K / 25K / 30K PARTS LIST

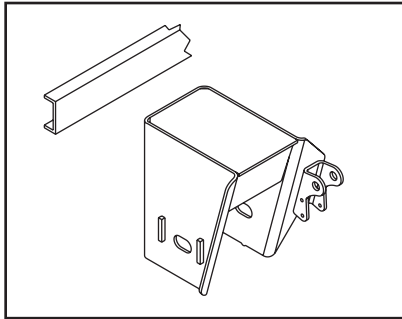
ITEM	DESCRIPTION	PART NO.	QTY.	NOTE	
1	AXLE / BEAM WELDMENT	HTRAAX.###	1	Contact Hendrickson for assistance	
2	FRAME BRACKET ¹			See L1266 Frame Bracket Parts List	
3	FRAME BRACKET GUSSET (Not Shown)	S-27730	2	9" - 17" ride height	
4	FRAME BRACKET BRACE (Not Shown)	B-2347-7	1	Used for 19" ride height	
5	BOLT-ON C-CHANNEL KIT ²				
	71.5" Track	S-31901-3C	1	Standard/black primer; includes c-channel, 2 struts and strut bolt kit	
	77.5" Track	S-31901-1C	1	Standard/black primer; includes c-channel, 2 struts and strut bolt kit	
6	STRUT ²	B-30591	2		
7	C-CHANNEL BOLT KIT	S-29822	1	Includes 2 screws and 2 prevailing torque nuts	
8	STRUT BOLT KIT	S-30720	1	Includes 6 screws and 6 prevailing torque nuts	
9	WELD-ON C-CHANNEL				
	71.5" - 77.5" Tracks	A-1631-19	1		
	83.5" - 85" Tracks	A-1631-35	1		
10	AIR SPRING (Standard Pressure)				
		23K	25K	30K	
	6.5" - 7.5" Ride heights	S-23720	S-23721	—	2
	8" - 9" Ride heights	S-23613	S-23611	S-25871	2
	12" - 19" Ride heights	S-23614	S-23612	S-25872	2
11	AIR SPRING MOUNTING PLATE ³ (Standard travel; Standard air spring mounting)				
	14" - 16" Ride heights	S-20905	2	Weld-on hangers	
	14" - 16" Ride heights	S-21145	2	Bolt-on hangers	
12	AIR SPRING FLEX PLATE ³ (Standard travel; Standard air spring mounting)				
	9" - 19" Ride heights	S-23294	2	Weld-on and bolt-on hangers	
	12" Ride heights	B-24813	2	Bolt-on hangers	
13	AIR SPRING SPACER ³ (Standard travel; Standard air spring mounting)				
	14" Ride height	B-22510-4	2	Weld-on and bolt-on hangers	
	15" and 16" Ride heights	B-22510-3	2	Weld-on and bolt-on hangers	
	17" Ride height	D-27049-5	2	Weld-on hangers	
	19" Ride height	D-27049-4	2	Weld-on hangers	
14	AIR SPRINGS MOUNTING KIT ³ (Standard Travel)			One (1) kit per air spring	
	9" - 12" Ride heights	S-25452/2	2		
	14" Ride heights	S-25453/2	2		
	15" - 16" Ride heights	S-25455/2	2		
	17" - 19" Ride heights	S-25452/2	2		

1. Options exist based on frame attachment, frame bracket style, bolt hole pattern and connection. Contact Hendrickson for assistance or refer to L1266 Frame Bracket Parts List.

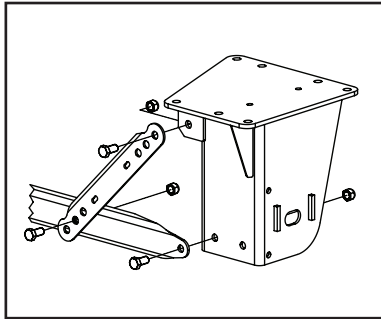
2. Struts are only optional for bolt-on frame brackets. Other options exist for galvanized or different track widths.

3. Other options exist. Contact Hendrickson for assistance.

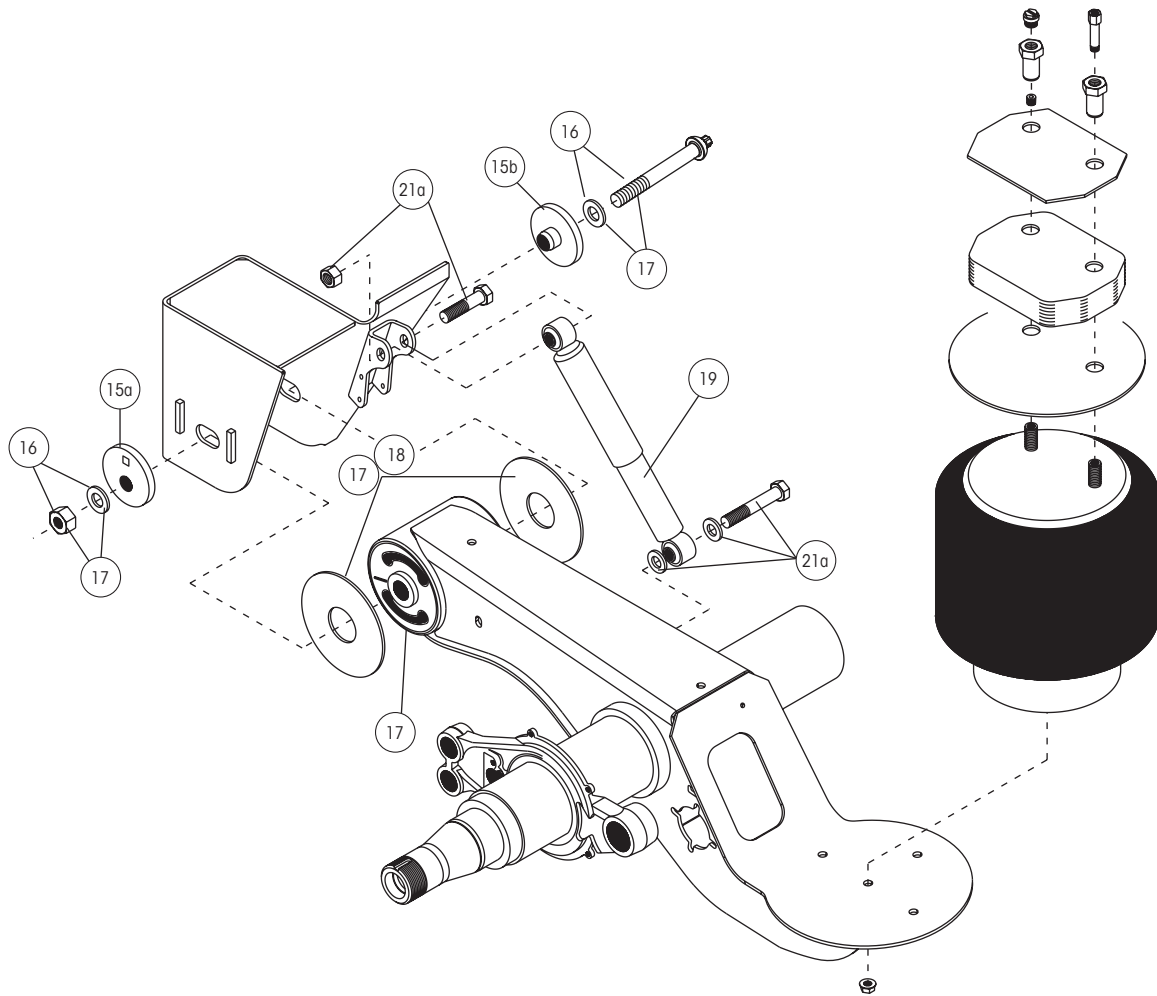
Note: Identification tag can be found on the inside of the curbside beam.



Wingless, weld-on frame bracket with QUIK-ALIGN®



Wingless, bolt-on frame bracket with QUIK-ALIGN®





INTRAAX® AAL 23K / 25K / 30K PARTS LIST

ITEM	DESCRIPTION	PART NO.	QTY.	NOTE
15	ALIGNMENT COLLARS			
	15a Eccentric	S-20925	2	Pivot bolt hole is offset from center of collar
	15b Concentric	S-20924	2	Pivot bolt hole is in center of collar
16	QUIK-ALIGN® PIVOT BOLT KIT⁴	S-24679	2	Includes 10" bolt, hexnut and (2) hardened washers
17	TRI-FUNCTIONAL® BUSHING KIT^{4, 5}	S-24691	2	Includes (1) TRI-FUNCTIONAL Bushing, (1) pivot bolt kit, (2) bushing tube spacers and lube packet
18	BUSHING TUBE SPACERS	S-21099	4	
19	FRONT SHOCK ABSORBER			
	6.5" - 9" Ride heights	S-23651	2	Standard travel, standard duty cycle
	6.5" - 9" Ride heights	S-24579	2	Standard travel, extended service
	12" Ride height	S-23566	2	Standard travel, standard duty cycle
	12" Ride height	S-24023	2	Standard travel, extended service
	14" - 19" Ride heights	S-2212	2	Standard travel, standard duty cycle
	14" - 19" Ride heights	S-23316	2	Standard travel, extended service
20	REAR SHOCK ABSORBER (not shown)			
	6.5" - 7.5" Ride heights	S-20345	2	
	9" - 12" Ride heights	S-25436	2	
	14" - 17" Ride heights	S-25437	2	
21	SHOCK BOLT KIT			
		5-inch	LDA™	
	21a Front shock absorber	S-24757/2	S-31080/2	2 (1) One kit per shock
	21b Rear shock absorber (not shown)	S-2157/2	S-2157/2	2 (1) One kit per shock

4. Best installed with Hendrickson's E-20 socket S-24536 (1-inch drive sleeveless), S-25119 (1-inch drive sleeve) or S-24303 (3/4-inch drive sleeveless).
5. Bushing tool S-21307 is required to correctly rebush the suspension.

Call your trailer dealer or Hendrickson at **330.489.0045** or **866.RIDEAIR (743.3247)** for additional information.



www.hendrickson-intl.com

TRAILER COMMERCIAL VEHICLE SYSTEMS

2070 Industrial Place SE
Canton, OH 44707-2641 USA
866.RIDEAIR (743.3247)
330.489.0045 • Fax 800.696.4416

Hendrickson Canada

250 Chrysler Drive, Unit #3
Brampton, ON Canada L6S 6B6
800.668.5360
905.789.1030 • Fax 905.789.1033

Hendrickson Mexicana

Circuito El Marqués Sur #29
Parque Industrial El Marqués
Pob. El Colorado, Municipio El Marqués,
Querétaro, México C.P. 76246
+52 (442) 296.3600 • Fax +52 (442) 296.3601