

This print remains the property of Hendrickson. All information contained herein is confidential. It is loaned, subject to return on demand, and on the express condition that it is not to be copied or used directly or indirectly for any purpose other than the purpose for which it has been loaned to you.

**NOTES:**

- DO NOT ADD LUBRICATION TO AIR SYSTEM
- ALL CONNECTIONS MUST BE LEAK PROOF.
- AVOID BENDS IN AIR LINES.
- DO NOT OVER TIGHTEN LINK MOUNTING BOLTS. THE LINK SHOULD PIVOT FREELY ABOUT THE BOLT. THE LINK, WHEN PROPERLY INSTALLED, SHOULD APPEAR VERTICAL WHEN VIEWING IT FROM THE FRONT OF THE SUSPENSION.
- TO MAKE FINE ADJUSTMENTS IN RIDE HEIGHT LOOSEN HCV MOUNTING NUTS AND ROTATE VALVE BODY.
- ALL ITEMS SHIPPED UNASSEMBLED. FITTINGS, NUTS, AND BOLTS TO BE PLACED IN A PLASTIC BAG.
- RECOMMENDED AIRLINE INSTALLATION TORQUE NOT TO EXCEED 7 FT-LB (9.5 N-M).
- PORT SIZES:  
 PPV: 1/4" NPTF SUPPLY AND OUTPUT PORTS.  
 HCV: 1/4" NPTF ALL PORTS.  
 MANIFOLDS: 1/4" NPTF ALL PORTS.
- THE FOLLOWING AIR TANK CAPACITIES ARE RECOMMENDED AS MINIMUMS. CHECK LOCAL REGULATIONS FOR MINIMUM AIR CAPACITY REQUIREMENTS:  
 a. 2 AXLE: 3050 in<sup>3</sup> [50L]  
 b. 3 AXLE: 4575 in<sup>3</sup> [75L]  
 c. 4 AXLE: 6100 in<sup>3</sup> [100L]

**OPERATION:**

**VALVE ARM HORIZONTAL:**  
 FRAME IS AT PRESET HEIGHT  
 NO AIR FLOW OCCURRING.

**VALVE ARM DOWN:**  
 FRAME IS HIGH, AIR SPRINGS  
 ARE EXHAUSTED UNTIL ARM  
 IS HORIZONTAL.

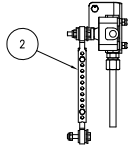
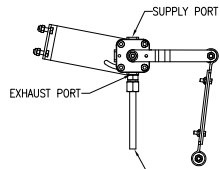
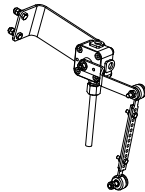
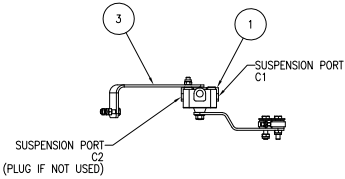
**VALVE ARM UP:**  
 FRAME IS LOW, AIR SPRINGS  
 ARE INFLATED UNTIL ARM  
 IS HORIZONTAL.

**APPLICATION:**

- AKH0303-1: HCV, SINGLE, OR NO MANIFOLD.
- AKH0303-2: HCV, TANDEM.
- AKH0303-3: HCV, TRIDEM.
- AKH0303-4: HCV, QUAD.

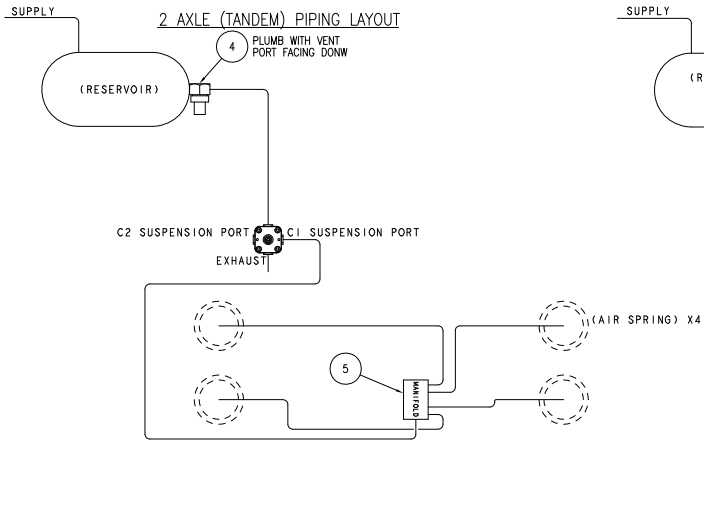
		AKH0303					
ITEM	PART NO.	DESCRIPTION	-1	-2	-3	-4	
1	A-28648	HCV-VALVE ONLY	1	1	1	1	
2	B-25647	LINK ASSEMBLY - FIXED LENGTH	1	1	1	1	
3	B-31489	HCV BRACKET	1	1	1	1	
4	A-1128	PPV	1	1	1	1	
5	B-32821	MANIFOLD, TRIDEM	-	-	1	-	
	B-32822	MANIFOLD	-	1	-	2	
*6	A-32616-1	HCV SUB-KIT, HSDS	1	-	-	-	
	A-32616-2	HCV SUB-KIT, HSDS	-	1	1	-	
*7	A-32616-3	HCV SUB-KIT, HSDS	-	-	-	1	
	DWG AKH0303	HCV KIT FOR HSDS	1	1	1	1	
*8	L-688	INSTALLATION INSTRUCTIONS	1	1	1	1	
			⊖ WEIGHT (KG)	0.96	1.17	1.26	1.38
			⊖ WEIGHT (LB)	2.11	2.59	2.77	3.04

\*NOT SHOWN

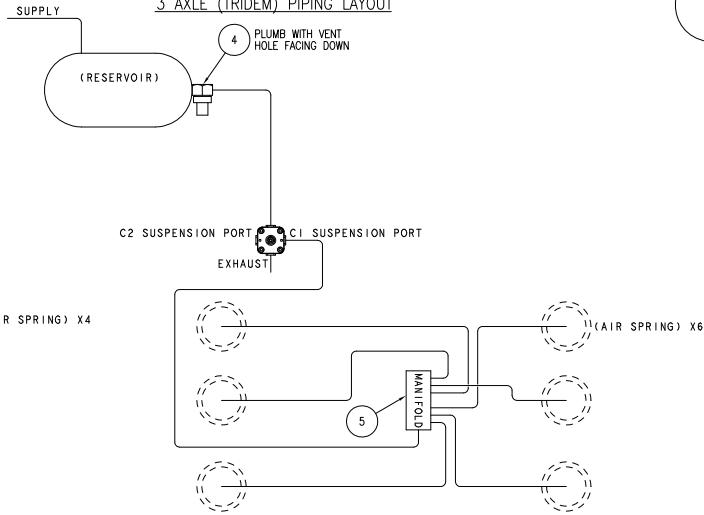


INSTALL SECTION OF TUBE THAT IS AT LEAST 4 in [10 cm] LONG TO EXHAUST PORT.

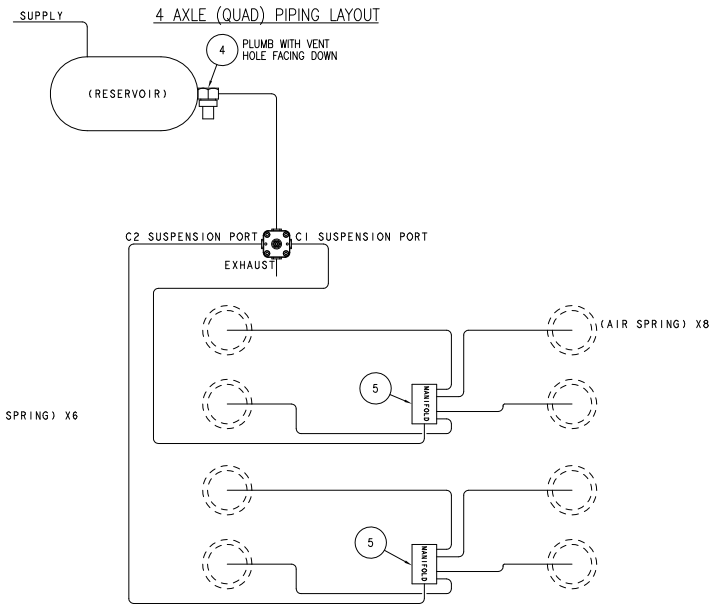
**2 AXLE (TANDEM) PIPING LAYOUT**



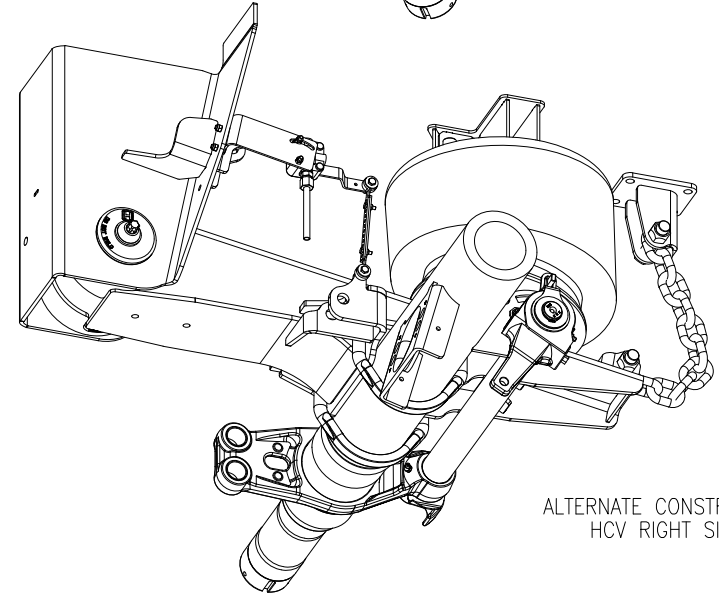
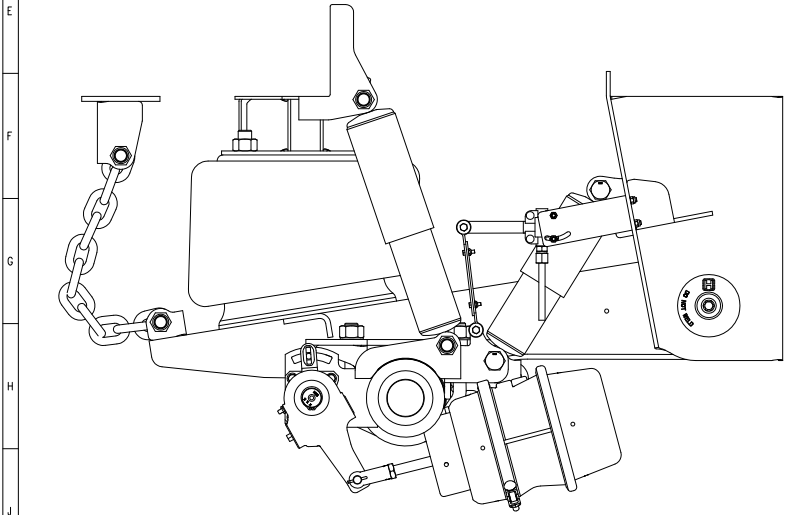
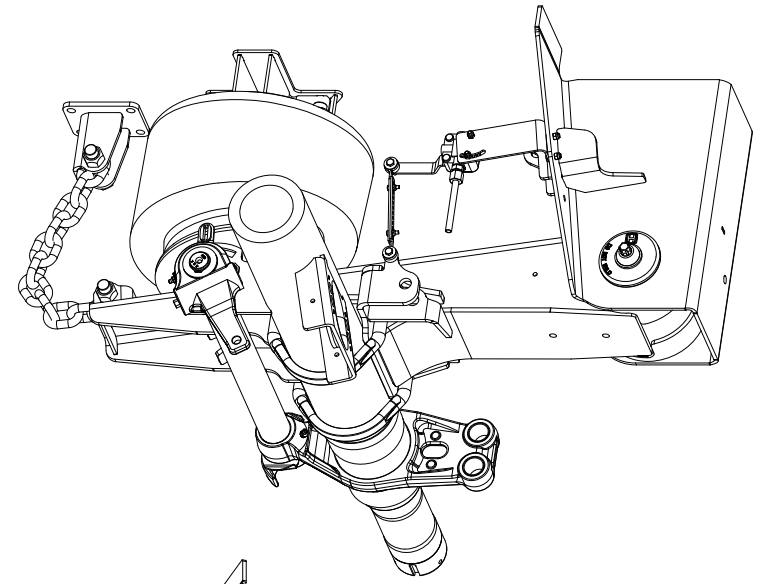
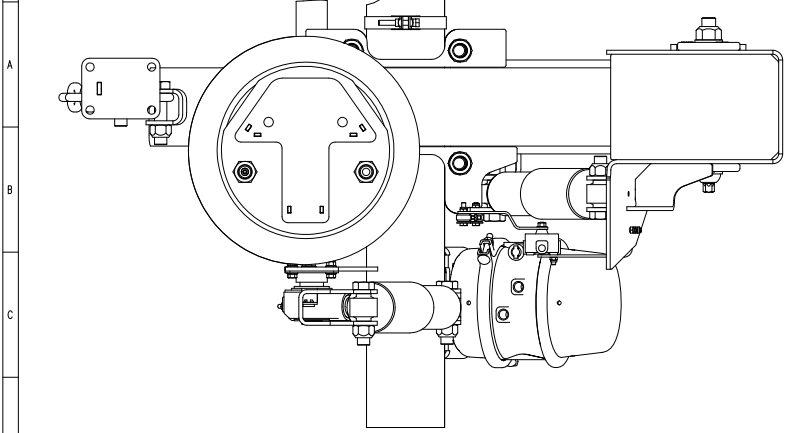
**3 AXLE (TRIDEM) PIPING LAYOUT**



**4 AXLE (QUAD) PIPING LAYOUT**



1 2 3 4 5 6 7 8 9 10 11 12 13 14 15 16



ALTERNATE CONSTRUCTION  
HCV RIGHT SIDE

This print remains the property of Hendrickson. All information contained herein is confidential. It is loaned, subject to return on demand, and on the express condition that it is not to be copied or used directly or indirectly for any purpose other than the purpose for which it has been loaned to you.

<b>HENDRICKSON</b> TRAILER COMMERCIAL VEHICLE SYSTEMS 200 WASHINGTON ROAD SE, CANON, MI 48106-0001, USA	UNLESS OTHERWISE NOTED: DIMENSIONS ARE: ———— INCHES/——— MM XX: ± .25 XXX: ± .030 ANGULAR: ± .02° DIMENSIONS REFER TO DIM 114.036-1192		DWN BY: A. BRUGGER DES: 07-May-12	DATE: 1-4 PNC: 2 OF 2
	1 24297 SS 05-20-13 2 21176 A.S. 05-11-13 REV: ECH NO. BY DATE	DESIGNED BY: C. RADCLIFF CHECKED BY: M. OYSTER	THE DRAWING IS THE OWNERSHIP PROPERTY OF HENDRICKSON	HCV KIT FOR HSDS D AKH0303