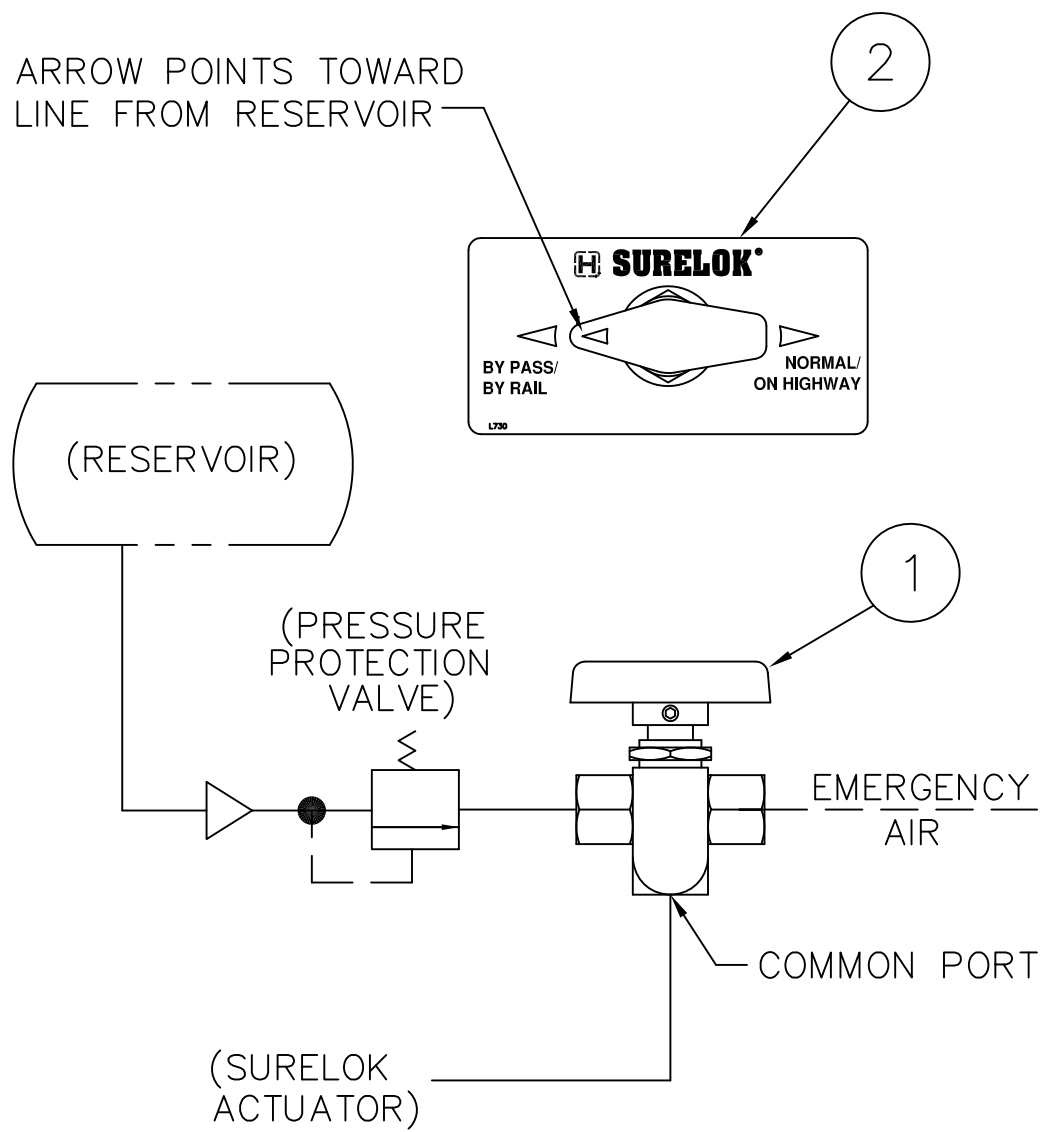
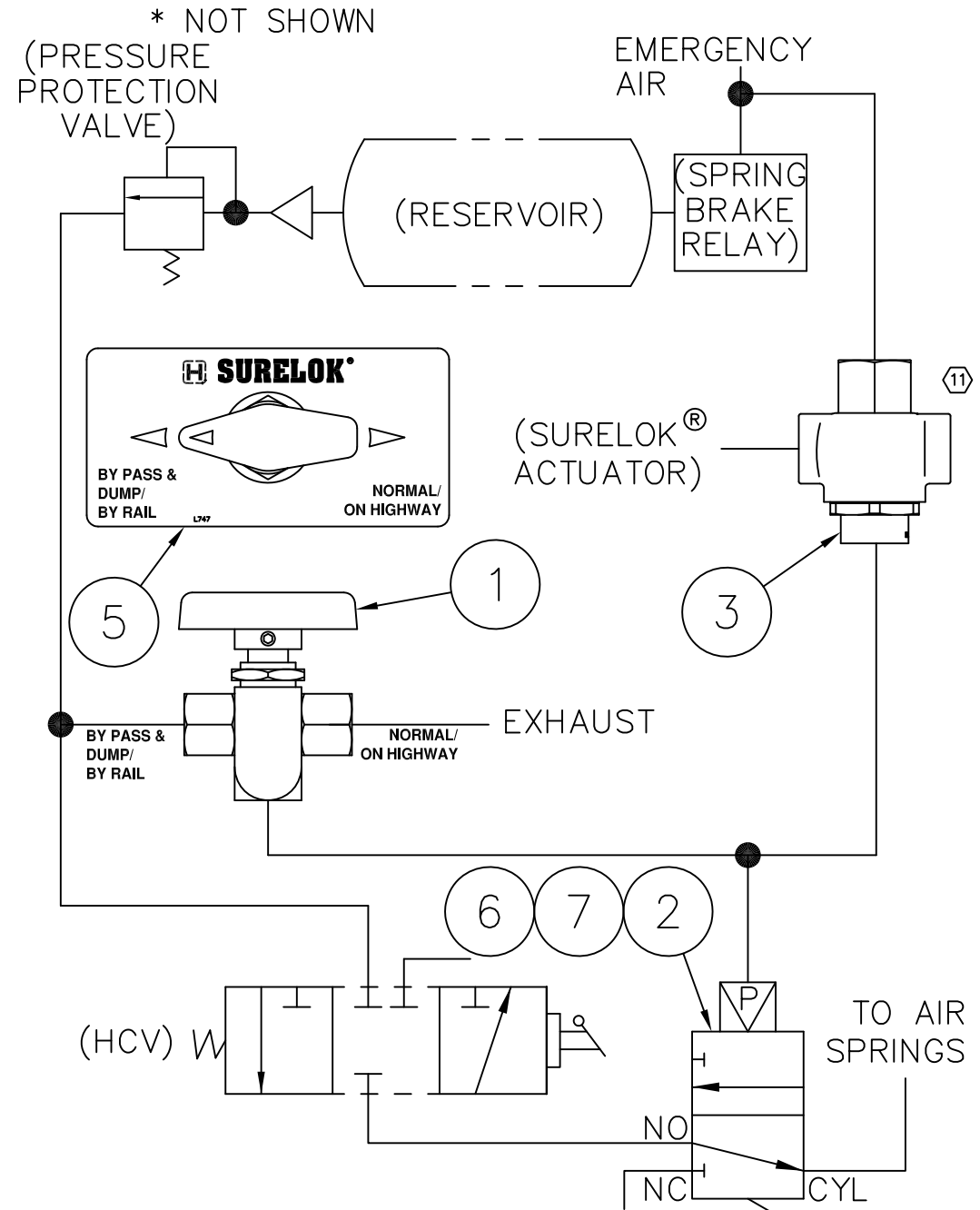


ITEM	PART NO.	DESCRIPTION	QTY.	ITEM	PART NO.	DESCRIPTION	QTY.	ITEM	PART NO.	DESCRIPTION	QTY.
1	A-22535	3-WAY BALL VALVE	1	1	A-22535	3-WAY BALL VALVE	1	1	DWG B-23656	SURELOK® PLUMBING SCH.	1
2	L730	SURELOK® BY PASS DECAL	1	2	A-23588	AIR PILOT VALVE	1				
3	DWG B-23656	SURELOK® PLUMBING SCH.	1	3	A-24988	2-WAY CHECK VALVE	1				
		WEIGHT (LB)	.31	4	DWG B-23656	SURELOK® PLUMBING SCH.	1				
				5	L747	SURELOK® LABEL	1				
				6*	A-27360	BARBED TUBE FITTING	1				
				7*	A-27361	3/8" ID TUBE	1				
						WEIGHT (LB)	1.58				

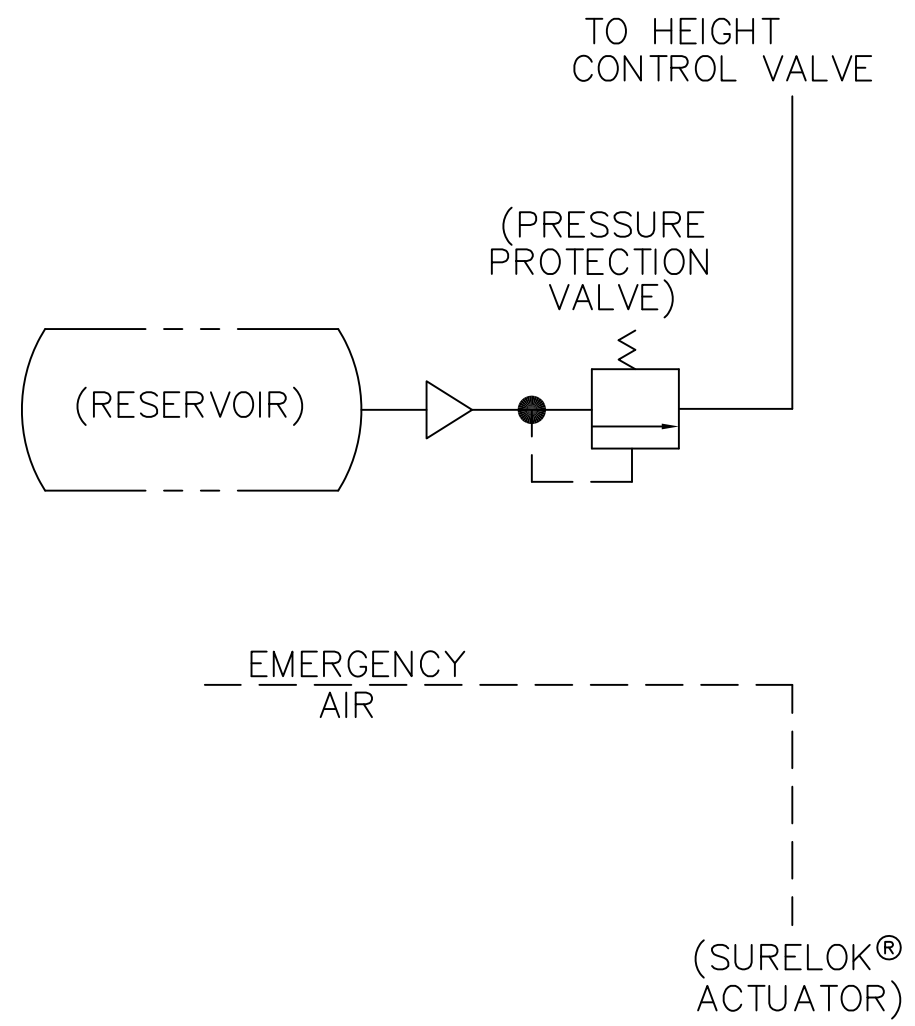
This Print remains the property of Hendrickson. All information contained thereon is confidential. It is loaned, subject to return on demand and on express condition that it is not to be copied or used directly or indirectly for any purpose other than the purpose for which it has been loaned to you.



AK-185 - BYPASS VALVE



AK-198 - BYPASS VALVE W/ DUMP



NO BYPASS VALVE



2070 INDUSTRIAL PLACE S.E. CANTON, OH 44707-2600 U.S.A.

UNLESS OTHERWISE NOTED:
 TOLERANCES ARE
 .X: ± .1
 .XX: ± .06
 .XXX: ± .030
 ANGULAR: ± 0.5°
 DIMENSIONS ARE:
 INCHES
 3RD ANGLE PROJECTION
 DIMENSIONS ADHERE TO ANSI Y14.5M-1982

11	14682	LMK	3-23-06
10	14193	CLA	9-13-05
9	13869	KVP	04-13-05
7a	13681	PJB	2-10-05
REV.	ECN NO.	BY	DATE

DRAWN BY: K. GALIGHER
 DATE: 2-13-98
 CHK'D BY: J. SUKOSD
 3-19-98
 APP'D BY: T. HESS

THIS DRAWING IS THE CONFIDENTIAL PROPERTY OF HENDRICKSON

SURELOK® PLUMBING SCH.

SCALE: 1.00=1.00 (SIZE)
 PAGE: 1 OF 1
 DRAWING No.: B-23656