

# **H** PARTS LIST

HS190T / HS230 / HS300T

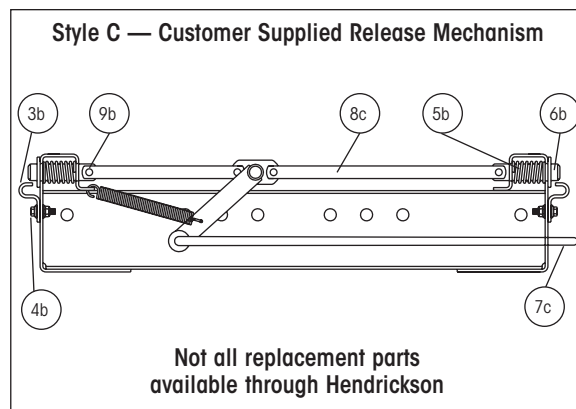
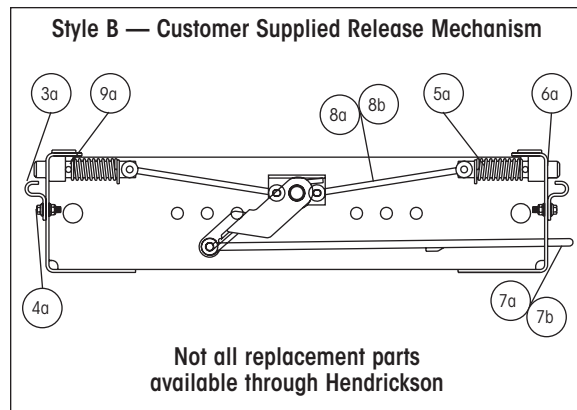
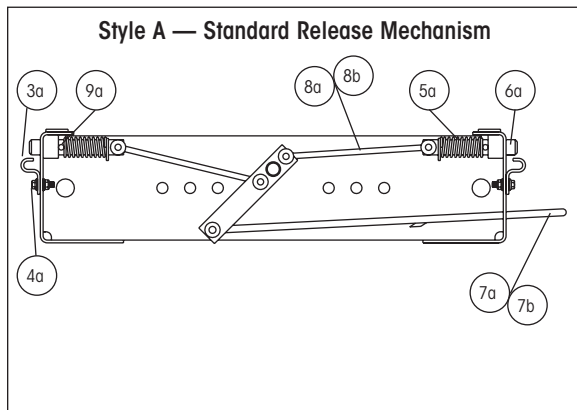
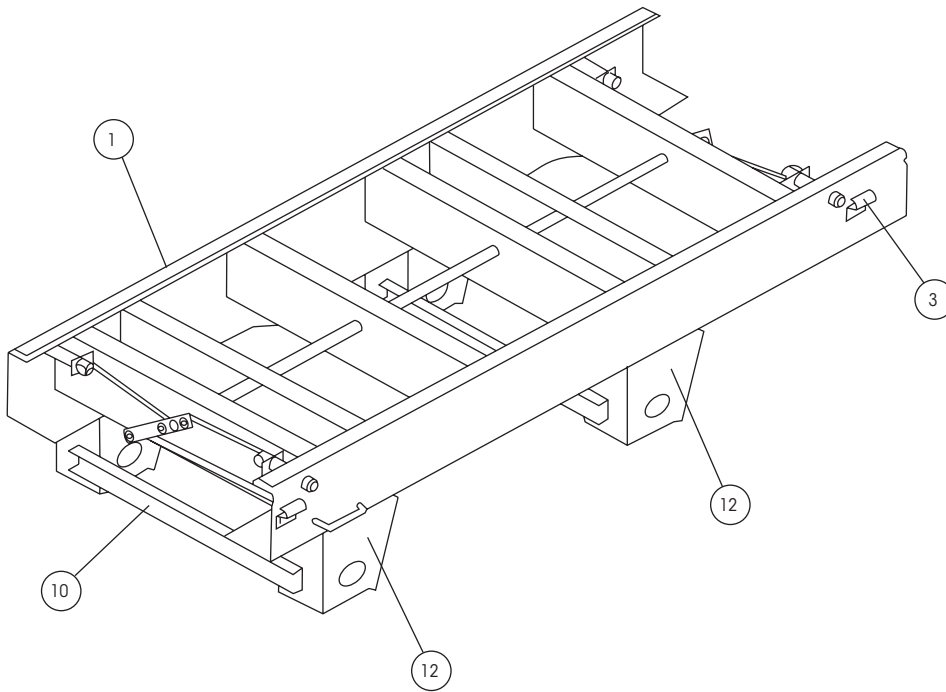
LIT NO: L1085

DATE: January 2014

REVISION: A

---

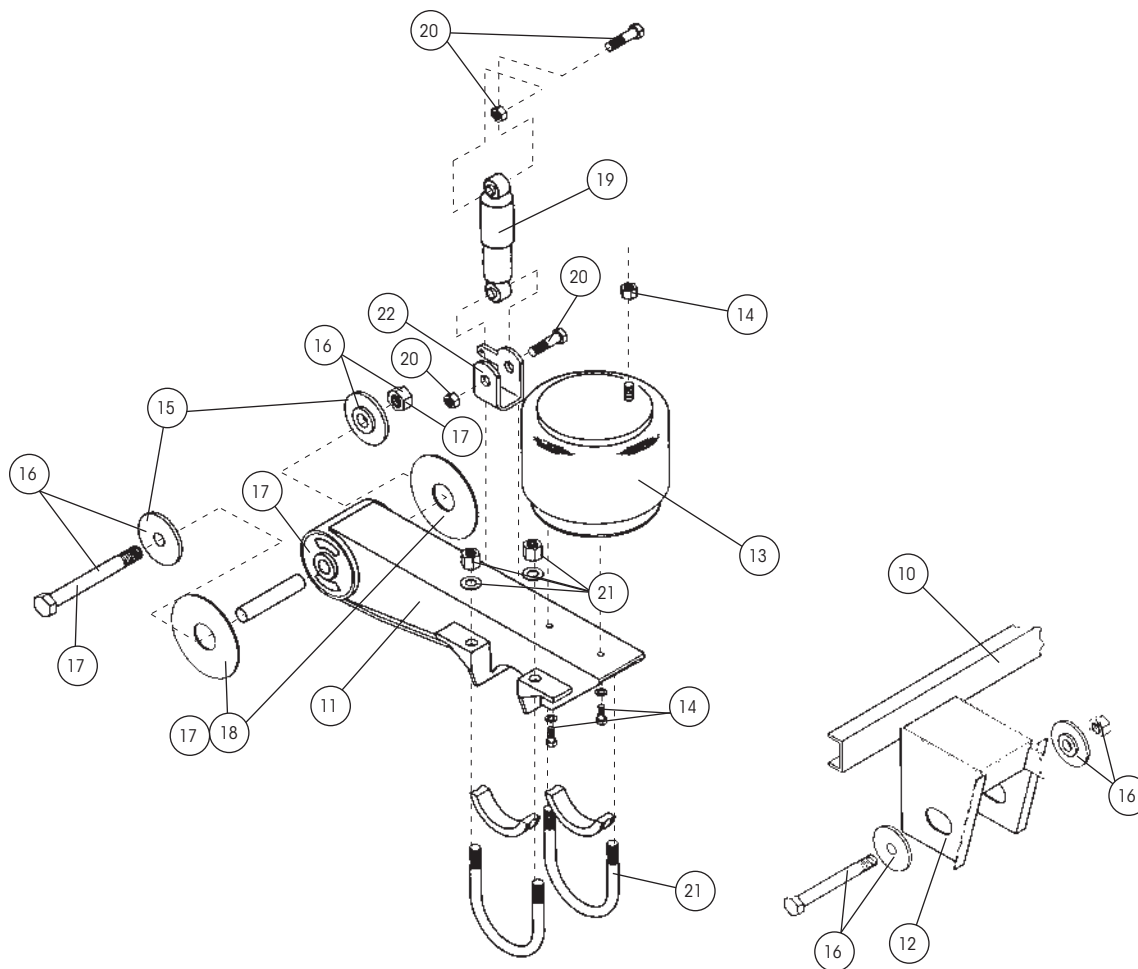






# HS190T / HS230 / HS300T SLIDER BOX COMPONENTS

ITEM	DESCRIPTION	PART NO.	SYSTEM QTY.	NOTE
<b>1</b>	<b>SLIDER WEAR PAD KIT</b>			
	1a 49" axle centers	S-14342-1	2	Includes (1) wear pad and (8) screws
<b>2</b>	<b>WEAR PAD SCREW</b> (not shown)	A-29372	16	
<b>3</b>	<b>BODY RAIL CLIP</b>			
	3a Style A and Style B	S-14108	4	Hole centers measure 1-1/2"
	3b Style A and Style B	S-22366	4	Hole centers measure 2"
	3c Style C	9635-00		Hole centers measure 4"; includes rail clip bolt. Contact Hendrickson for assistance
<b>4</b>	<b>BODY RAIL CLIP BOLT</b>			
	4a Style A and Style B	SA-6900-2	8	1/2"-13 x 1-1/2" flanged bolt, grade 8
	4b Style C	N/A		Included in part # 9635-00
<b>5</b>	<b>LOCKING PIN SPRING</b>			
	5a Style A and Style B	S-14102	4	
	5b Style C	12779-01		Contact Hendrickson for assistance
<b>6</b>	<b>LOCKING PIN</b>			
	6a Style A and Style B	S-14104	4	
	6b Style C	12716-01		Contact Hendrickson for assistance
<b>7</b>	<b>ACTUATOR ARM</b>			
	7a Style A — 42" box width	S-26010-2	1	
	Style B — 42" box width	B-14573-2	1	
	7b Style A — 48" box width	S-26010-1	1	
	Style B — 48" box width	B-14573-2	1	
	7c Style C — 42" and 48" box widths	12781-01		Contact Hendrickson for assistance
<b>8</b>	<b>LOCKING PIN LINK</b>			
	8a Style A — 42" box width	B-14112-2	4	
	Style B — 42" box width	B-14112-4	4	
	8b Style A — 48" box width	B-14112-1	4	
	Style B — 48" box width	B-14112-3	4	
	8c Style C — 42" box width	11412-02		Contact Hendrickson for assistance
	Style C — 48" box width	11412-16		
<b>9</b>	<b>LOCKING PIN ROD</b>			
	9a Style A and Style B	S-14106	4	
	9b Style C	12780-1		Contact Hendrickson for assistance
<b>10</b>	<b>FRAME BRACKET CHANNEL</b>	A-1631-6	2	For units with welded alignment only
<b>11</b>	<b>BEAM ASSEMBLY</b> (see back page)			
	11a Front or Rear; overall length is 32.65"			
	Roadside	S-20000-1		Bushing included
	Curbside	S-20000-2		Bushing included
	11b Rear; overall length is 36.82"			
	Roadside	S-21736-1		For units equipped with SURELOK®. Bushing included
	Curbside	S-21736-2		For units equipped with SURELOK Bushing included
	11c Front or Rear; overall length is 34.57"			
	Roadside	S-20186-1		HS300T only
	Curbside	S-20186-2		HS300T only
<b>12</b>	<b>FRAME BRACKET</b> (see back page)			Contact Hendrickson for assistance
<b>13</b>	<b>AIR SPRING</b> (see back page)			
	13a HS190T Sliders	S-20223	4	
	13b HS230 Sliders	S-20010	4	
	13c HS300T Sliders	S-4771	4	
<b>14</b>	<b>AIR SPRING BOLT KIT</b> (see back page)			
	14a HS190T and HS230	S-20033/2	4	
	14b HS300T	S-4903	2	
<b>15</b>	<b>ALIGNMENT COLLARS</b> (see back page)			
	15a Welded alignment	S-2770	8	
	15b Eccentric (outer) QUIK-ALIGN®	S-20925	4	Pivot bolt hole is offset from center of collar
	15c Concentric (inner) QUIK-ALIGN	S-20924	4	Pivot bolt hole is in center of collar



ITEM	DESCRIPTION	PART NO.	SYSTEM QTY.	NOTE
16	<b>PIVOT BOLT KIT</b>			
	16a Welded alignment	S-3646	4	Includes bolt, nut and delrin liner
	16b QUIK-ALIGN <sup>1</sup>	S-24679	4	Includes bolt, HEXNUT and washers
17	<b>TRI-FUNCTIONAL<sup>®</sup> BUSHING KIT<sup>2</sup></b>			
	17a Welded alignment	S-6914	4	
	17b QUIK-ALIGN	S-24691	4	
18	<b>BUSHING TUBE SPACERS</b>	S-21099	8	
19	<b>SHOCK ABSORBER</b>			
	19a HS190T Sliders	S-20001	4	
	19b HS230 Sliders	S-20002	4	
	19c HS300T Sliders	S-20126	4	
20	<b>SHOCK ABSORBER BOLT KIT</b>	S-20031/2	4	
21	<b>U-BOLT KIT</b>	S-21140	2	
22	<b>LOWER SHOCK CLEVIS</b>	S-20069	4	

- Best installed with Hendrickson's E-20 socket S-24536 (1-inch drive sleeveless), S-25119 (1-inch drive sleeve) or S-24303 (3/4-inch drive sleeveless).
- Bushing tool S-21307 is required to correctly re-bush the suspension.

Call your trailer dealer or Hendrickson at **330.489.0045** or **866.RIDEAIR (743.3247)** for additional information.



[www.hendrickson-intl.com](http://www.hendrickson-intl.com)

#### TRAILER COMMERCIAL VEHICLE SYSTEMS

2070 Industrial Place SE  
Canton, OH 44707-2641 USA  
866.RIDEAIR (743.3247)  
330.489.0045 • Fax 800.696.4416

#### Hendrickson Canada

250 Chrysler Drive, Unit #3  
Brampton, ON Canada L6S 6B6  
800.668.5360  
905.789.1030 • Fax 905.789.1033

#### Hendrickson Mexicana

Circuito El Marqués Sur #29  
Parque Industrial El Marqués  
Pob. El Colorado, Municipio El Marqués,  
Querétaro, México C.P. 76246  
+52 (442) 296.3600 • Fax +52 (442) 296.3601