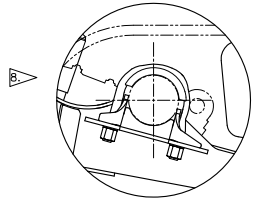
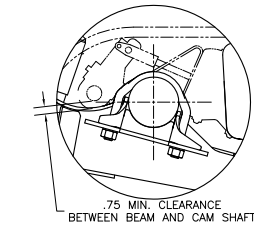


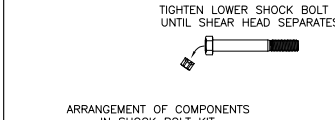
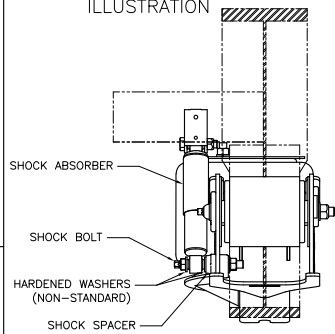
12.25" BRAKE SIZE ASSEMBLY
(17.5" TIRE SIZE)



ALTERNATE S-CAM LOCATION

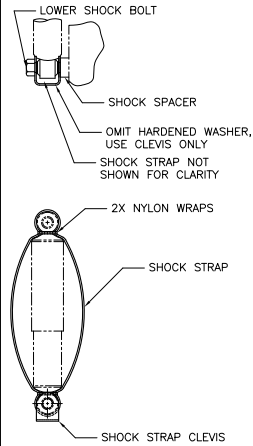


LOWER SHOCK MOUNTING
ILLUSTRATION



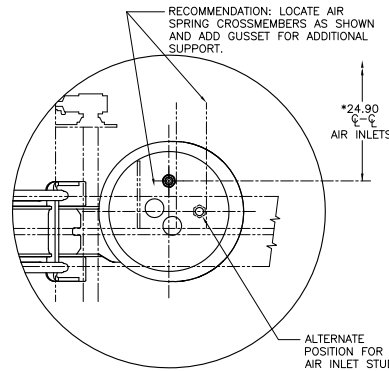
ARRANGEMENT OF COMPONENTS
IN SHOCK BOLT KIT

SHOCK STRAP
DETAIL



ARRANGEMENT OF COMPONENTS SHOCK
STRAP KIT

ROTATED STUD AIR SPRING



STANDARD TRAVEL DIMENSIONS (IN)			
DESCRIPTION	RIDE HEIGHT		
	6.5"	7.5"	9.0"
JOUNCE	3.4	3.9	4.8
BUMPER CONTACT	2.8	3.4	4.2
REBOUND	4.5	4.5	4.5
"E"	5.5	6.5	8.0
"H"	3.1	3.6	4.2
"J"	11.0	12.0	13.5

TORQUE SPECIFICATIONS		
DESCRIPTION	SIZE	TORQUE (FT-LB)
SHOCK BOLTS, UPPER	3/4-10	210-235
**SHOCK BOLTS, LOWER	3/4-16	210-235
AIR SPRING NUTS, UPPER	3/4-16	80-100
SHOCK BOLTS, LOWER	1/2-13	40-50
U-BOLTS	7/8-14	475-525

** USE SHEAR BOLT TO ESTABLISH TORQUE

NOTES:

- SUGGESTED CROSSMEMBER LOCATIONS ARE SHOWN. ACTUAL SIZE AND SHAPE MAY VARY WITH TRAILER DESIGN. IT IS THE RESPONSIBILITY OF THE SUSPENSION INSTALLER TO ENSURE STRUCTURAL ADEQUACY OF TRAILER FRAME AND CROSSMEMBER.
- REFER TO THE AXLE/Y-BEAM INSTALLATION SECTION OF L577 (HT INSTALLATION PROCEDURES) FOR INSTRUCTION ON INSTALLING THE PIVOT BUSHING TUBE SLEEVES AND ASSEMBLIES INTO THE TRAILER FRAME.
- * SYMBOL DENOTES TO ADD 6.0 INCHES FOR 102.0 INCH WIDE TRAILERS.
- LOAD CAPACITY: 25,000 LB AT GROUND.
- SEE L579, ALIGNMENT PROCEDURES, FOR QUIK-ALIGN® PIVOT CONNECTION ASSEMBLY.
- RECOMMENDED BRAKE CAMSHAFT AND BRAKE CHAMBER LOCATIONS MAY VARY SLIGHTLY BASED ON AXLE MANUFACTURER'S RECOMMENDATIONS.
- IF SHOCK STRAP REQUIRED, ORDER C-23086-4 SEPARATELY.

NOTICE: U-BOLT KIT VARIES DEPENDING ON RIDE HEIGHT AND/OR TIRE SIZE. STANDARD U-BOLT SHOWN IN MAIN VIEWS. FLATTENED U-BOLT SHOWN IN DETAIL VIEW BELOW. FLATTENED SIDE OF U-BOLT IN KIT (A-22237) MUST BE INSTALLED ON THE SAME SIDE OF THE AXLE AS THE S-CAM, ESPECIALLY ON 12.25" X 7.00" BRAKES.

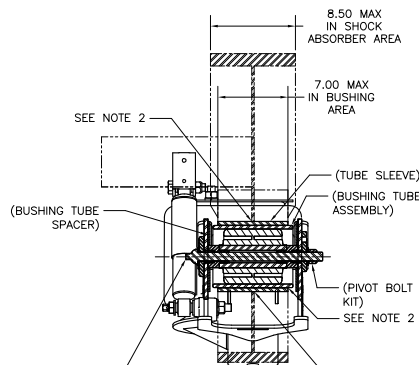
CLEARANCE SPECIFICATIONS:

- 1.0 INCH MINIMUM REQUIRED BETWEEN TOP OF THE TIRE AND BOTTOM OF TRAILER STRUCTURE WHEN AXLE IS AT FULL JOUNCE.
- 2.0 INCHES MINIMUM REQUIRED BETWEEN INSIDE OF TIRE AND TRAILER STRUCTURE FOR LATERAL MOVEMENT.
- 1.0 INCH MINIMUM CLEARANCE MUST BE MAINTAINED AROUND AIR SPRING WHEN IT IS AT MAXIMUM DIAMETER.
- ALLOW 1.5 INCHES AROUND FORWARD SECTION OF BEAM ASSEMBLY FOR SUSPENSION MOVEMENT.

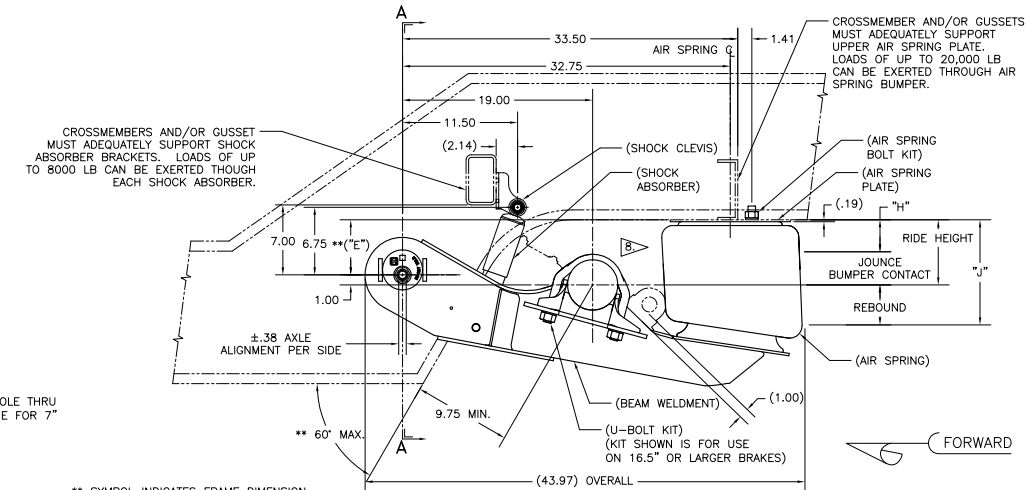
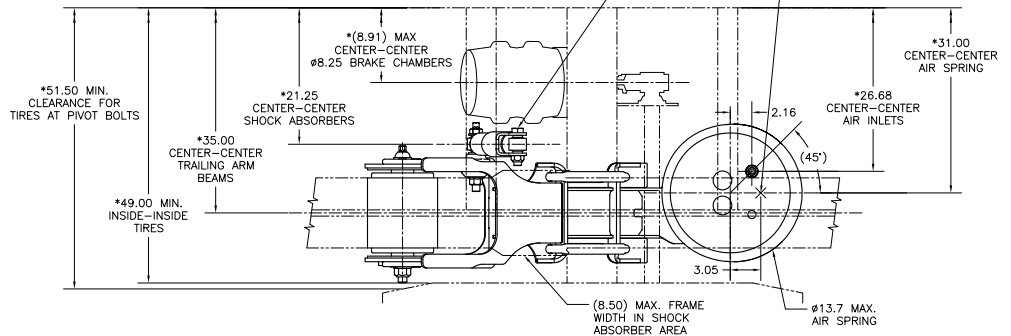
AFTER FINAL AXLE ALIGNMENT,
TIGHTEN UNTIL SHEAR HEAD
SEPARATES AS SHOWN BELOW



SECTION AA



CLEARANCE HOLE THRU
TRAILER FRAME FOR 7" O.D. TUBE.



** SYMBOL INDICATES FRAME DIMENSION

This Print remains the property of Hendrickson. All information contained thereon is confidential. It is loaned, subject to return on demand and on express condition that it is not to be copied or used directly or indirectly for any purpose other than the purpose for which it has been loaned to you.