

# **H** PARTS LIST

## HT250U UNDERSLUNG

LIT NO: L938

DATE: April 2017

REVISION: E

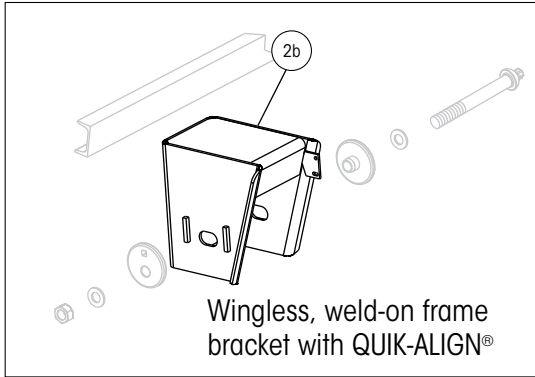
---



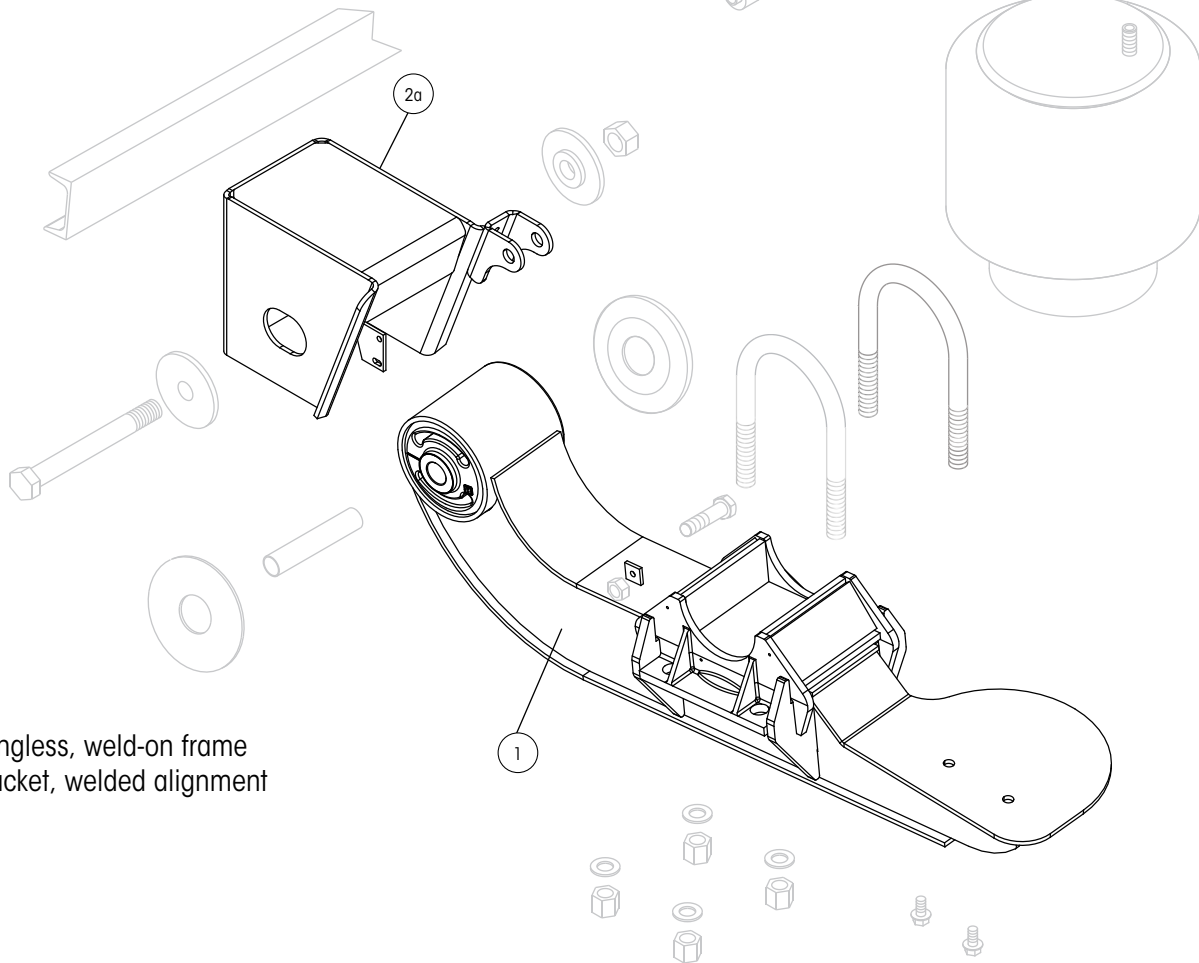
# HT250U UNDERSLUNG PARTS LIST



Picture shown may not resemble all models.



Wingless, weld-on frame bracket with QUIK-ALIGN®



Wingless, weld-on frame bracket, welded alignment



# HT250U UNDERSLUNG PARTS LIST

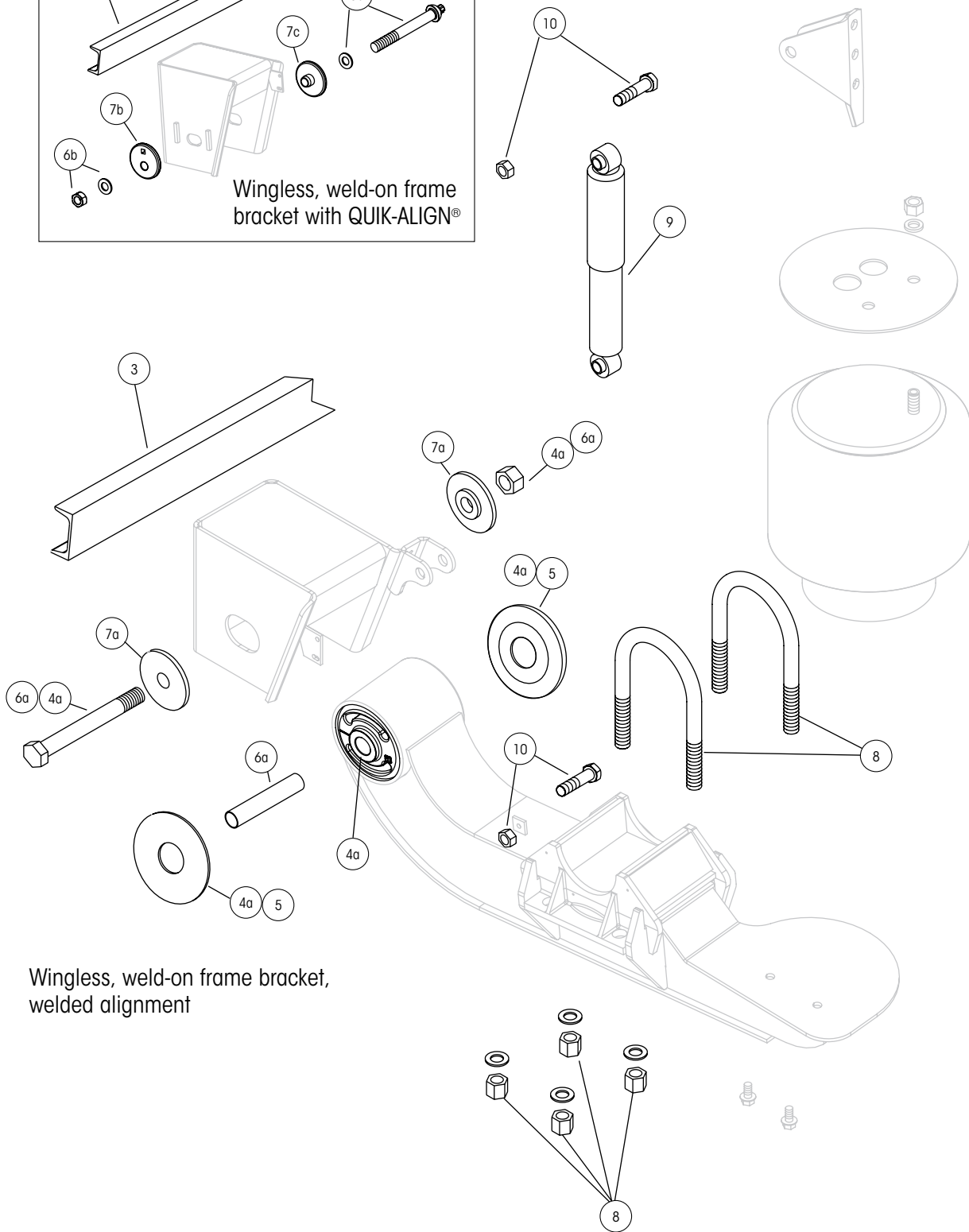
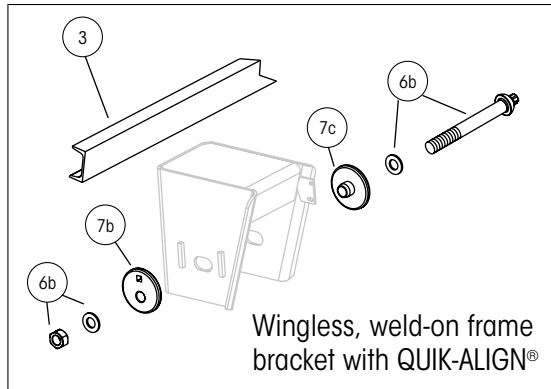
ITEM	DESCRIPTION	PART NO.	QTY. PER SUSP.	FITS MODELS HT250 ? or N-HT250 ?		
<b>1</b>	<b>BEAM ASSEMBLY</b>					
	Roadside	S-20335-1	1	All models except below		
	Curbside	S-20335-2	1			
	Roadside	S-20338-3	1	U-9-020	U-9-021	U-9-023
	Curbside	S-20338-4	1	U-15-022	UB9-022	UB15-022
	Roadside	S-20338-1	1	U-7.5-021		
	Curbside	S-20338-2	1			
<b>2</b>	<b>FRAME BRACKET</b>					
	<b>2a Wingless, Weld-on, Welded Alignment</b>					
	Roadside	S-20321-1	1	U-6.5-001	U-6.5-008	U-6.5-011
	Curbside	S-20321-2	1	U-6.5-020	U-6.5-021	U-6.5-027
					U-6.5-517	U-7.5-005
	Roadside	S-20322-1	1	U-7.5-001	U-7.5-002	U-7.5-003
	Curbside	S-20322-2	1	U-7.5-008	U-7.5-017	U-7.5-027
				U-7.5-517	U-9-001	U-9-002
				U-9-003	U-9-004	U-9-006
				U-9-008	U-9-010	U-9-022
				U-9-024	U-9-025	U-9-027
				U-9-028	U-9-029	U-9-517
	Roadside	S-20324-1	1	U-12-002	U-14-001	U-14-026
	Curbside	S-20324-2	1	U-14-008	U-14-517	
				U-14-028	U-14-006	
	Roadside	S-20323-1	1	U-12-001	U-12-006	U-12-008
	Curbside	S-20323-2	1	U-12-026	U-12-517	
	Roadside	S-20717-1	1	U-6.5-002	U-6.5-003	U-6.5-022
	Curbside	S-20717-2	1			
	Roadside	S-23860-3	1	U-9-020	U-9-021	U-9-023
	Curbside	S-23860-4	1	U-15-022		
	Roadside	S-22663-1	1	U-6.5-024		
	Curbside	S-22663-2	1			
	Roadside	S-20357-1	1	U-7.5-021		
	Curbside	S-20357-2	1			
	Roadside	S-15019-1	1	U-6.5-030	U-6.5-031	
	Curbside	S-15019-2	1			
	<b>2b Wingless, Weld-on, QUIK-ALIGN®</b>					
	Roadside	S-22634-1	1	UB14-001	UB14-006	UB14-023
	Curbside	S-22634-2	1	UB14-027	UB14-028	
	Roadside	S-21688-1	1	UB12-001	UB12-006	UB12-027
	Curbside	S-21688-2	1	UB12-028		
	Roadside	S-23859-1	1	UB9-022	UB15-022	
	Curbside	S-23859-2	1			
	Roadside	S-21926-1	1	UB7.5-001	UB7.5-517	UB7.5-522
	Curbside	S-21926-2	1	UB9-001	UB9-002	UB9-003
				UB9-004	UB9-010	UB9-013
				UB9-522		
	Roadside	S-21927-1	1	UB6.5-001	UB6.5-517	UB7.5-005
	Curbside	S-21927-2	1			
	Roadside	S-22581-1	1	UB6.5-002		
	Curbside	S-22581-2	1			
	Roadside	S-23859-1	1	UB15-022		
	Curbside	S-23859-2	1			

NOTE: Identification tag can be found on the front of the roadside frame bracket or the inside of the curbside beam.

# HT250U UNDERSLUNG PARTS LIST



Picture shown may not resemble all models.





# HT250U UNDERSLUNG PARTS LIST

ITEM	DESCRIPTION	PART NO.	QTY. PER SUSP.	FITS MODELS HT250 ? or N-HT250 ?				
<b>2c</b>	<b>Winged, Bolt-on, Welded Alignment</b> (Not Shown)							
	Roadside	S-20337-1	1	U-12-007				
	Curbside	S-20337-2	1					
	Roadside	S-21230-1	1	U-14-007				
	Curbside	S-21230-2	1					
	Roadside	S-20326-1	1	U-6.5-007				
	Curbside	S-20326-2	1					
	Roadside	S-20327-1	1	U-7.5-007	U-9-007			
	Curbside	S-20327-2	1					
	<b>3</b>	<b>FRAME BRACKET C-CHANNEL</b>	A-1631-19	1	All models			
	<b>4</b>	<b>TRI-FUNCTIONAL® II BUSHING KIT<sup>1</sup></b>						
	<b>4a</b>	<b>Welded Alignment</b>		S-6914	2	Includes bushing, bushing tube spacers, cap screw, prevailing torque hex nut, liner and lube		
<b>QUIK-ALIGN</b> (Not Shown)		S-24691	2	Includes bushing, bushing tube spacers, round head bolt, prevailing torque hex nut, hardened washers and lube				
<b>5</b>	<b>BUSHING TUBE SPACER</b>	S-21099	4	All models				
<b>6</b>	<b>PIVOT BOLT KIT</b>							
<b>6a</b>	<b>Welded Alignment</b>		S-3646	2	Includes cap screw, prevailing torque hex nut and liner			
	<b>QUIK-ALIGN</b>		S-24679	2	Includes round head bolt, hardened washers and prevailing torque hex nut			
<b>7</b>	<b>ALIGNMENT COLLARS</b>							
<b>7a</b>	<b>Welded Alignment</b>		S-2770	4	Collars are welded to frame bracket			
	<b>Eccentric QUIK-ALIGN (outer)</b>		S-20925	2	Alignment hole is off center			
	<b>Concentric QUIK-ALIGN (inner)</b>		S-20924	2	Alignment hole is centered			
<b>8</b>	<b>U-BOLT KIT</b>	S-3650/4	4	All models				
<b>9</b>	<b>SHOCK ABSORBER</b>							
				S-20002	2	Fits all models unless shown below		
				S-21553	2	U-6.5-027	U-9-027	U-9-028
						U-14-028	UB6.5-522	U-7.5-027
						UB7.5-522	UB9-522	UB12-027
						UB12-028	UB14-027	UB14-028
				S-1667	2	U-7.5-021	U-7.5-022	U-7.5-521
				S-2212	2	U-9-020	U-9-021	U-9-023
						U-9.2-026	U-15-022	UB9-022
						UB15-022		
				S-20126	2	U-6.5-517	U-7.5-017	U-7.5-517
						U-9-517	U-12-517	U-14-517
					UB6.5-517	UB7.5-517		
			S-2160	2	U-6.5-030	U-6.5-031		
<b>10</b>	<b>SHOCK BOLT KIT</b>	S-2157/2	2	All models				

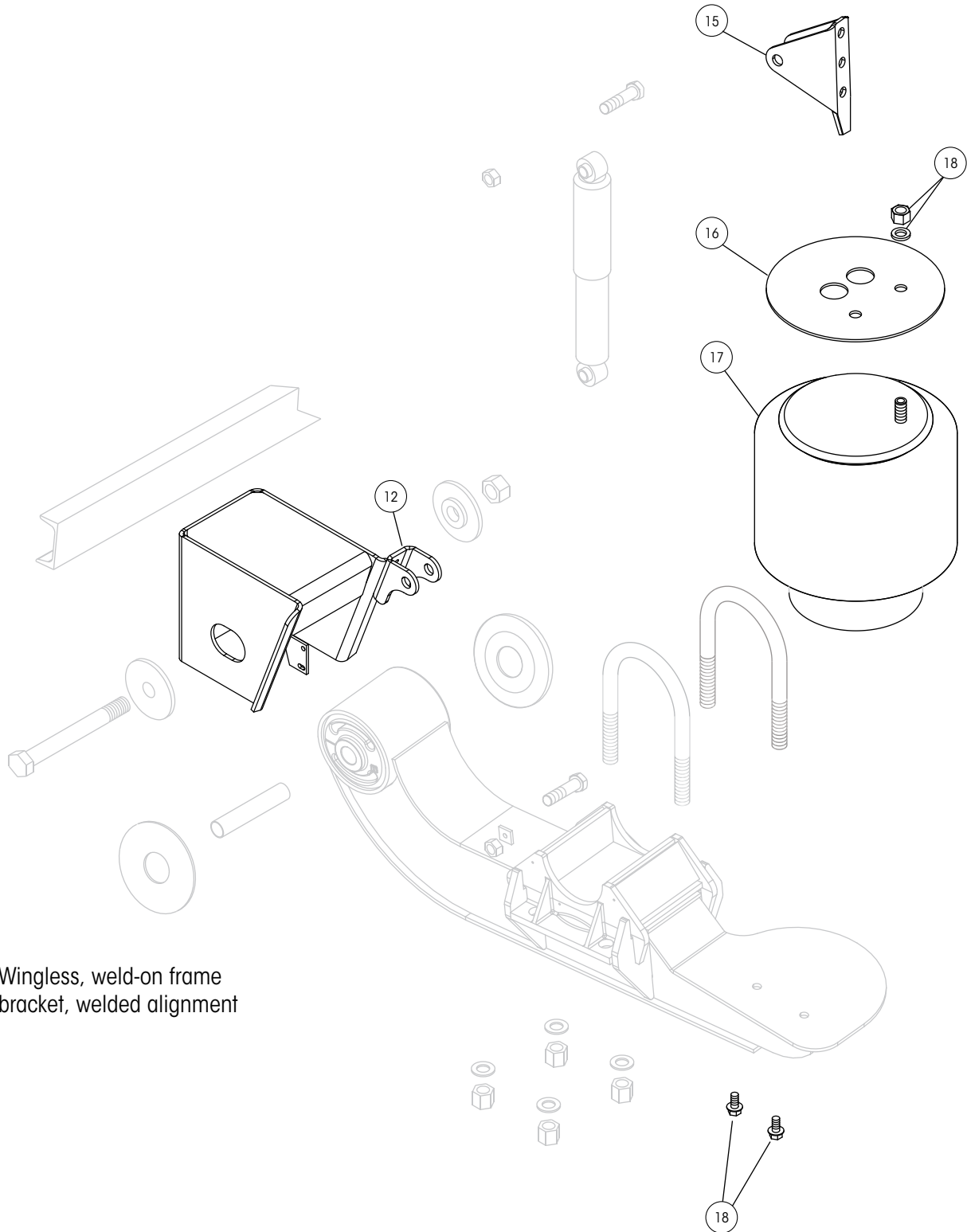
1. Bushing tool S-21307 is required to correctly re-bush the suspension

NOTE: Identification tag can be found on the front of the roadside frame bracket or the inside of the curbside beam.

# HT250U UNDERSLUNG PARTS LIST



Picture shown may not resemble all models.



Wingless, weld-on frame  
bracket, welded alignment



# HT250U UNDERSLUNG PARTS LIST

ITEM	DESCRIPTION	PART NO.	QTY. PER SUSP.	FITS MODELS HT250 ? or N-HT250 ?				
11	SHOCK STRAP KITS (Not Shown) <sup>2</sup>	S-14587-1	1	Use with S-20002 or S-1667 shock				
		S-14587-8	1	Use with S-21553 or S-20126 shock				
		S-14587-3	1	Use with S-2212 shock				
		S-14587-2	1	Use with S-2160 shock				
12	UPPER SHOCK CLEVIS	S-20113	2	U-6.5-024				
13	LOWER SHOCK CLEVIS (Not Shown)	S-2592	2	All models				
14	AIR SPRING SPACER ASSEMBLY (Not Shown)			Includes air spring plate and spacer assembly				
		C-21210-1	2	U-7.5-002				
		C-21210-3	2	U-9-002	U-9-029	U-12-001		
				U-12-006	U-12-008	U-12-517		
				UB12-001	UB12-006	UB12-027		
				UB12-028				
		C-21210-4	2	U-9-024	U-12-002	U-12-024		
				U-14-001	U-14-006	U-14-008		
				U-14-028	U-14-517	UB9-002		
				UB9-013	UB14-001	UB14-006		
				UB14-027	UB14-028			
		C-21215-3	2	U-12-007	U-12-026			
		C-21215-4	2	U-14-026	UB14-023			
C-21215-5	2	U-14-007						
A-22431	2	U-6.5-022						
15	UPPER SHOCK BRACKET	S-20023	2	U-6.5-030	U-6.5-031			
16	AIR SPRING PLATE	S-21209	2	U-6.5-001	U-6.5-002	U-6.5-008		
				U-6.5-011	U-6.5-020	U-6.5-023		
				U-6.5-024	U-6.5-027	U-6.5-030		
				U-6.5-031	U-6.5-517	U-7.5-001		
				U-7.5-005	U-7.5-008	U-7.5-017		
				U-7.5-027	U-7.5-517	U-9-001		
				U-9-006	U-9-008	U-9-010		
				U-9-022	U-9-027	U-9-028		
				U-9-517	UB6.5-001	UB6.5-002		
				UB6.5-517	UB6.5-522	UB7.5-001		
				UB7.5-005	UB7.5-522	UB9-001		
				UB9-010	UB9-522			
				B-21211	2	U-6.5-007	U-7.5-007	U-9-007
				C-11134	2	U-7.5-021	U-7.5-022	U-9-021
						U-9-023	U-9.2-026	U-15-022
						UB9-022	UB15-022	

2. Shock strap kits include (2) shock straps and (4) nylon ties. (1) shock strap kit required per axle.

NOTE: Identification tag can be found on the front of the roadside frame bracket or the inside of the curbside beam.

# HT250U UNDERSLUNG PARTS LIST



ITEM	DESCRIPTION	PART NO.	QTY. PER SUSP.	FITS MODELS HT250 ? or N-HT250 ?
17	AIR SPRING	S-20124	2	All models except below
		S-20127	2	U-9-006 U-9-028 U-9-029
				U-12-006 U-14-006 U-14-028
				UB12-006 UB12-028 UB14-006
				UB14-028
		S-20413	2	U-6.5-011 U-6.5-023
		S-20414	2	U-9-010 UB9-010
		S-20716	2	U-6.5-002 U-6.5-003 U-6.5-031
		S-13122	2	U-9-020 U-9-021 U-9-023
				U-9.2-026 U-15-022 UB9-022
S-14249	2	U-7.5-021 U-7.5-022		
18	AIR SPRING MOUNTING KIT	S-20033/2	2	All models except below
		S-4903/2	2	U-9-020 U-9-021 U-9-023
				U-15-022 UB9-022 UB15-022
		S-1981/2	2	U-7.5-021 U-7.5-022
19	HEIGHT CONTROL VALVE (Not Shown)	VS-227	1 <sup>3</sup>	Fits all models. Includes height control valve, exhaust line and spacer bracket.
20	LINKAGE ASSEMBLY (Not Shown)	S-14187	1 <sup>3</sup>	Includes linkage assembly and hardware
21	AUTO DUMP VALVE (Not Shown)	VS-23460	1 <sup>3</sup>	Includes dump valve and fittings
22	PRESSURE PROTECTION VALVE (Not Shown)	VS-1128	1 <sup>3</sup>	Includes valve only

3. Quantities for air control components are per trailer.

NOTE: Identification tag can be found on the front of the roadside frame bracket or the inside of the curbside beam.

Call Hendrickson at **330.489.0045** or **866.RIDEAIR (743.3247)** for additional information.



[www.hendrickson-intl.com](http://www.hendrickson-intl.com)

**TRAILER COMMERCIAL VEHICLE SYSTEMS**  
 2070 Industrial Place SE  
 Canton, OH 44707-2641 USA  
 866.RIDEAIR (743.3247)  
 330.489.0045 • Fax 800.696.4416

**Hendrickson Canada**  
 250 Chrysler Drive, Unit #3  
 Brampton, ON Canada L6S 6B6  
 800.668.5360  
 905.789.1030 • Fax 905.789.1033

**Hendrickson Mexicana**  
 Circuito El Marqués Sur #29  
 Parque Industrial El Marqués  
 Pob. El Colorado, Municipio El Marqués,  
 Querétaro, México C.P. 76246  
 +52 (442) 296.3600 • Fax +52 (442) 296.3601