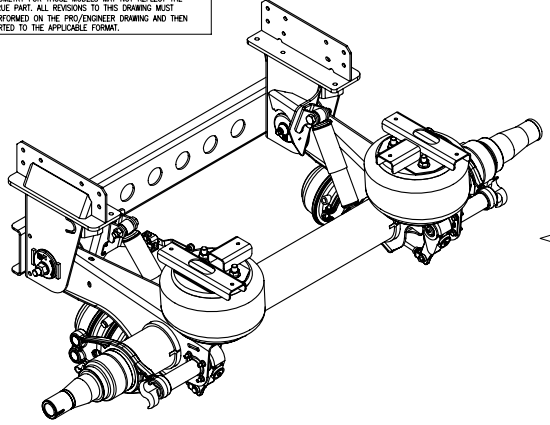
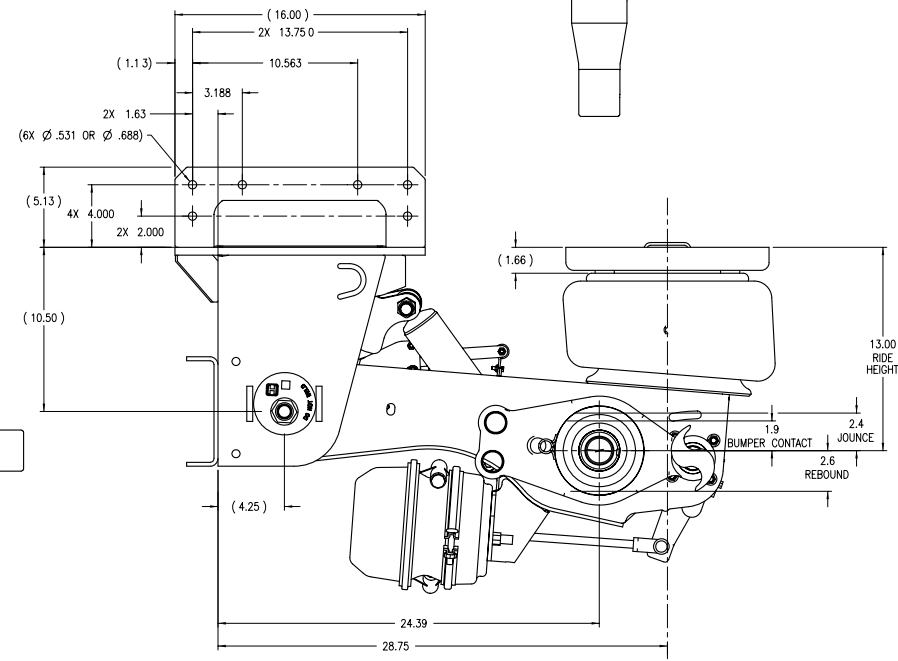
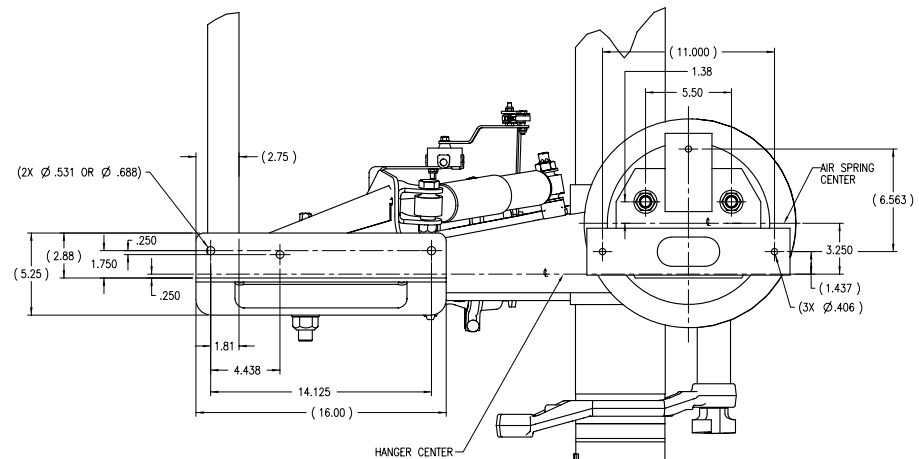
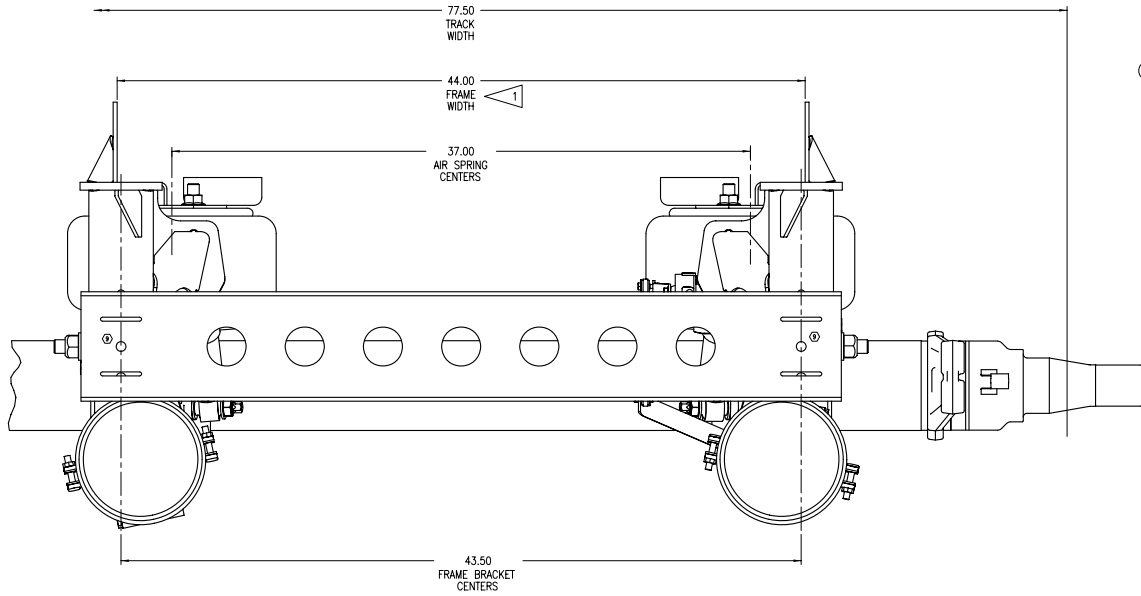


NOTE: ORIGINAL DRAWING CREATED IN PRO/ENGINEER. SOME MODELS ARE NOT OFFICIALLY RELEASED IN PRO/ENGINEER. SO GEOMETRY FOR THOSE MODELS MAY NOT REFLECT THE TRUE PART. ALL REVISIONS TO THIS DRAWING MUST BE PERFORMED ON THE PRO/ENGINEER DRAWING AND THEN CONVERTED TO THE APPLICABLE FORMAT.



- NOTES:
- WARNING:** CUSTOMERS FRAME WIDTH MUST BE WITHIN $\pm .06$ TO ENSURE CORRECT OPERATION OF SUSPENSION OR ELSE PREMATURE WEAR OF PIVOT BUSHING COMPONENTS COULD RESULT.
 - THIS SUSPENSION IS INTENDED FOR ON-HIGHWAY USE, ON TRAILERS REQUIRING A SUSPENSION CAPACITY OF 23,000 POUNDS.
 - SEE L-341 (INTRAAX INSTALLATION INSTRUCTIONS) AND DRAWING D-25266 (INTRAAX COMMON COMPONENTS INSTALLATIONS) FOR INFORMATION ON ASSEMBLY AND ALIGNMENT.
 - SEE SERVICE MANUAL FOR INFORMATION CONCERNING MAINTENANCE PROCEDURE.
 - MANUFACTURED UNDER ONE OR MORE OF THE FOLLOWING U.S. PATENT NOS.: 4,166,640; 5,366,237; 6,213,507. OTHER PATENTS PENDING.
 - SEE L-575 FOR HEIGHT CONTROL KIT OPTIONS.
 - DO NOT WELD ON AXLE TUBE.

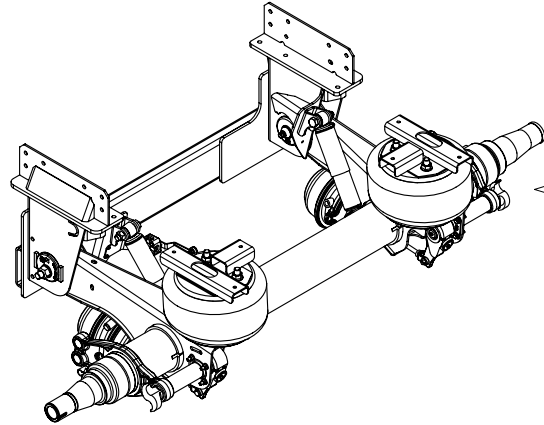
- CLEARANCE SPECIFICATIONS:
- 1.0 INCH MINIMUM CLEARANCE REQUIRED BETWEEN TOP OF TIRE AND BOTTOM OF TRAILER STRUCTURE WHEN AXLE IS AT FULL JOUICE.
 - 2.0 INCHES OF CLEARANCE REQUIRED INSIDE OF TIRE AND TRAILER STRUCTURE FOR TIRE AND LATERAL MOVEMENT.
 - .75 INCH MINIMUM CLEARANCE MUST BE MAINTAINED AROUND AIR SPRING WHEN IT IS AT MAXIMUM DIAMETER.



This print remains the property of Hendrickson. All information contained herein is confidential. It is loaned, subject to return on demand, and on the express condition that it is not to be copied or used directly or indirectly for any purpose other than the purpose for which it has been loaned to you.

		UNLESS OTHERWISE NOTED: TOLERANCES ARE: DIMENSIONS ARE: .005 - .010 JOINTS: .005 ANGLES: ± 0.5° HOLE CLEARANCE: .005 UNLESS OTHERWISE NOTED		9 17553 SEQ 3-13-09 DRAWN BY: M. ZWES 8 16144 COR 3/7/08 MADE BY: 2-11-03 CAMERSON 7 15633 LMK 5-11-07 6 12058 COR 3/27/07 5 12058 COR 3/27/07 4 12058 COR 3/27/07 3 12058 COR 3/27/07 2 12058 COR 3/27/07 1 12058 COR 3/27/07	DATE: 05-Feb-03 THE DRAWING IS THE PROPERTY OF HENDRICKSON	SCALE: 1:4 SHEET: 1 OF 2 DRAWING NUMBER: D-27367
AANT BOLT-ON, SIDE MOUNT, WINGLESS ASSEMBLY						

NOTE: ORIGINAL DRAWING CREATED IN PRO/ENGINEER
ALL REVISIONS TO THIS DRAWING MUST BE
PERFORMED ON THE PRO/ENGINEER DRAWING AND
THEN CONVERTED TO THE APPLICABLE FORMAT.



NOTES:

- 1** WARNING: CUSTOMERS FRAME WIDTH MUST BE WITHIN $\pm .06$ TO ENSURE CORRECT OPERATION OF SUSPENSION OR ELSE PREMATURE WEAR OF PIVOT BUSHING COMPONENTS COULD RESULT.
- THIS SUSPENSION IS INTENDED FOR ON-HIGHWAY USE, ON TRAILERS REQUIRING A SUSPENSION CAPACITY OF 23,000 POUNDS.
 - SEE L-341 (INTRAX INSTALLATION INSTRUCTIONS) AND DRAWING D-25266 (INTRAX COMMON COMPONENTS INSTALLATIONS) FOR INFORMATION ON ASSEMBLY AND ALIGNMENT.
 - SEE SERVICE MANUAL FOR INFORMATION CONCERNING MAINTENANCE PROCEDURE.
 - MANUFACTURED UNDER ONE OR MORE OF THE FOLLOWING U.S. PATENT NOS.: 4,166,640; 5,366,237; 6,213,507. OTHER PATENTS PENDING.
 - SEE L-575 FOR HEIGHT CONTROL KIT OPTIONS.
 - DO NOT WELD ON AXLE TUBE.

- CLEARANCE SPECIFICATIONS:
- 1.0 INCH MINIMUM CLEARANCE REQUIRED BETWEEN TOP OF TIRE AND BOTTOM OF TRAILER STRUCTURE WHEN AXLE IS AT FULL JOUNCE.
 - 2.0 INCHES OF CLEARANCE REQUIRED BETWEEN INSIDE OF TIRE AND TRAILER STRUCTURE FOR TIRE AND LATERAL MOVEMENT.
 - .75 INCH MINIMUM CLEARANCE MUST BE MAINTAINED AROUND AIR SPRING WHEN IT IS AT MAXIMUM DIAMETER.

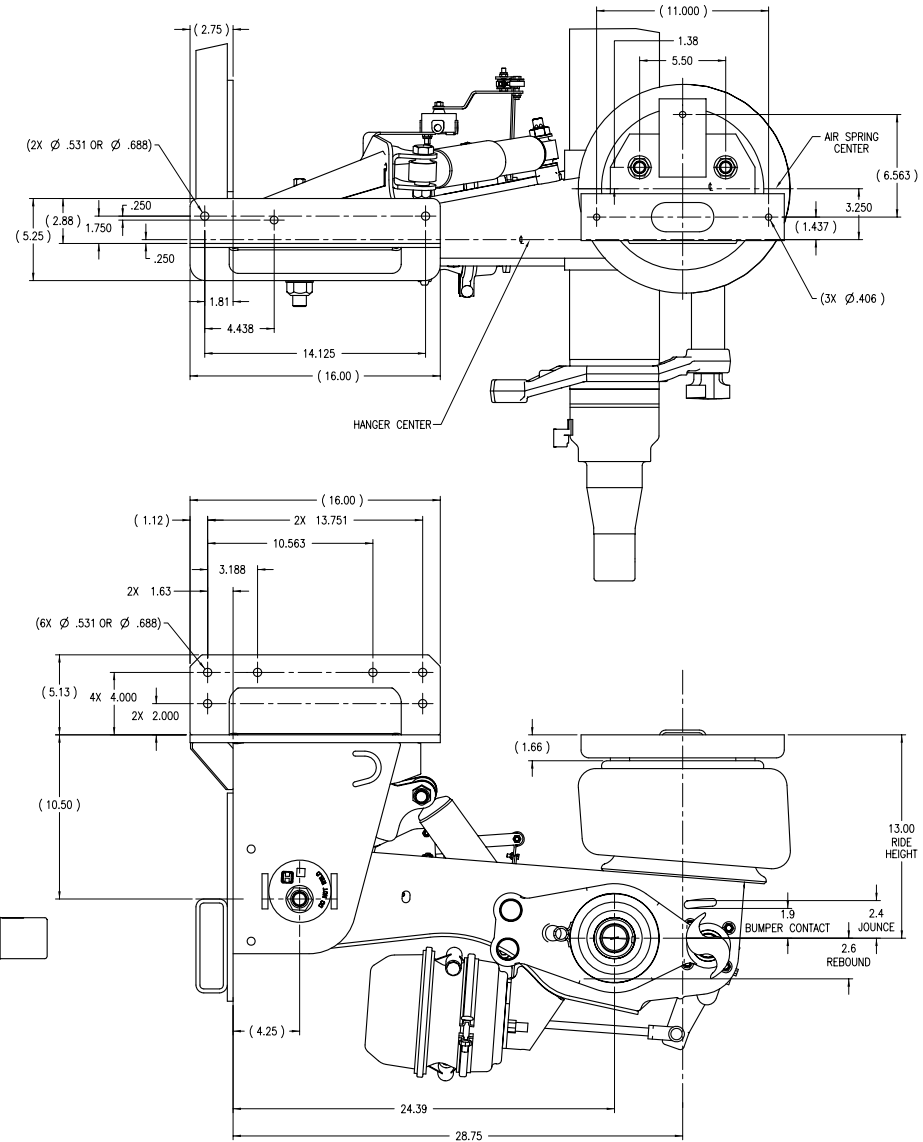
77.50
TRACK
WIDTH

44.00
FRAME
WIDTH **1**

37.00
AIR SPRING
CENTERS

ALTERNATE DESIGN
5" LOWER CHANNEL
SUPPORT

43.500
FRAME BRACKET
CENTERS



This print remains the property of
Hendrickson. All information contained
herein is confidential. It is loaned,
subject to return on demand, and on the
express condition that it is not to be
copied or used directly or indirectly
for any purpose other than the pur-
pose for which it has been loaned to
you.

HENDRICKSON Trailer Suspension Systems 2070 INDUSTRIAL PARK PLACE S.E. GRAND RAPIDS, MI 49507-0002 U.S.A.		UNLESS OTHERWISE NOTED: DIMENSIONS ARE IN INCHES DECIMALS ARE TO .01 FRACTIONS ARE TO 1/32 ANGLES ARE TO .1° DIMENSIONS UNLESS OTHERWISE SPECIFIED ARE TO PERMIT ASSEMBLY	9 17553 SEQ 3-13-09 REV. NO. 8 16744 COR 3/7/08 7 15633 LHM 5-11-07 6 12058 COR 3/27/03 REV. ECH. NO. BY DATE	DESIGNED BY: J.T. LILKE DRAWN BY: J. RAMSEY CHECKED BY: P. BILLYAM APPROVED BY: J. RAMSEY	DATE: 7-3-09-04 THE NUMBER OF THE COVERING PROPERTY OF HENDRICKSON	SCALE: 1:1 SHEET: 2 OF 2 DRAWING NUMBER: D-27367
--	--	--	---	--	---	--

AANT BOLT-ON
SIDE MOUNT, WINGLESS ASSEMBLY