

**VIEW AA**

SCALE: .125=1.000

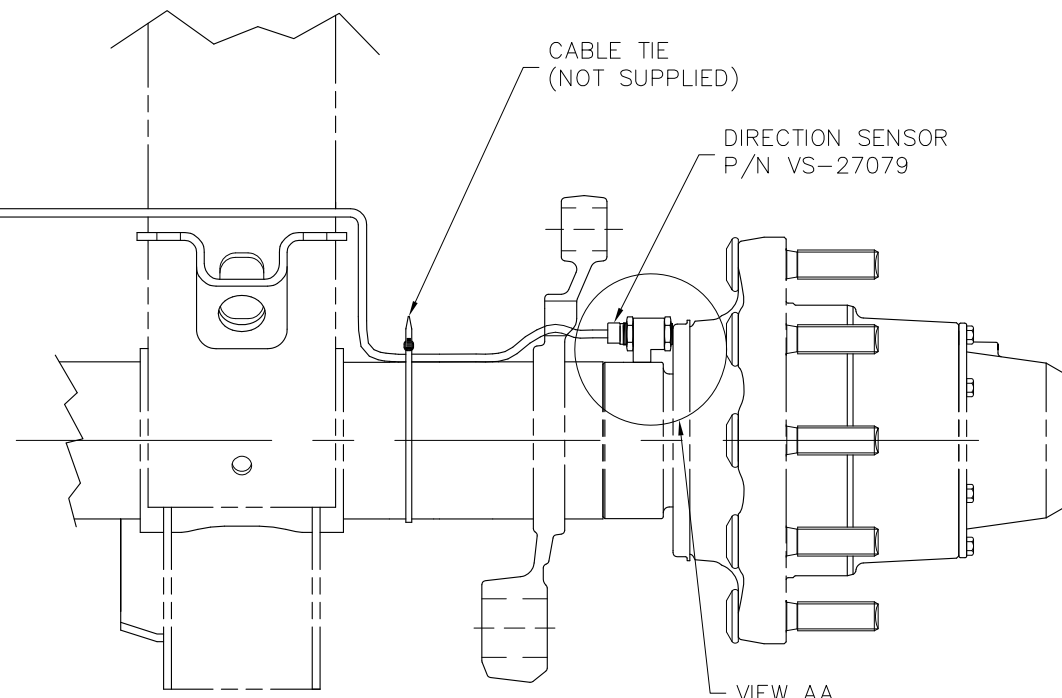
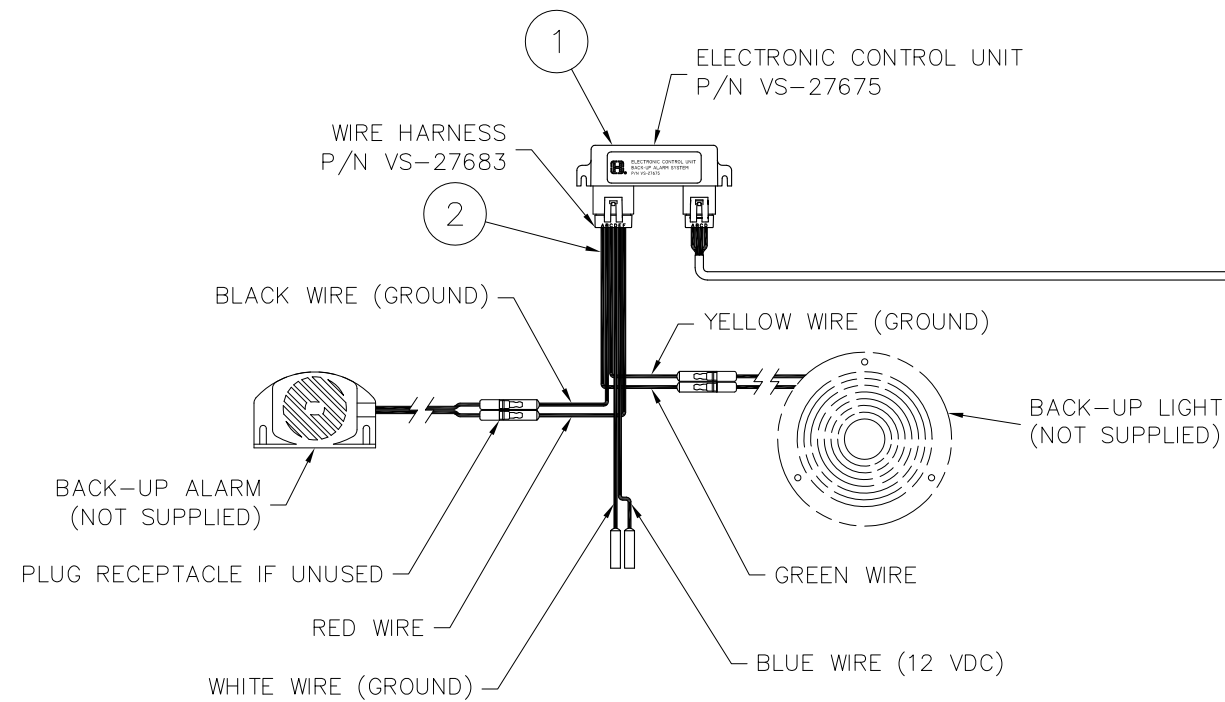
**BILL OF MATERIALS:**

EKBA0002			
ITEM	PART NO.	DESCRIPTION	QTY.
1	B-27675	ELECTRONIC CONTROL UNIT	1
2	A-27683	ECU WIRE HARNESS	1
3	B-27079	DIRECTION SENSOR	1
*4	DWG EKBA0002	BACK-UP CONTROL KIT	1

\*NOT SHOWN

**NOTES:**

- INSTALL SENSOR BRACKET OR BLOCK ON THE LEFT SIDE (DRIVER SIDE) ONLY. USE A STANDARD ABS SENSOR BRACKET OR BLOCK RECOMMENDED BY THE AXLE SUPPLIER.
- INSERT SENSOR INTO THE BRACKET UNTIL ITS METAL CASING IS .03 TO .07 INCH AWAY FROM THE TONE RING. IF SENSOR IS SUPPLIED WITH ADHESIVE ATTACHED INSTALLATION SPACER, THEN POSITION SENSOR WITH THE INSTALLATION SPACER CONTACTING THE TONE RING.
- ORIENT FLAT ON SENSOR HOUSING TOWARD THE AXLE.
- APPLY A THREAD LOCKING COMPOUND TO THE SENSOR THREADS ON BOTH SIDES OF THE SENSOR BRACKET.
- TIGHTEN JAM NUTS TO 45-55 FT-LB.
- SECURE SENSOR CABLE AND WIRE HARNESS EVERY 12 TO 16 INCHES.
- EACH OUTPUT OF THE ELECTRONIC CONTROL UNIT IS RATED FOR 5A@12VDC MAXIMUM. IF THE BACK-UP LIGHTS OR DEVICE SELECTED HAS A GREATER CURRENT DRAW, USE HENDRICKSON VCLD0080 (EXTERNAL RELAY KIT) TO SUPPLY POWER. PLUG ANY UNUSED WIRE CONNECTORS.
- WEIGHT: 1.1 LB
- USE EKBA0002 FOR DRUM BRAKE APPLICATIONS & EKBA0002-1 FOR DISK BRAKE APPLICATIONS.



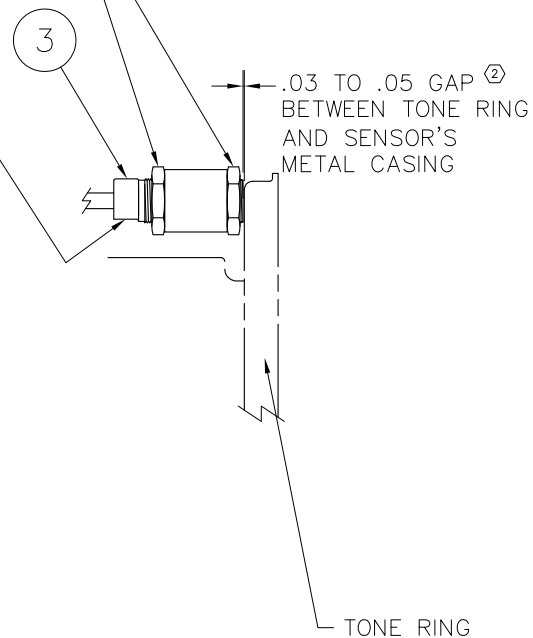
DRIVER'S SIDE WHEEL END

This Print remains the property of Hendrickson. All information contained thereon is confidential. It is loaned, subject to return on demand and on express condition that it is not to be copied or used directly or indirectly for any purpose other than the purpose for which it has been loaned to you.

	UNLESS OTHERWISE NOTED: TOLERANCES ARE IN INCHES				DRAWN BY: J. CERVANTEZ DATE: 4-1-02	SCALE: .25=1.00 PAGE: 1 OF 2 (SIZE) DRAWING No.	
	.X: ± .1 .XX: ± .06 .XXX: ± .030 ANGULAR: ± .5	DIMENSIONS ARE: 2 25106 CCV 03-21-16 1 12102 NJF 12-17-02 0 11430 JWC 4-5-02	CHK'D BY: 4/8/02 K. GALIGHER APP'D BY: J. WHITE	THIS DRAWING IS THE CONFIDENTIAL PROPERTY OF HENDRICKSON	BACK-UP CONTROL KIT		
TRAILER COMMERCIAL VEHICLE SYSTEMS 2070 INDUSTRIAL PLACE S.E., CANTON, OH 44707-2600 U.S.A.					DIMENSIONS ADHERE TO ANSI Y14.5M-1982 REV. ECN NO. BY DATE		EKBA0002

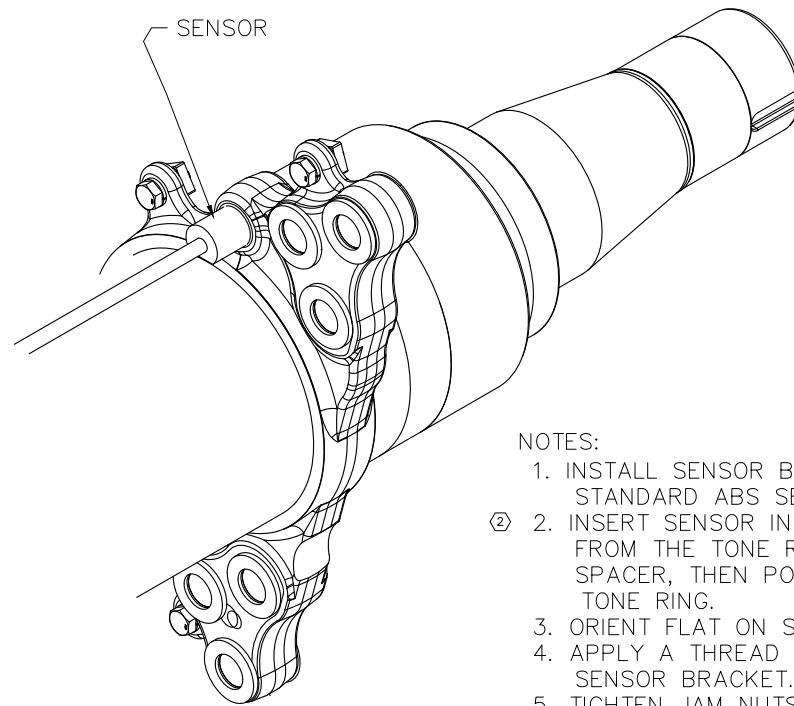
JAM NUTS  
(APPLY THREAD LOCKING COMPOUND  
AND TORQUE TO 45 TO 55 FT-LB)

ORIENT SENSOR SO THAT THE  
FLAT ON THE END OF THE  
HOUSING IS IN THE POSITION  
CLOSEST TO THE AXLE.



**VIEW AA**

SCALE: .125=1.000



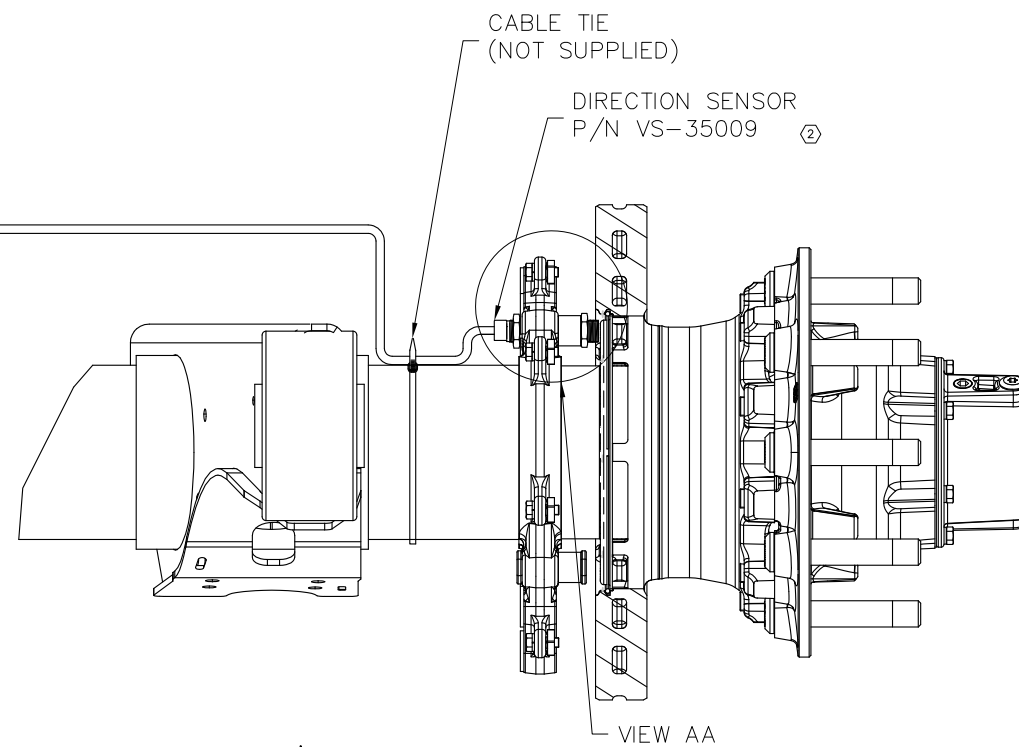
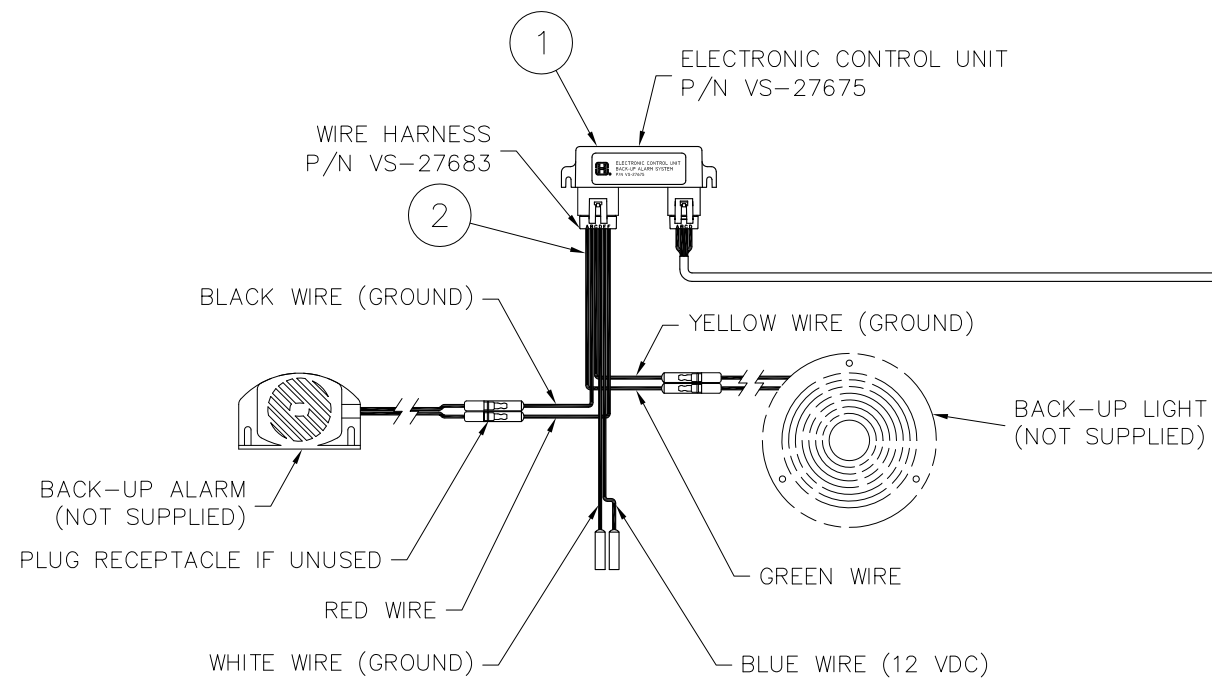
NOTES:

1. INSTALL SENSOR BRACKET OR BLOCK ON THE LEFT SIDE (DRIVER SIDE) ONLY. USE A STANDARD ABS SENSOR BRACKET OR BLOCK RECOMMENDED BY THE AXLE SUPPLIER.
- ② 2. INSERT SENSOR INTO THE BRACKET UNTIL ITS METAL CASING IS .03 TO .05 INCH AWAY FROM THE TONE RING. IF SENSOR IS SUPPLIED WITH ADHESIVE ATTACHED INSTALLATION SPACER, THEN POSITION SENSOR WITH THE INSTALLATION SPACER CONTACTING THE TONE RING.
3. ORIENT FLAT ON SENSOR HOUSING TOWARD THE AXLE.
4. APPLY A THREAD LOCKING COMPOUND TO THE SENSOR THREADS ON BOTH SIDES OF THE SENSOR BRACKET.
5. TIGHTEN JAM NUTS TO 45-55 FT-LB.
6. SECURE SENSOR CABLE AND WIRE HARNESS EVERY 12 TO 16 INCHES.
7. EACH OUTPUT OF THE ELECTRONIC CONTROL UNIT IS RATED FOR 5A@12VDC MAXIMUM. IF THE BACK-UP LIGHTS OR DEVICE SELECTED HAS A GREATER CURRENT DRAW, USE HENDRICKSON VCLD0080 (EXTERNAL RELAY KIT) TO SUPPLY POWER. PLUG ANY UNUSED WIRE CONNECTORS.
- ② 8. WEIGHT: 1.2 LB
- ② 9. USE EKBA0002 FOR DRUM BRAKE APPLICATIONS & EKBA0002-1 FOR DISK BRAKE APPLICATIONS.

BILL OF MATERIALS:

EKBA0002 -1			
ITEM	PART NO.	DESCRIPTION	QTY.
1	B-27675	ELECTRONIC CONTROL UNIT	1
2	A-27683	ECU WIRE HARNESS	1
② 3	B-35009	DIRECTION SENSOR, DISK BRAKE	1
② *4	DWG EKBA0002	BACK-UP CONTROL KIT	1

\*NOT SHOWN



DRIVER'S SIDE WHEEL END

This Print remains the property of Hendrickson. All information contained thereon is confidential. It is loaned, subject to return on demand and on express condition that it is not to be copied or used directly or indirectly for any purpose other than the purpose for which it has been loaned to you.



TRAILER COMMERCIAL VEHICLE SYSTEMS  
2070 INDUSTRIAL PLACE S.E., CANTON, OH 44707-2600 U.S.A.

UNLESS OTHERWISE NOTED:  
TOLERANCES ARE: DIMENSIONS ARE:  
.X: ± .1  
.XX: ± .06  
.XXX: ± .030  
ANGULAR: ± .5  
3RD ANGLE PROJECTION  
DIMENSIONS ADHERE TO ANSI Y14.5M-1982

2	25106	CCV	03-21-16
REV.	ECN NO.	BY	DATE

DRAWN BY: C. VAN DYKE  
CHK'D BY: F. AREVALO  
APP'D BY: J. CERVANTEZ

DATE: 03-21-16  
THIS DRAWING IS THE CONFIDENTIAL PROPERTY OF HENDRICKSON

BACK-UP CONTROL KIT ②

SCALE: .25=1.00 (SIZE)  
PAGE: 2 OF 2  
DRAWING No.

EKBA0002