

# PARTS LIST

HT™ SERIES  
HT250YS / HT250YB / HT250U-Y

LIT NO: L58

DATE: February 2017

REVISION: H

---



HT250YS

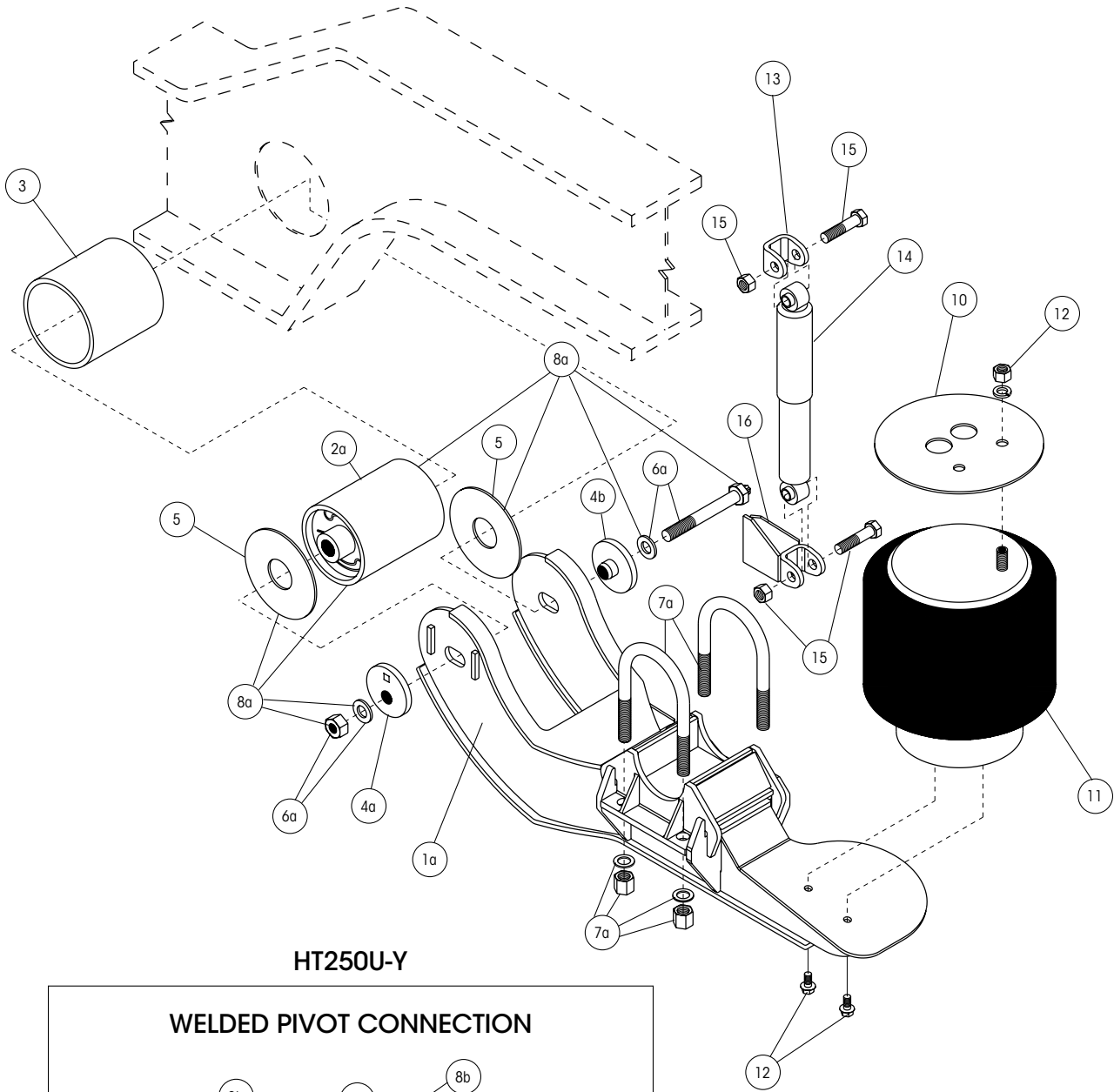


HT250YB

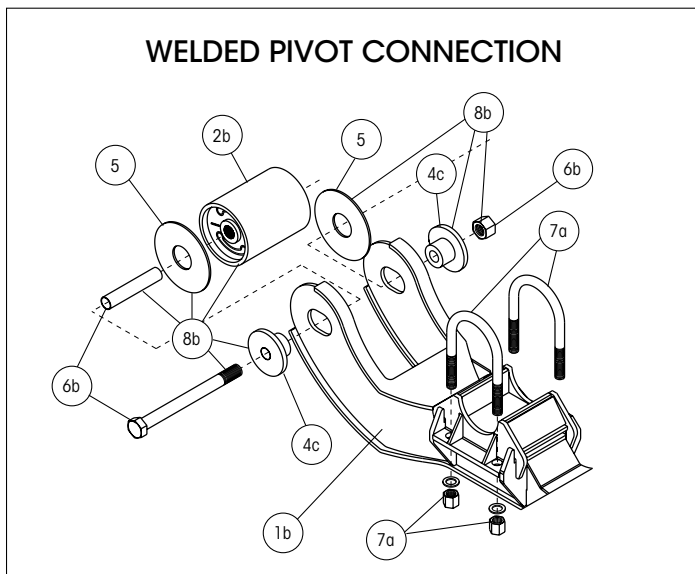
---

Picture shown may not resemble all models.

## HT250U-Y / HT250YB



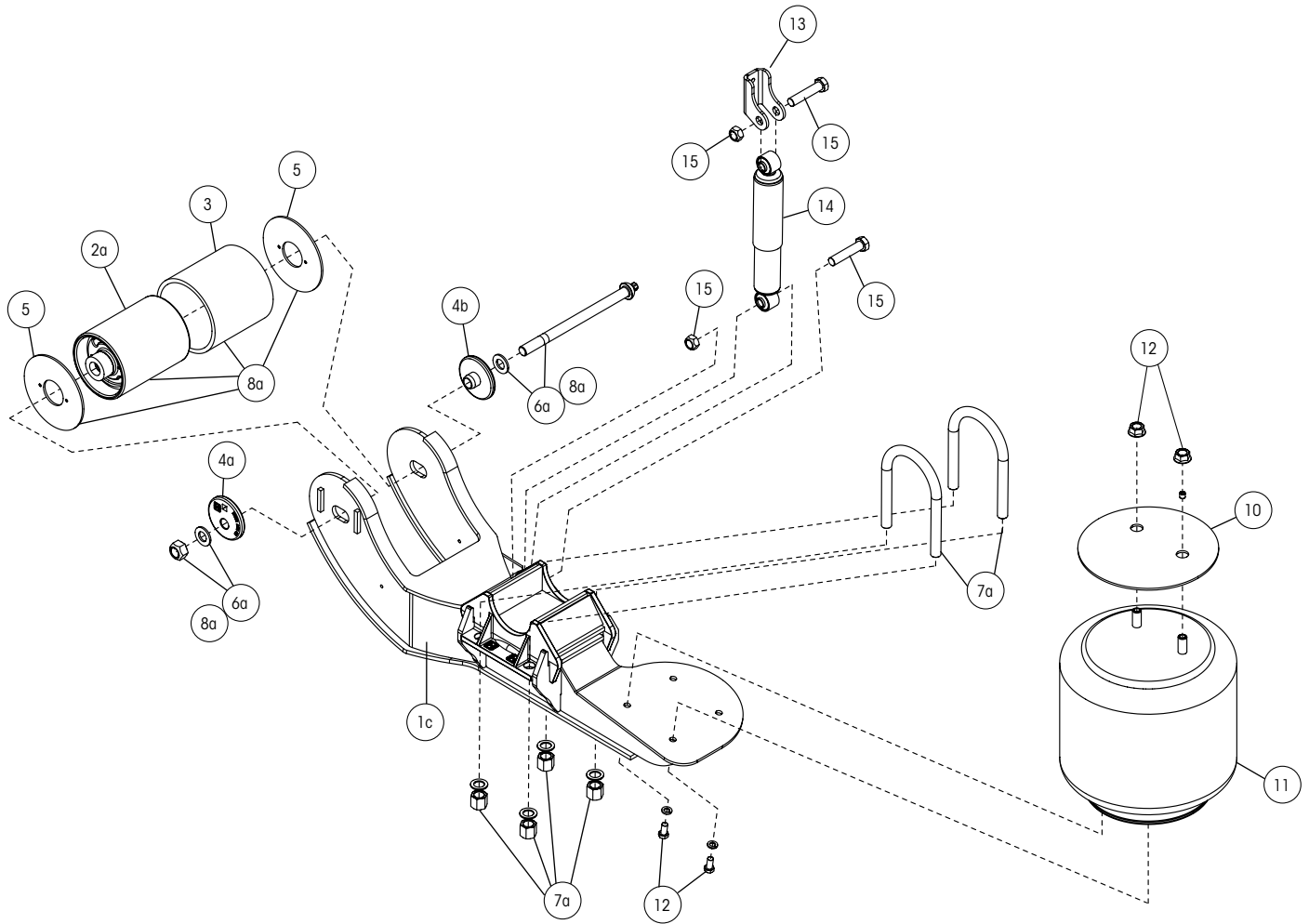
**HT250U-Y**





Picture shown may not resemble all models.

HT250YS



# HT Y-BEAM PARTS LIST



ITEM	DESCRIPTION	PART NO.	QTY. PER SUSP.	Model No. / Description
<b>1</b>	<b>BEAM ASSEMBLY</b>			
<b>1a</b>	Roadside, QUIK-ALIGN®	C-22350-3	1	HT250YB
	Curbside, QUIK-ALIGN	C-22350-4	1	HT250YB
<b>1b</b>	Roadside, welded alignment	S-21076-1	1	HT250U-Y
	Curbside, welded alignment	S-21076-2	1	HT250U-Y
<b>1c</b>	Roadside, QUIK-ALIGN	S-30873-1	1	HT250YS
	Curbside, QUIK-ALIGN	S-30873-2	1	HT250YS
<b>2</b>	<b>BUSHING ASSEMBLY</b>			
<b>2a</b>	Bushing assembly, QUIK-ALIGN	S-30862	2	HT250YB and HT250YS
<b>2b</b>	Bushing assembly, welded alignment	S-7343	2	HT250U-Y
<b>3</b>	<b>TUBE SLEEVE</b>	S-7342	2	All models
<b>4</b>	<b>ALIGNMENT COLLAR</b>			
<b>4a</b>	Eccentric washer, QUIK-ALIGN	S-20925	2	HT250YB and HT250YS; Offset pivot bolt hole
<b>4b</b>	Concentric washer, QUIK-ALIGN	S-20924	2	HT250YB and HT250YS; Centered pivot bolt hole
<b>4c</b>	Welded alignment	S-7349	4	HT250U-Y
<b>5</b>	<b>BUSHING TUBE SPACER</b>	S-21099	4	All models
<b>6</b>	<b>PIVOT BOLT KIT</b>			
<b>6a</b>	QUIK-ALIGN	S-25948	2	HT250YB and HT250YS; Includes shear-type bolt, nut and washer
<b>6b</b>	Welded alignment	S-7345	2	HT250U-Y; Includes bolt, nut and liner
<b>7</b>	<b>U-BOLT KIT</b>	S-3650/4	4	All models
<b>7a</b>	U-Bolt Kit, RD	S-3650/4	4	HT250U-Y and HT250YB
<b>7b</b>	Flattened U-Bolt / Spacer Kit (not shown)	A-22237	1	HT250YS with 12.25" brakes only
<b>7c</b>	U-Bolt Kit (not shown)	S-21140/4	4	HT250YS with 16.5" brakes only
<b>8</b>	<b>TRI-FUNCTIONAL® II BUSHING KIT</b>			
<b>8a</b>	QUIK-ALIGN	S-26000	2	HT250YB and HT250YS; Includes assembly, bushing tube spacers, bolt and nut
<b>8b</b>	Welded Alignment	S-13136	2	HT250U-Y; Includes alignment collars, bushing assembly, bushing tube spacers, bolt, nut and liner
<b>9</b>	<b>BUSHING TUBE SPACER KIT</b> (not shown)	S-26371		HT250U-Y; Includes bolt, nut, liner and bushing tube spacer
<b>10</b>	<b>AIR SPRING PLATE</b>	S-21209	2	All models

Continued on page 5

NOTE: Identification tag can be found on the front of the roadside frame bracket or the inside of the curbside beam.



# HT Y-BEAM PARTS LIST

ITEM	DESCRIPTION	PART NO.	QTY. PER SUSP.	Model No. / Description			
11	AIR SPRING	S-20127	2	HT250U -6.5Y -005,006			
				-9Y -006,031,037,706			
				HT250YB -6.5 -006,031,037			
				-7.5 -006,031,037			
				-9.0 -006,031,037			
				HT250YS -006,106			
		Rotated stud	S-20414	2	HT250U -9Y -010		
					HT250YB -6.5 -010		
					-7.5 -010		
					-9.0 -010		
HT250YS -010,011							
High pressure, standard	S-20124	2	HT250U -6.5Y -001				
			-9Y -001,021,027				
			HT250YB -6.5 -001,021,027				
			-7.5 -001,021,027				
			-9.0 -001,021,027				
		HT250YS -001,101					
12	AIR SPRING BOLT KIT	S-20033/2	2	All models			
13	UPPER SHOCK CLEVIS	Standard	S-2592	2	All models except listed below		
						For use with shock straps (not shown)	S-20113
					HT250YB -6.5 -021,031		
					-7.5 -021,031		
					-9.0 -021,031		
					HT250YS		
14	SHOCK ABSORBER	Standard	S-20002	2	HT250U -6.5Y -001,006		
					-7.5Y -001,006		
					-9.0Y -001,006,010,021,031,706		
					HT250YB -6.5 -001,006,010,021,031		
					-7.5 -001,006,010,021,031		
							-9.0 -001,006,010,021,031,706
		Standard	S-23651	2	HT250YS		
		Extended service, high damping	S-21553	2	HT250U -9Y -027,037		
					HT250YB -6.5 -027,037		
					-7.5 -027,037		
-9.0 -027,037							
Remote shocks	S-23649	2	HT250YB -7.5-DB2				
			-9-DB2				
15	SHOCK ABSORBER BOLT KIT	S-2157/2	2	HT250U-Y and HT250YB			
		S-31929/2	2	HT250YS			

Continued on page 6

# HT Y-BEAM PARTS LIST



ITEM	DESCRIPTION	PART NO.	QTY. PER SUSP.	Model No. / Description
<b>16</b>	<b>LOWER SHOCK CLEVIS</b>			
	Roadside	S-20145-1	1	All HT250U-Y and HT250YS except for remote mt. axle mount
	Curbside	S-20145-2	1	All HT250U-Y and HT250YS except for remote mt. axle mount
	Remote axle mount	S-2723	2	HT250YB -7.5-DB2 -9-DB2
<b>17</b>	<b>SHOCK STRAP KIT</b> (not shown)			Includes strap and nylon tie
	For S-20002 shock absorber	S-14587-1	1	
	For S-21553 shock absorber	S-14587-8	1	
	For S-23651 shock absorber	C-23086-4	1	



Call Hendrickson at **330.489.0045** or **866.RIDEAIR (743.3247)** for additional information.



[www.hendrickson-intl.com](http://www.hendrickson-intl.com)

**TRAILER COMMERCIAL VEHICLE SYSTEMS**

2070 Industrial Place SE  
Canton, OH 44707-2641 USA  
866.RIDEAIR (743.3247)  
330.489.0045 • Fax 800.696.4416

**Hendrickson Canada**

250 Chrysler Drive, Unit #3  
Brampton, ON Canada L6S 6B6  
800.668.5360  
905.789.1030 • Fax 905.789.1033

**Hendrickson Mexicana**

Circuito El Marqués Sur #29  
Parque Industrial El Marqués  
Pob. El Colorado, Municipio El Marqués,  
Querétaro, México C.P. 76246  
+52 (442) 296.3600 • Fax +52 (442) 296.3601