

# TECHNICAL BULLETIN

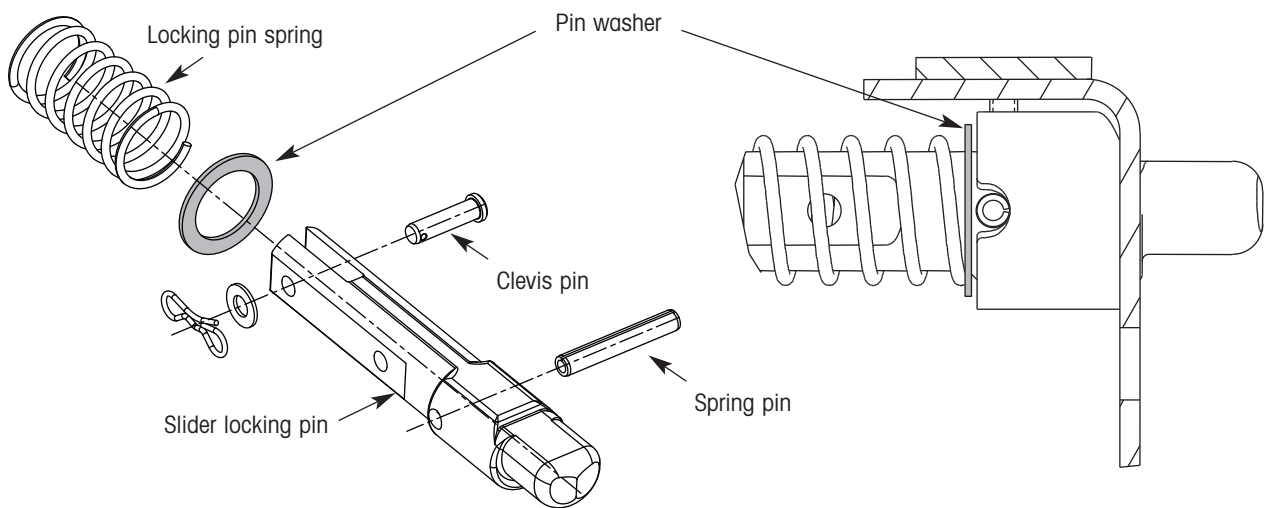
## VANTRAAX AND HK SLIDER SUSPENSION SYSTEMS

**SUBJECT:** Slider Pin Washer Installation

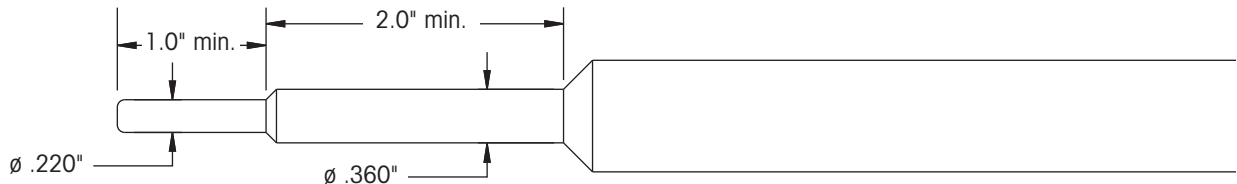
**LIT NO:** L1111

**DATE:** August 2008

The slider pin washer kit (part number S-30650) includes replacement locking pin springs, pin washers and related hardware. The pin washer is to be installed between the locking pin spring and locking pin as shown below.



To install the pin washer, the clevis pin and spring pin must be removed. With these pins removed, the slider locking pin can be pushed outboard through the slider frame rail and removed, along with the locking pin spring. A suggested tool to help remove the spring pin is shown below. Dimensions have been included so it can be fabricated locally (it is not available for purchase).



[www.hendrickson-intl.com](http://www.hendrickson-intl.com)

# HENDRICKSON

Hendrickson Canada  
250 Chrysler Drive, Unit #3  
Brampton, ON Canada L6S 6B6  
905.789.1030  
Fax 905.789.1033

Trailer Commercial Vehicle Systems  
2070 Industrial Place SE  
Canton, OH 44707-2641 USA

866.RIDEAIR (743.3247)  
330.489.0045  
Fax 800.696.4416

Hendrickson Mexicana  
Av. Industria Automotriz #200  
Parque Industrial Sliva Aeropuerto  
Apodaca, N.L., México C.P. 66600  
+52 (81) 8288 1300  
Fax +52 (81) 8288 1301