

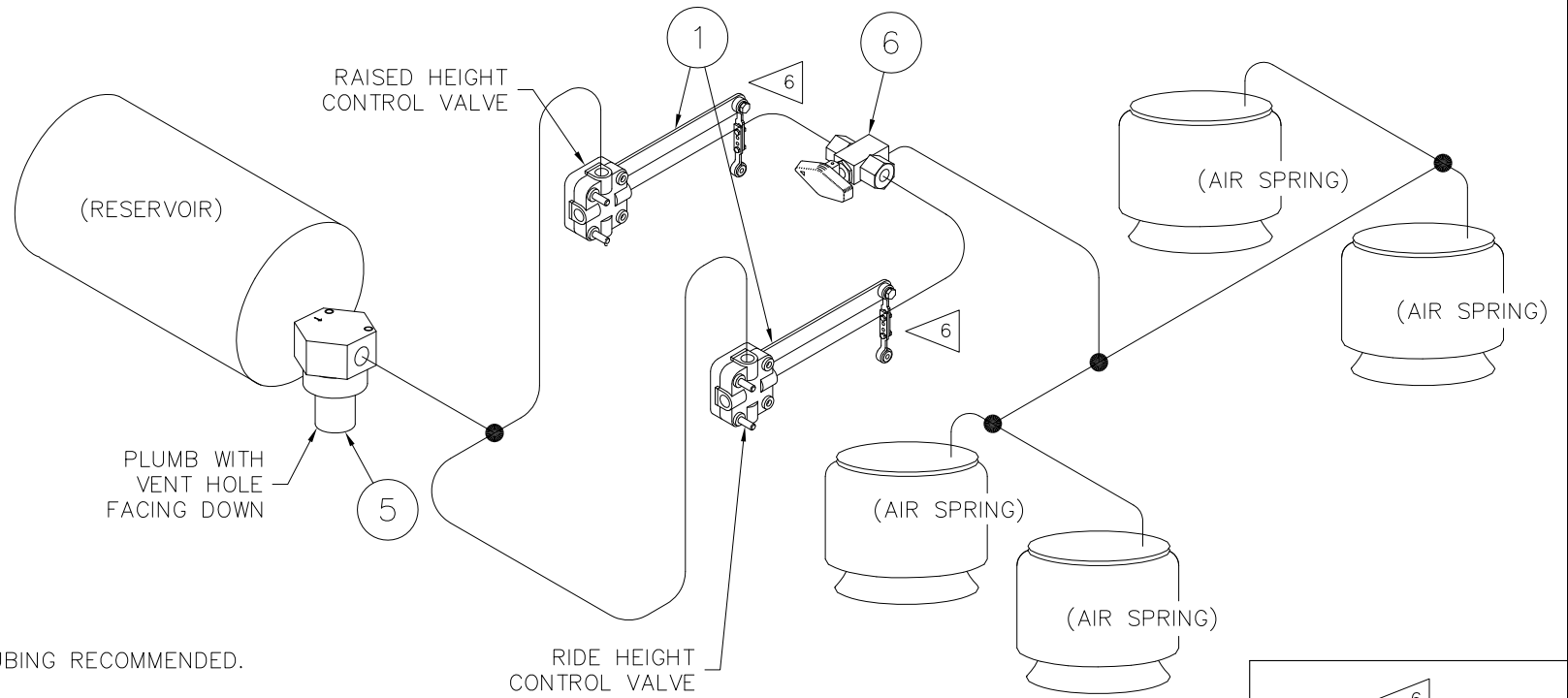
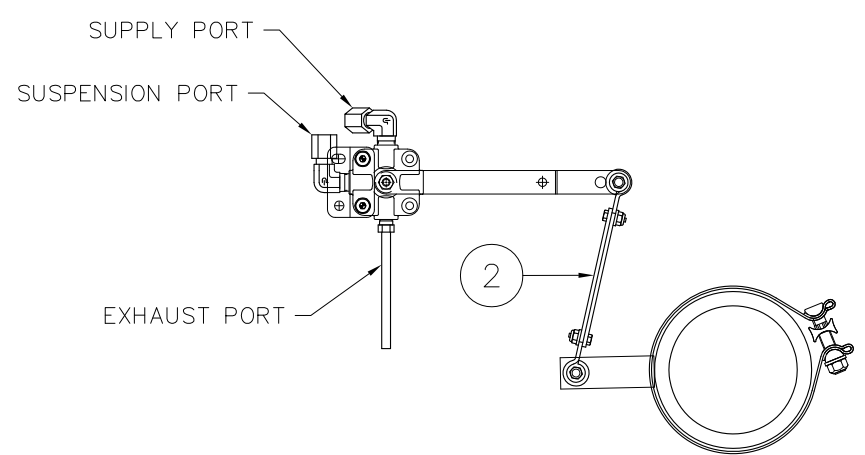
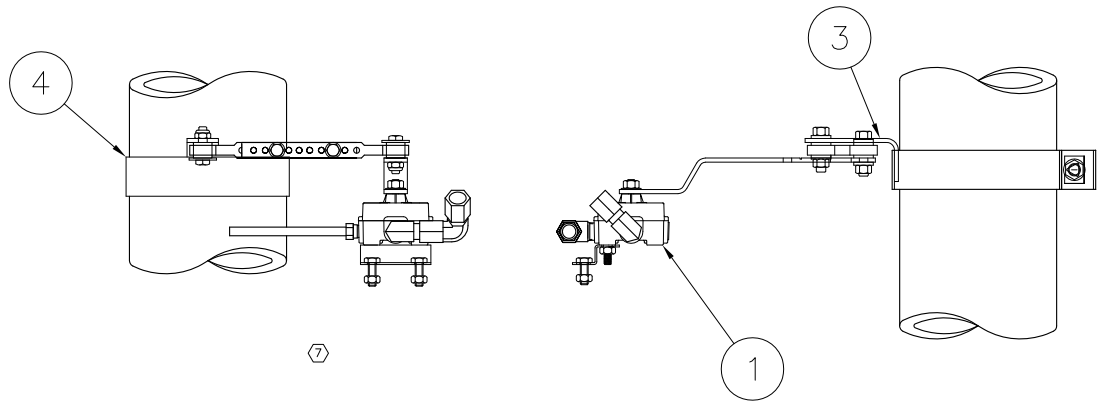
RIDE HEIGHT VALVE LINK LENGTH	
RIDE HEIGHT	LINK(INCHES)
6.50	3.50
7.50	3.50
8.00	3.50
9.00	3.50
12.00	6.25
14.00	5.50
15.00	6.25
16.00	9.25
17.00	10.00
19.00	10.00

RAISED HEIGHT VALVE LINK LENGTH	
RIDE HEIGHT	LINK(INCHES)
6.50	5.50
7.50	5.50
8.00	5.50
9.00	5.50
12.00	8.50
14.00	10.75
15.00	10.75
16.00	10.75
17.00	10.75
19.00	10.75

This Print remains the property of Hendrickson. All information contained thereon is confidential. It is loaned, subject to return on demand and on express condition that it is not to be copied or used directly or indirectly for any purpose other than the purpose for which it has been loaned to you.

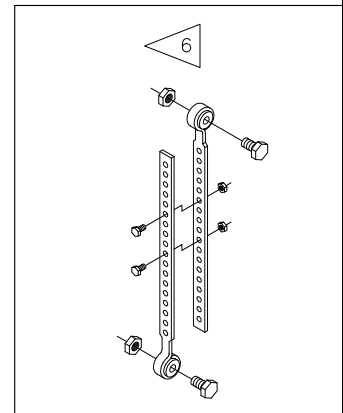
HCV WITHOUT DUMP			AKH0267-3
ITEM	PART NO.	DESCRIPTION	QTY.
1	A-28651	HCV - VALVE ONLY	2
2	A-14187	LINK ASSEMBLY - BOLTED	2
3	B-23293	HCV BRACKET	2
4	B-26593-1	CLAMP BAND	2
5	A-1128	PRESSURE PROTECTION VALVE	1
6	A-22535	3-WAY BALL VALVE	1
*7	DWG AKH0267	HIGH FLOW HCV KIT FOR AAZL W/ RAISE	1
*8	L-668	INSTALLATION INSTRUCTIONS	1
*9	A-34959	HCV SUB-KIT (#8)	2

\* NOT SHOWN WEIGHT (LB) 5.12

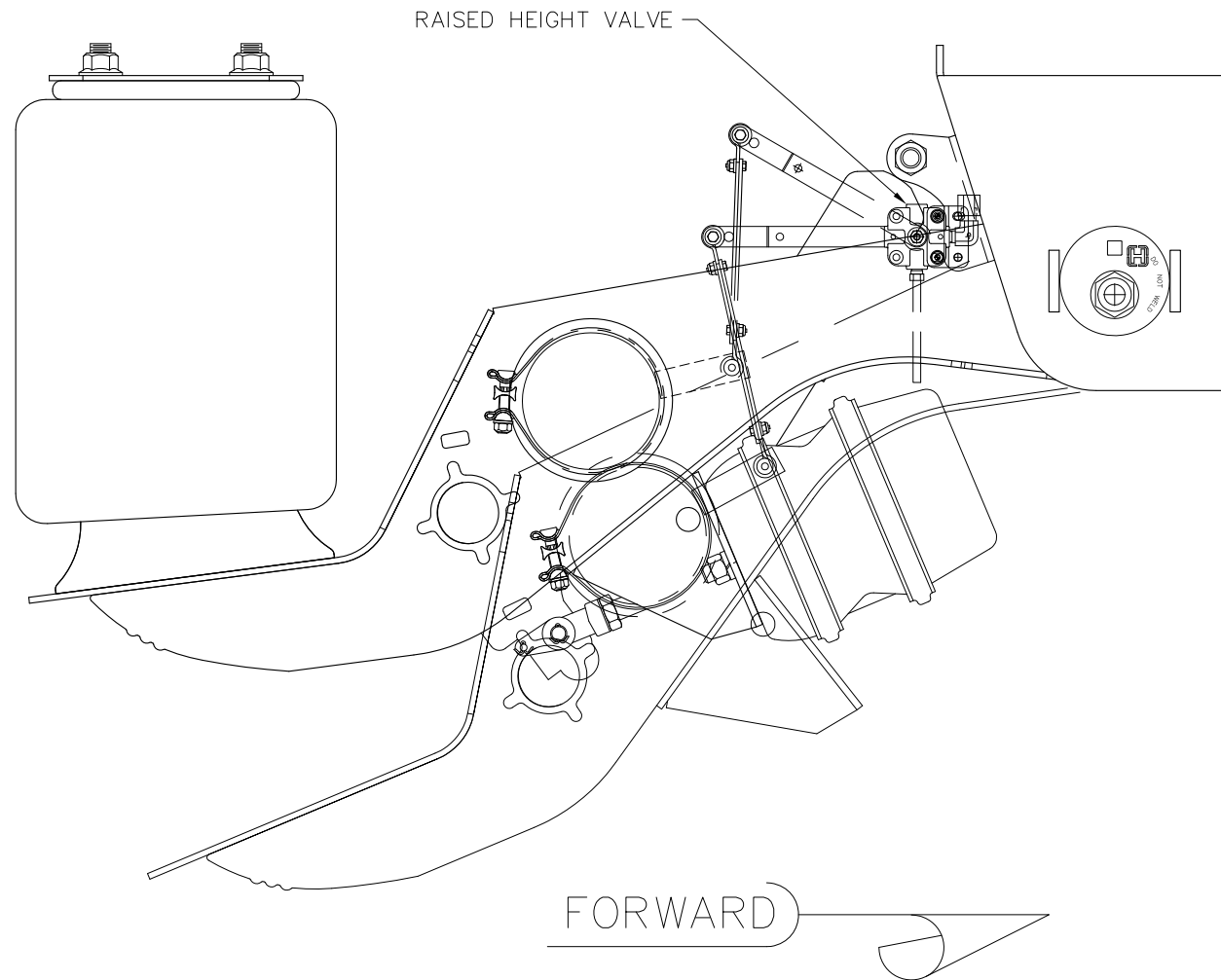
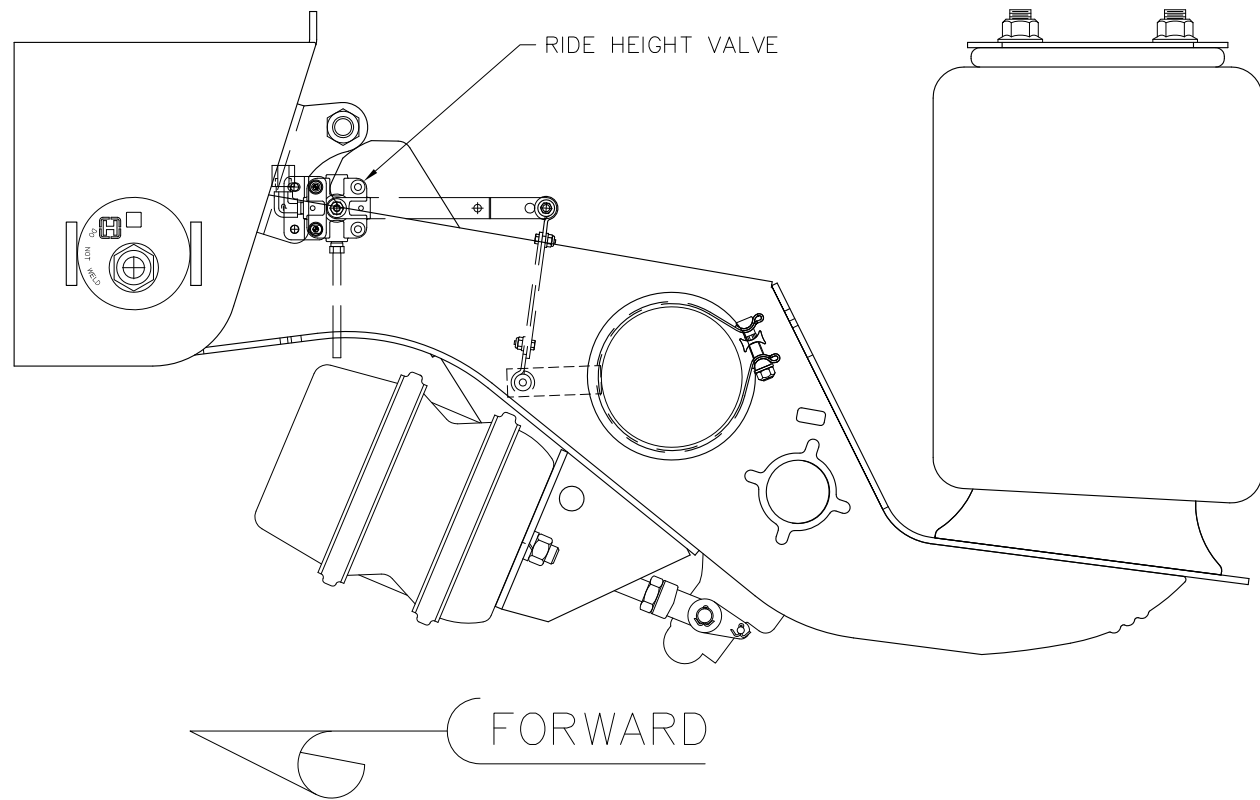
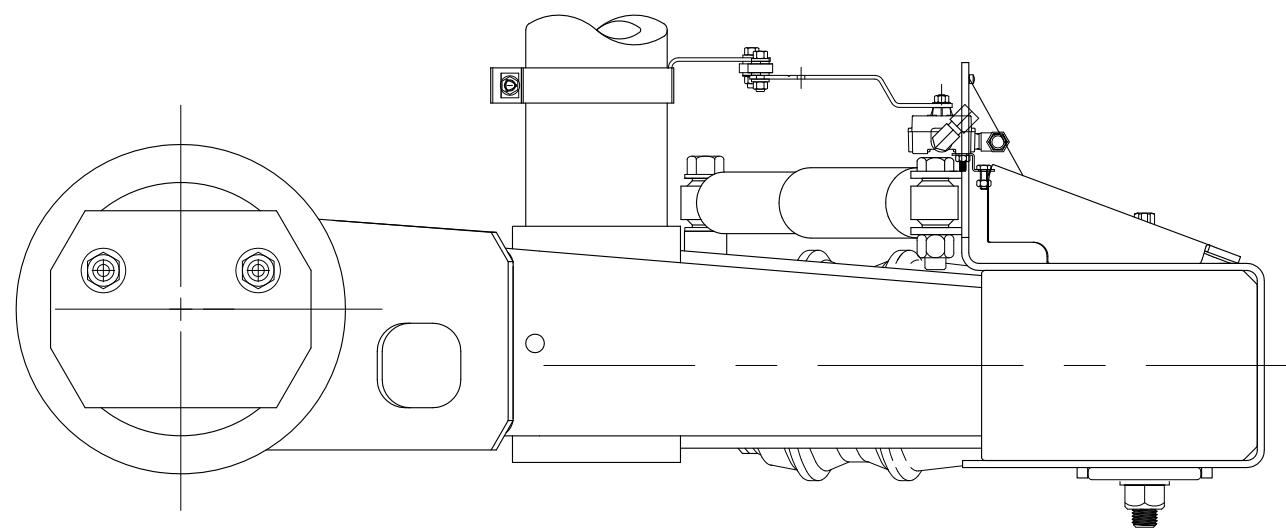
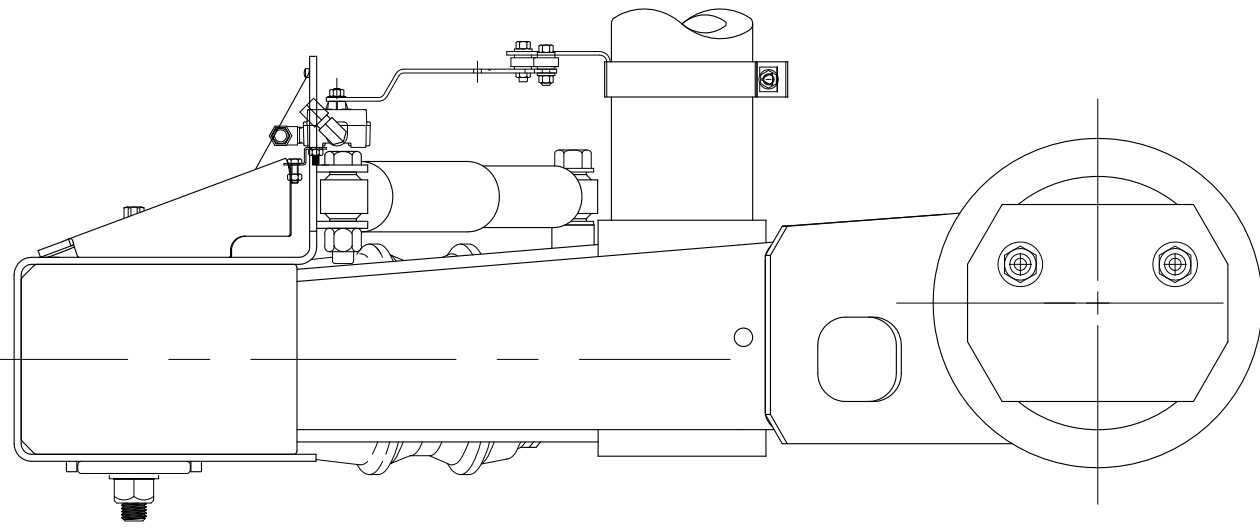


**NOTES:**

- DO NOT ADD LUBRICATION TO AIR SYSTEM.
- ALL CONNECTIONS MUST BE LEAK PROOF.
- AVOID BENDS IN AIR LINES.
- AIR LINE FITTINGS AND LINES TO BE FURNISHED BY INSTALLER. 3/8" O.D. POLYIMIDE TUBING RECOMMENDED.
- APPLICATION - TRAILERS USING AAZL SUSPENSION MODELS.
- TRIM & BOLT LINKS TO SPECIFIED LENGTH IN LINK CHART.
- AIR UP SUSPENSION UNTIL AXLE IS SET AT PROPER RIDE HEIGHT. INSERT LOCATING PIN IN HCV CONTROL ARM TO HOLD ARM IN NEUTRAL POSITION. ASSEMBLE LINKS TO THE LENGTH GIVEN IN THE TABLE. INSTALL ONE END OF THE LINK TO THE HEIGHT CONTROL VALVE. INSTALL BRACKET (ITEM 3) AND THE BAND CLAMP (ITEM 4) LOOSELY ON THE AXLE. ROTATE ITEMS 3 AND 4 TO LINE UP THE MOUNTING HOLE AND THE OTHER END OF THE LINK. INSTALL LINK FASTENER AND TIGHTEN NUT. TIGHTEN THE BAND CLAMP (ITEM 4) TO 45-60 FT-LB, BEING CAREFUL NOT TO CHANGE THE ORIENTATION OF ITEM 3. TURN THE MANUAL VALVE (ITEM 6) AND AIR UP THE SUSPENSION TO THE RAISED POSITION USING THE RAISED HEIGHT VALVE. REPEAT THE PROCESS FOR THE RAISED HEIGHT CONTROL VALVE. ONCE BOTH VALVES ARE INSTALLED, CYCLE THE SUSPENSION BETWEEN DUMPED AND RAISED POSITIONS MAKING SURE THAT THE CONTROL ARMS OF BOTH VALVES ARE CLEAR OF ANY OBSTACLES.
- ITEM 9 SHIPPED LOOSE IN A PLASTIC BAG.
- RECOMMENDED AIRLINE FITTING INSTALLATION TORQUE NOT TO EXCEED 7 FT-LB.



	UNLESS OTHERWISE NOTED: DIMENSIONS ARE IN INCHES				7 24284 DPB 5-29-15	DRAWN BY J.CERVANTEZ	DATE 3-18-03	SCALE .25=1.00 (SIZE) PAGE 1 OF 2 DRAWING No. AKH0267
	.X: ± .1 .XX: ± .06 .XXX: ± .030 ANGULAR: ± 0.5°				6 19076 PSO 8-16-10	CHK'D BY G. ANDERSON	THIS DRAWING IS THE CONFIDENTIAL PROPERTY OF HENDRICKSON	
TRAILER COMMERCIAL VEHICLE SYSTEMS 2070 INDUSTRIAL PLACE S.E., CANTON, OH 44707-2600 U.S.A.				5 18165 PSO 7-6-09	4 15714 CDR 6/15/07	APP'D BY J. WHITE	HIGH FLOW HCV KIT FOR AAZL WITH RAISE	



This Print remains the property of Hendrickson. All information contained thereon is confidential. It is loaned, subject to return on demand and on express condition that it is not to be copied or used directly or indirectly for any purpose other than the purpose for which it has been loaned to you.

	UNLESS OTHERWISE NOTED:		7	24284	DPB	5-29-15	DRAWN BY	J. CERVANTEZ	DATE	3-18-03	SCALE .25=1.00 (SIZE)	PAGE 2 OF 2 DRAWING No.
	TOLERANCES ARE:		6	19076	PSO	8-16-10	CHK'D BY	G. ANDERSON	THIS DRAWING IS THE CONFIDENTIAL PROPERTY OF HENDRICKSON	AKH0267		
.X: ± .1 .XX: ± .06 .XXX: ± .030 ANGULAR: ± 0.5°		DIMENSIONS ARE: INCHES		5	18165	PSO	7-6-09	APP'D BY:	J. WHITE			
DIMENSIONS ADHERE TO ANSI Y14.5M-1982		 3RD ANGLE PROJECTION		4	15714	CDR	6-15-07					
TRAILER COMMERCIAL VEHICLE SYSTEMS 2070 INDUSTRIAL PLACE S.E., CANTON, OH 44707-2600 U.S.A.				REV.	ECN NO.	BY	DATE					