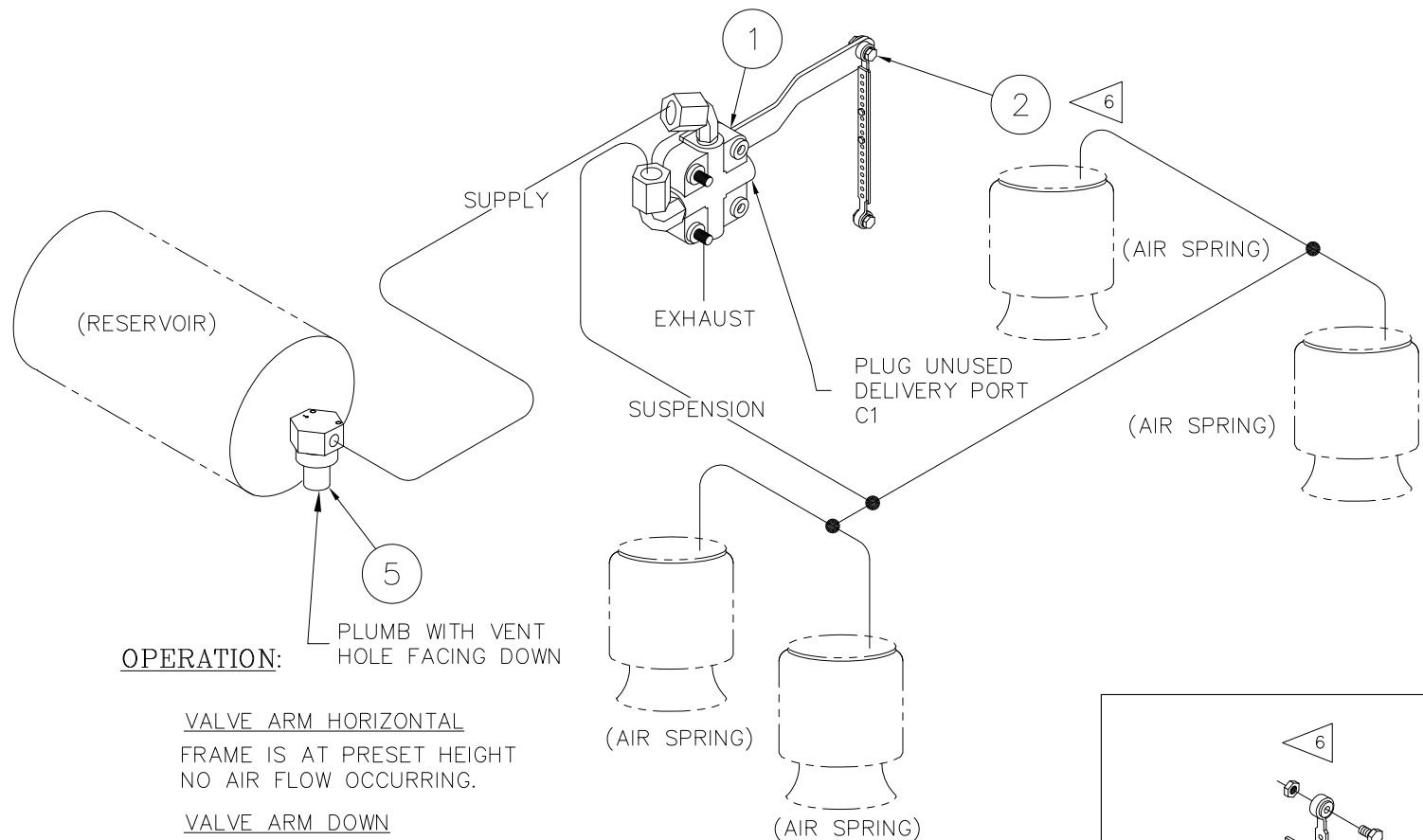
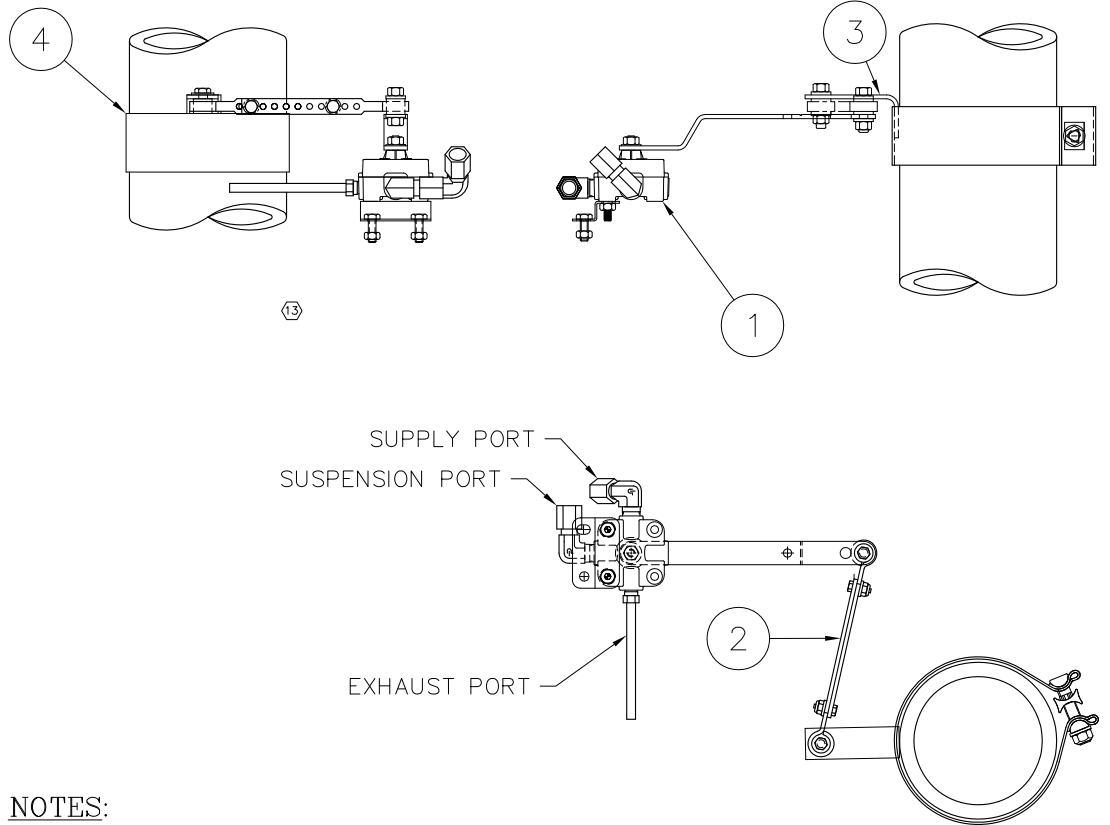


This Print remains the property of Hendrickson. All information contained thereon is confidential. It is loaned, subject to return on demand and on express condition that it is not to be copied or used directly or indirectly for any purpose other than the purpose for which it has been loaned to you.

LINK CHART	
RISE HEIGHT	LINK(INCHES)
6.50	3.50
7.50	3.50
9.00	3.50
10.00	3.50
11.00	6.25
12.00	6.25
14.00	5.50
15.00	6.25
16.00	9.25
17.00	10.00

HCV WITHOUT DUMP			AKH-235B-3	AKH-235-3
ITEM	PART NO.	DESCRIPTION	QTY.	QTY.
1	A-28651	HCV - VALVE ONLY	1	1
2	A-14187	LINK ASSEMBLY - BOLTED	1	1
3	B-23293	HCV BRACKET	1	1
4	B-26593-1	CLAMP, BAND	1	1
5	A-1128	PRESSURE PROTECTION VALVE	-	1
*6	DWG C-24911	HIGH FLOW HCV KIT FOR INTRAAX® UNDERSLUNG	1	1
*7	L-668	INSTALLATION INSTRUCTIONS	1	1
*8	A-34959	HCV SUB-KIT (#8)	1	1
WEIGHT:			2.26	2.56



- NOTES:**
- DO NOT ADD LUBRICATION TO AIR SYSTEM.
 - ALL CONNECTIONS MUST BE LEAK PROOF.
 - AVOID BENDS IN AIR LINES.
 - AIR LINE FITTINGS AND LINES TO BE FURNISHED BY INSTALLER. 3/8" O.D. POLYIMIDE TUBING RECOMMENDED.
 - APPLICATION - ALL TRAILERS USING INTRAAX® AAL, AAEDL, AND AAEDT SUSPENSION MODELS.
 - TRIM & BOLT LINKS TO SPECIFIED LENGTH IN LINK CHART.
 - AIR UP SUSPENSION UNTIL AXLE IS SET AT PROPER RIDE HEIGHT. INSERT LOCATING PIN IN HCV CONTROL ARM TO HOLD ARM IN NEUTRAL POSITION. INSTALL ONE END OF THE LINK TO THE HEIGHT CONTROL VALVE. INSTALL BRACKET (ITEM 3) AND THE BAND CLAMP (ITEM 4) LOOSELY ON THE AXLE. ROTATE ITEMS 3 AND 4 TO LINE UP THE MOUNTING HOLE AND THE OTHER END OF THE LINK. INSTALL LINK FASTENER AND TIGHTEN NUT. DO NOT OVER-TIGHTEN LINK FASTENER TO ALLOW THE LINK TO ROTATE FREELY. TIGHTEN THE BAND CLAMP (ITEM 4) TO 50-60 FT-LB, BEING CAREFUL NOT TO CHANGE THE ORIENTATION OF ITEM 3.

OPERATION:

VALVE ARM HORIZONTAL
FRAME IS AT PRESET HEIGHT
NO AIR FLOW OCCURRING.

VALVE ARM DOWN
FRAME IS HIGH, AIR SPRINGS
ARE EXHAUSTED UNTIL ARM
IS HORIZONTAL.

VALVE ARM UP
FRAME IS LOW, AIR SPRINGS
ARE INFLATED UNTIL ARM
IS HORIZONTAL.

FUNCTION:
AUTOMATIC HEIGHT CONTROL.



UNLESS OTHERWISE NOTED: TOLERANCES ARE: .X: ± .1 .XX: ± .06 .XXX: ± .030 ANGULAR: ± 0.5°	DIMENSIONS ARE: INCHES 3RD ANGLE PROJECTION	13 24284 DPB 6-2-15	12 19076 PSO 8-25-10	11 16040 PSO 10-12-07	10 15594 CDR 6-5-07	REV. ECN NO. BY DATE	13
---	---	---------------------	----------------------	-----------------------	---------------------	----------------------	----

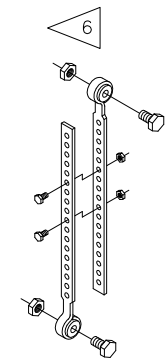
DRAWN BY L. WILSON
DATE 3-3-99
CHK'D BY 4-21-99 G. SHENKLE
APP'D BY J. CERVANTEZ

HIGH FLOW HCV KIT
FOR INTRAAX® UNDERSLUNG

SCALE .25=1.00 (SIZE)	PAGE 1 OF 3 DRAWING No.
-----------------------------	-------------------------------

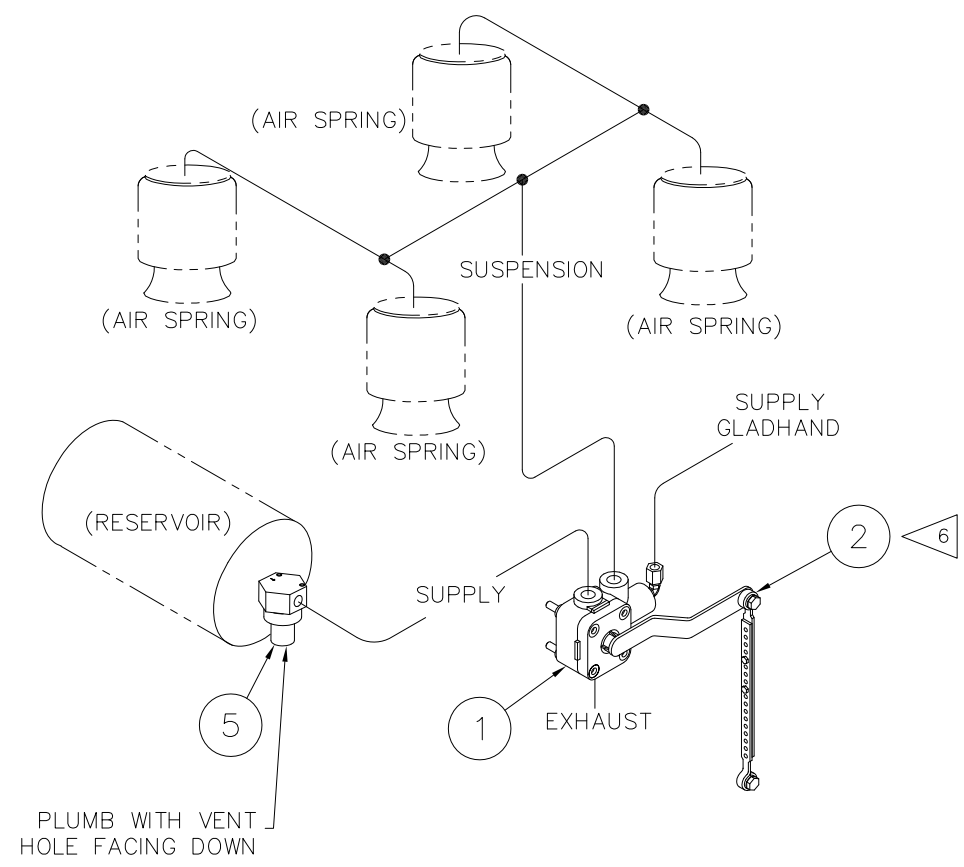
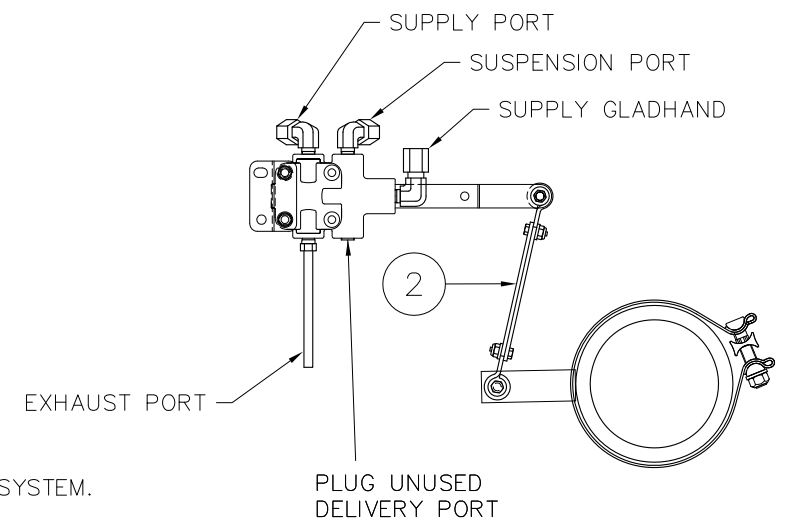
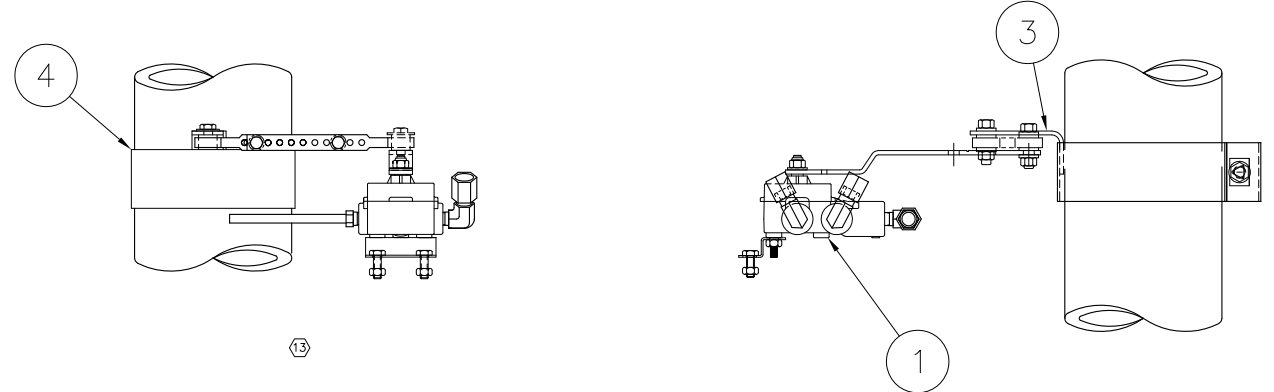
C-24911

This Print remains the property of Hendrickson. All information contained thereon is confidential. It is loaned, subject to return on demand and on express condition that it is not to be copied or used directly or indirectly for any purpose other than the purpose for which it has been loaned to you.



LINK CHART	
RISE HEIGHT	LINK(INCHES)
6.50	3.50
7.50	3.50
9.00	3.50
10.00	3.50
11.00	6.25
12.00	6.25
14.00	5.50
15.00	6.25
16.00	9.25
17.00	10.00

HCV WITH DUMP			AKHD-235-3
ITEM	PART NO.	DESCRIPTION	QTY.
1	A-29391	HCV W/DUMP	1
2	A-14187	LINK ASSEMBLY - BOLTED	1
3	B-23293	HCV BRACKET	1
4	B-26593-1	CLAMP, BAND	1
5	A-1128	PRESSURE PROTECTION VALVE	1
*6	DWG C-24911	HIGH FLOW HCV KIT FOR INTRAAX® UNDERSLUNG	1
*7	L-668	INSTALLATION INSTRUCTIONS	1
*8	L-373	CAUTION STICKER	1
*9	A-34960	HCV SUB-KIT (#9)	1
*10	A-29874	HCV SUB-KIT (#5)	1
* NOT SHOWN			WEIGHT: 3.01



- NOTES:**
- DO NOT ADD LUBRICATION TO AIR SYSTEM.
 - ALL CONNECTIONS MUST BE LEAK PROOF.
 - AVOID BENDS IN AIR LINES.
 - AIR LINE FITTINGS AND LINES TO BE FURNISHED BY INSTALLER. 3/8" O.D. POLYIMIDE TUBING RECOMMENDED.
 - APPLICATION - ALL TRAILERS USING INTRAAX® AAL, AAEDL, AND AAEDT SUSPENSION MODELS.
 - TRIM & BOLT LINKS TO SPECIFIED LENGTH IN LINK CHART.
 - AIR UP SUSPENSION UNTIL AXLE IS SET AT PROPER RIDE HEIGHT. INSERT LOCATING PIN IN HCV CONTROL ARM TO HOLD ARM IN NEUTRAL POSITION. INSTALL ONE END OF THE LINK TO THE HEIGHT CONTROL VALVE. INSTALL BRACKET (ITEM 3) AND THE BAND CLAMP (ITEM 4) LOOSELY ON THE AXLE. ROTATE ITEMS 3 AND 4 TO LINE UP THE MOUNTING HOLE AND THE OTHER END OF THE LINK. INSTALL LINK FASTENER AND TIGHTEN NUT. DO NOT OVER-TIGHTEN LINK FASTENER TO ALLOW THE LINK TO ROTATE FREELY. TIGHTEN THE BAND CLAMP (ITEM 4) TO 50-60 FT-LB, BEING CAREFUL NOT TO CHANGE THE ORIENTATION OF ITEM 3.

OPERATION:

VALVE ARM HORIZONTAL
FRAME IS AT PRESET HEIGHT
NO AIR FLOW OCCURRING.

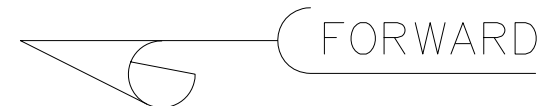
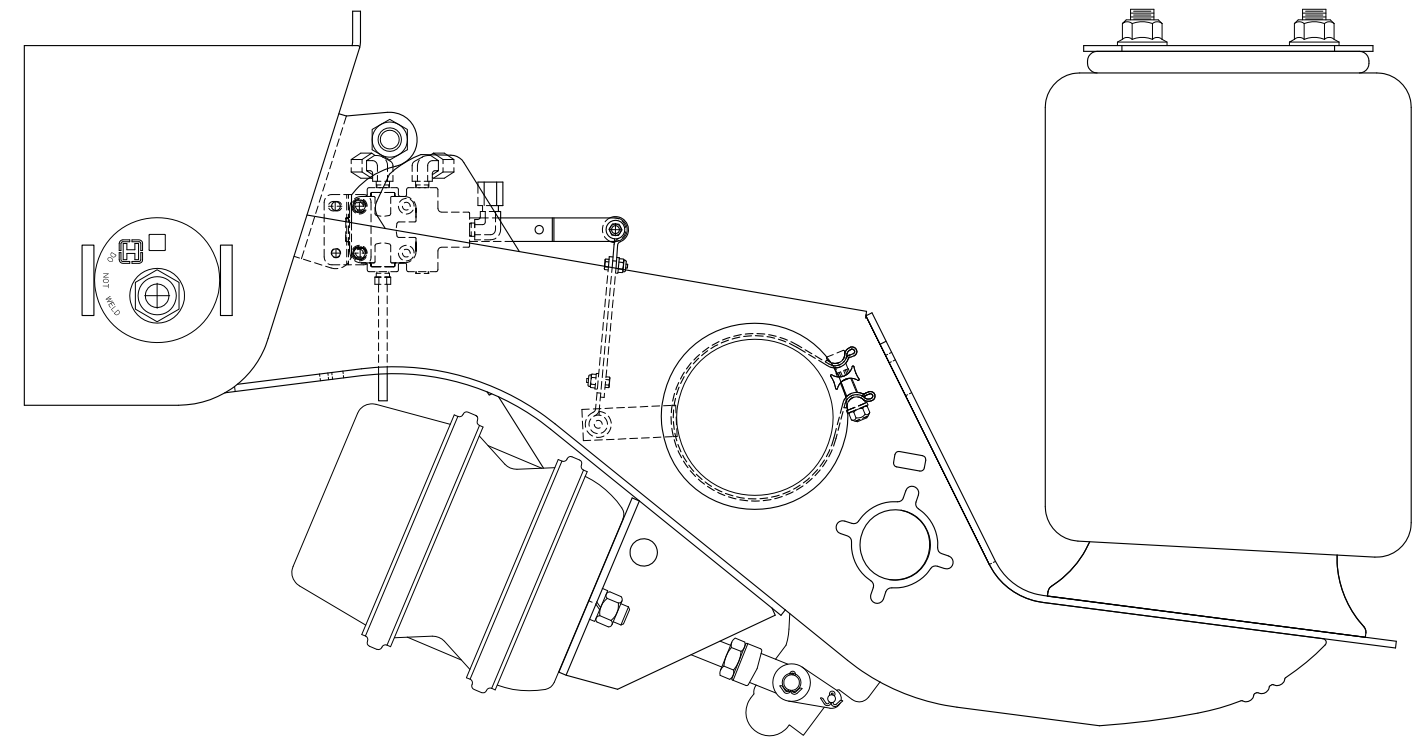
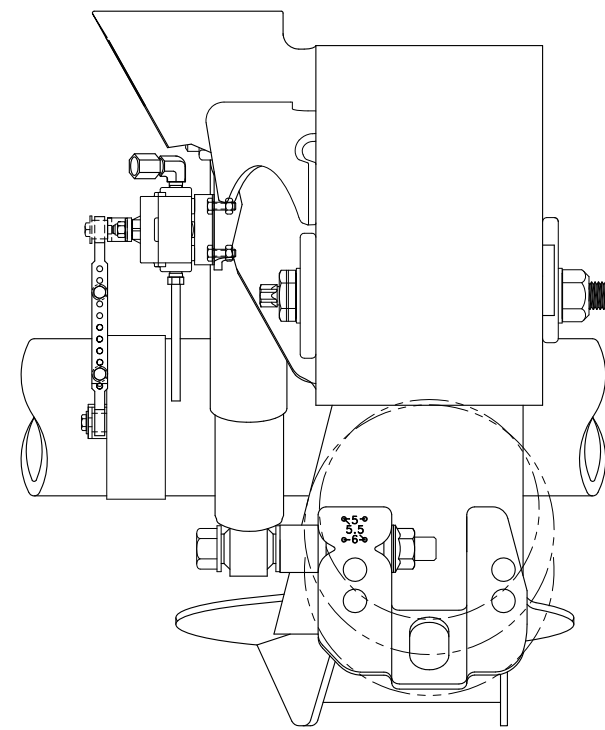
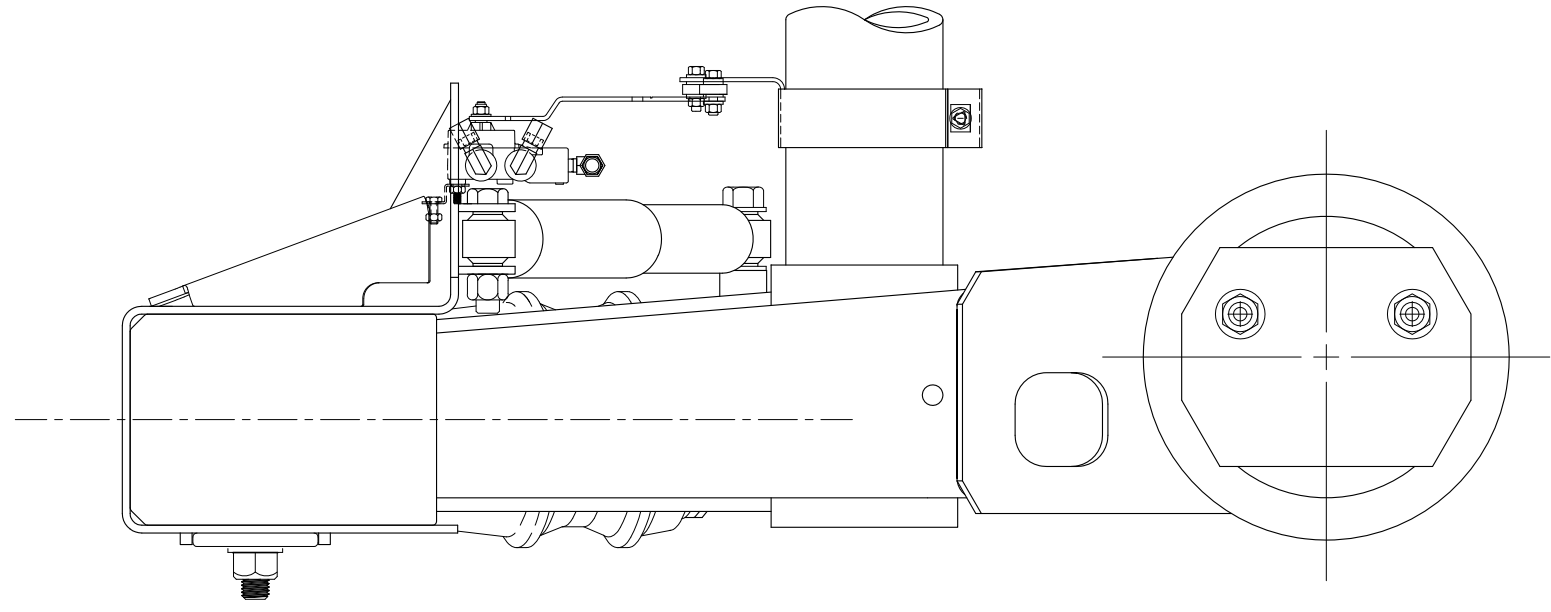
VALVE ARM DOWN
FRAME IS HIGH, AIR SPRINGS
ARE EXHAUSTED UNTIL ARM
IS HORIZONTAL.

VALVE ARM UP
FRAME IS LOW, AIR SPRINGS
ARE INFLATED UNTIL ARM
IS HORIZONTAL.

FUNCTION:
AUTOMATIC HEIGHT CONTROL.
AUTOMATIC SUSPENSION DUMP.

	UNLESS OTHERWISE NOTED:	13	24284	DPB	6-2-15	DRAWN BY	L. WILSON	DATE	3-3-99	SCALE	.25=1.00	PAGE	2 OF 3
	TOLERANCES ARE:	DIMENSIONS ARE:		INCHES	12	19076	PSO	8-25-10	CHK'D BY	4-21-99	G. SHENKLE	THIS DRAWING IS THE CONFIDENTIAL PROPERTY OF HENDRICKSON	
	.X: ± .1				11	16040	PSO	10-12-07	APP'D BY:	J. CERVANTEZ	HIGH FLOW HCV KIT FOR INTRAAX® UNDERSLUNG C-24911		
	.XX: ± .06				10	15594	CDR	6-5-07					
	.XXX: ± .030												
	ANGULAR: ± 0.5°												
	3RD ANGLE PROJECTION		DIMENSIONS ADHERE TO ANSI Y14.5M-1982		REV.	ECN NO.	BY	DATE					

This Print remains the property of Hendrickson. All information contained thereon is confidential. It is loaned, subject to return on demand and on express condition that it is not to be copied or used directly or indirectly for any purpose other than the purpose for which it has been loaned to you.



H. HENDRICKSON 

TRAILER COMMERCIAL VEHICLE SYSTEMS
2070 INDUSTRIAL PLACE S.E., CANTON, OH 44707-2600 U.S.A.

UNLESS OTHERWISE NOTED:		13	24284	DPB	6-2-15	DRAWN BY	L. WILSON	DATE	3-3-99
TOLERANCES ARE:		12	19076	PSO	8-25-10	CHK'D BY	4-21-99 G. SHENKLE	THIS DRAWING IS THE CONFIDENTIAL PROPERTY OF HENDRICKSON	
.X:	± .1	11	16040	PSO	10-12-07	APP'D BY:	J. CERVANTEZ		
.XX:	± .06	10	15594	CDR	6-5-07				
.XXX:	± .030								
ANGULAR:	± 0.5°								
DIMENSIONS ADHERE TO ANSI Y14.5M-1982									
3RD ANGLE PROJECTION									
REV.	ECN NO.	BY	DATE						

HIGH FLOW HCV KIT
FOR INTRAAX® UNDERSLUNG

SCALE	PAGE
.25=1.00 (SIZE)	3 OF 3 DRAWING No.
C-24911	