

H TECHNICAL BULLETIN

TIREMAAX™ TIRE INFLATION SYSTEM

SUBJECT: Spindle Plug Installation Depth

LIT NO: B113

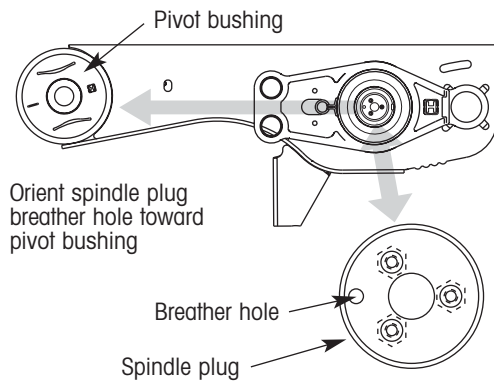
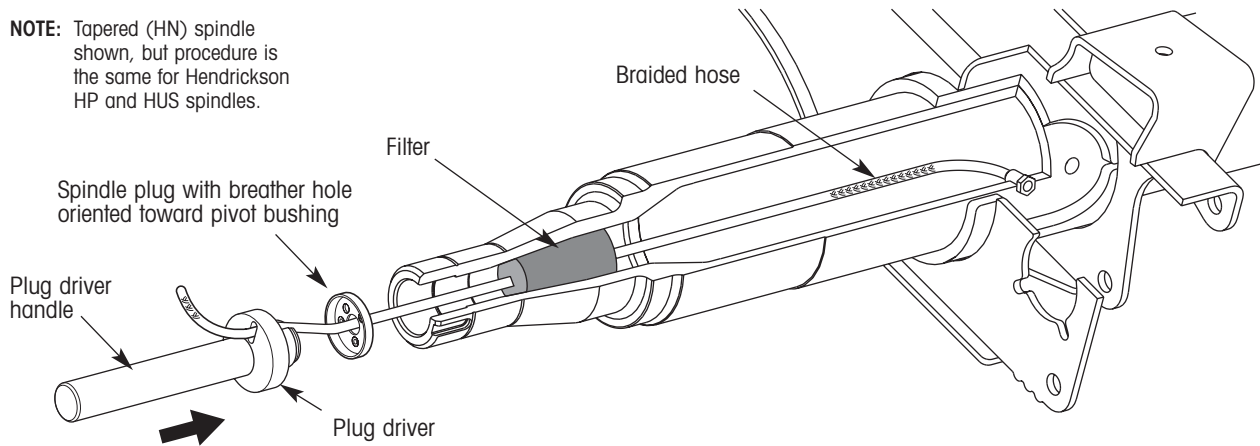
DATE: November 2004

When installing or servicing the TIREMAAX™ tire inflation system, pay close attention to the installation depth and orientation of the spindle plug. Installing the spindle plug to the correct depth within the spindle and in the proper orientation is important to tire inflation system performance and longevity.

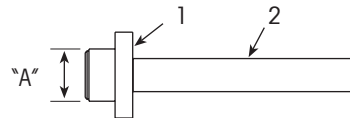
⚠ WARNING: IMPROPER SPINDLE PLUG INSTALLATION CAN CAUSE TIRE INFLATION SYSTEM AND / OR WHEEL-END FAILURE, LOSS OF VEHICLE CONTROL, SEVERE PERSONAL INJURY OR DEATH. USE THE FOLLOWING INSTRUCTIONS TO PROPERLY INSTALL THE SPINDLE PLUG.

Installing the spindle plug to the correct depth is simply a matter of using the right tool. Hendrickson Trailer Suspension Systems offers a tool that consistently delivers proper installation results. The tool, a plug driver

NOTE: Tapered (HN) spindle shown, but procedure is the same for Hendrickson HP and HUS spindles.



Plug Driver and Handle Assembly Ordering Information



Item	Name	Part Number	"A" Dimension	Spindle Type
1	Plug driver	S-28146-1	1.75 inches	HN
1	Plug driver	S-28146-2	2.50* inches	HP*
1	Plug driver	S-28146-3	2.75* inches	HP* & HUS
2	Plug driver handle	S-27399	—	—

* Before March 28, 2003, Hendrickson manufactured HP spindles with both 2.5" and 2.75" inner bore diameters. After that date, the HP spindle bore was standardized at 2.75".

Figure 1. Spindle plug installation using the plug driver tool

and handle assembly (figure 1), is used to properly set the depth of the spindle plug inside the spindle. To install the spindle plug with the tool, route the end of the braided hose through the center of the spindle plug and then route the braided hose through the slot in the plug driver (figure 1). Slide the spindle plug onto the driver and rotate the plug so the breather hole is oriented toward the pivot bushing, toward the front of the suspension (figure 1). Place the driver against the spindle and tap on the end of the plug driver handle with a hammer until the driver bottoms on the spindle. To obtain the plug driver and handle assembly, contact the Hendrickson customer service department at 866-RIDEAIR (743-3247) in the United States or at 800-668-5360 in Canada.

While the plug driver tool is the recommended method of installation, Hendrickson recognizes that the tool may not always be available or cost effective in every situation. For that reason, Hendrickson is providing the following spindle plug installation depth dimensions (figure 2). These dimensions can be used to install the spindle plug to the proper depth inside the spindle without the Hendrickson plug driver tool.

Consequences of Improper Installation

Installing the spindle plug either too deep or not deep enough in the spindle creates problems that could eventually cause a tire inflation system and/or wheel-end failure.

If the spindle plug is installed too deep in the spindle, the hose on the rotary joint assembly could rub against the spindle or the spindle nut system during operation, causing wear and an eventual wheel-end failure.

If the spindle plug is not installed deep enough in the spindle, the rotary joint assembly could contact or interfere with the hubcap during operation, causing wear and an eventual wheel-end failure.

Installing the spindle plug without the proper orientation also creates problems that could eventually cause a tire inflation system and/or wheel-end failure. The spindle plug should be installed with the breather hole pointing toward the pivot bushing. This helps prevent oil or other wheel-end lubricants from plugging the breather hole.

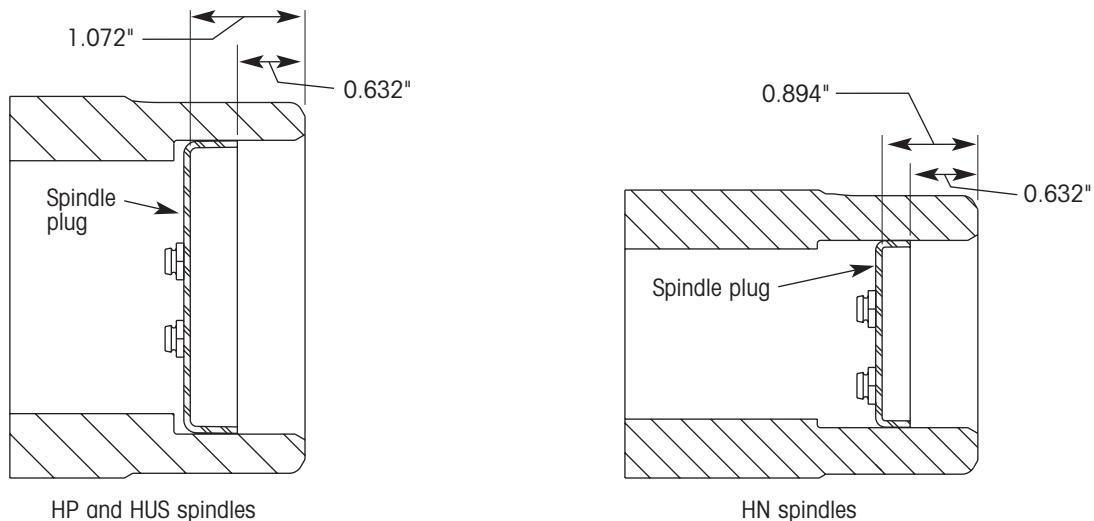


Figure 2. Spindle plug installation dimensions



Information contained in this literature was accurate at the time of publication. Product changes may have been made after the copyright date that are not reflected.

Trailer Suspension Systems
2070 Industrial Place SE
Canton, OH 44707-2600 USA

866.RIDEAIR (866.743.3247)
330.489.0045
Fax 800.696.4416

www.hendrickson-intl.com